

FEATURES & SPECIFICATIONS

INTENDED USE — Ideal where high brightness and high illumination levels are required such as retail, industrial and warehouse applications. **Certain airborne contaminants can diminish the integrity of acrylic and/or polycarbonate.** [Click here for Acrylic-Polycarbonate Compatibility table for suitable uses.](#)

ATTRIBUTES — Fixtures assembled with snap and screwed together components. Available in a variety of lengths and lamp configurations. Gripper-back design for superior strength and rigidity.

CONSTRUCTION — Constructed to comply with New York City electric code. Made in USA.

Sturdy channel cover secured by quarter-turn latch for tool-less access to wireway. Screw-on endplates.

Finish: Five-stage iron-phosphate pretreatment ensures superior paint adhesion and rust resistance.

Finish is high-gloss baked white polyester.

ELECTRICAL — Thermally protected, resetting, Class P, HPF, UL listed, CSA Certified ballast is standard. Energy saving and electronic ballasts are sound rated A.

Fixture is suitable for damp locations. AWM, TFN or THHN wire used throughout, rated for required temperatures.

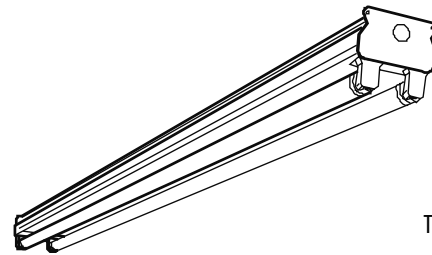
INSTALLATION — For unit or row installation, surface or suspended mounting. Channel connector furnished standard.

LISTINGS — UL Listed.

WARRANTY — 1-year limited warranty. Complete warranty terms located at: www.acuitybrands.com/support/warranty/terms-and-conditions

Note: Actual performance may differ as a result of end-user environment and application. Specifications subject to change without notice.

Catalog Number
Notes
Type



Heavy-Duty Strip

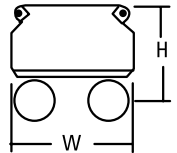
UNS NY

T8 & T8HO, ELECTRONIC BALLAST
2', 3', 4' OR 8' LENGTH
1 OR 2 LAMPS

Specifications

Length:	18 (457), 24 (610), 36 (914), 48 (1219) or 96 (2438)
Width:	4-3/8 (111)
Depth:	3 (76)

All dimensions are inches (centimeters) unless otherwise noted.



ORDERING INFORMATION

For shortest lead times, configure products using **bolded options**.

Example: UNS 2 96HO 120 GEB

UNS	Number of lamps	Lamp type	Voltage	Options
UNS Heavy-duty strip For tandem double-length unit, add prefix T. Example: TUNS	1 2 Not included.	17 17W T8 (24") 25 25W T8 (36") 32 32W T8 (48") 48T8 38W T8 (48") 48T8HO 60W T8 800MA (48") 96T8 59W T8 (96") 96T8HO 59W T8 800MA (96")	120 277 MVOLT¹	<u>Shipped installed in fixture</u> GEB10IS T8 electronic ballast, <10% THD, instant start EL Emergency battery pack (nominal 300 lumens), see Life Safety Section NY I.B.E.W. union made, NYC code compliant NY3 I.B.E.W. Local 3 union made

Accessories: Order as separate catalog number.

SQ_	Swivel stem hanger (specify length in 2" increments up to 48")
1B	Ceiling spacer, 1.5" to 2.5" from ceiling
HC36 M12	Hanger chain, 36" (1 pair)
THUN J2	Tong Hanger (1Pair)
HRUNS1 J2	Hooker™ T-bar hanger, 1.5" from ceiling (1 pair)
CSMR48	Symmetric reflector, 4' white ²
CASR48	Asymmetric reflector 4' white ²
WGCUN	Wireguard, 4' white ²

Notes

- MVOLT (120-277 volt).
- Order two for 8' fixtures. For strip channels only.

UNS T12, Low Bay Industrial

MOUNTING DATA

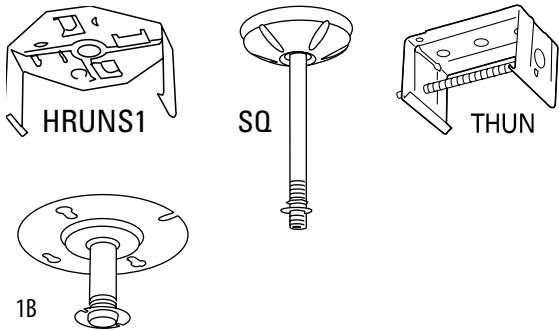
For unit or row installation, surface or suspended mounting. Use hanger appropriate for fixture width.

Unit installation — Minimum of two hangers required.

Row installation — One hanger per channel plus one per row required.

Hooker® (HRUNS1), HC36 and THUN Hangers — Minimum two per channel (unit and row).

See ACCESSORIES below for hanging devices.



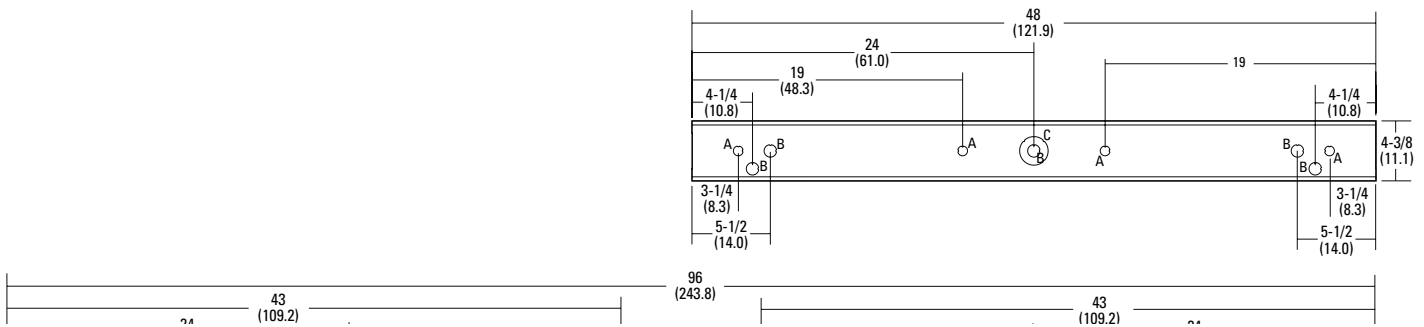
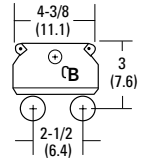
DIMENSIONS

Inches (centimeters). Subject to change without notice.

A = 11/16 (18) Dia. K.O.

B = 7/8 (22) Dia. K.O.

C = 2 (51) Dia. K.O.



PHOTOMETRICS

Calculated using the zonal cavity method in accordance with IESNA LM41 procedure. Floor reflectances are 20%. Lamp configurations shown (2 54T5HO) are typical. All data based on 25°C. Full photometric data on these and other configurations available upon request.

UNS 2 32

Report: LTL12571

LUMENS PER LAMP:2900

Luminaire Efficiency:92.8%

Coefficients of Utilization

FCR	pw	Coefficients of Utilization								
		80%			50%			30%		
		70%	50%	30%	50%	30%	10%	50%	30%	10%
0	106	106	106	93	93	93	86	86	86	
1	94	89	84	78	74	71	71	68	66	
2	84	76	68	66	61	56	60	56	52	
3	76	65	57	57	51	45	52	47	42	
4	69	57	48	50	43	38	46	40	35	
5	63	51	42	44	37	32	41	35	30	
6	58	45	36	40	33	28	37	31	26	
7	54	41	32	36	29	24	33	27	23	
8	50	37	29	33	26	21	30	24	20	
9	46	34	26	30	23	19	28	22	18	
10	43	31	23	28	21	17	26	20	16	

Zonal Lumen Summary

Zone	Lumens	% Lamp	% Fixture
0° - 30°	842	14.5	15.6
0° - 40°	1436	24.8	26.7
0° - 60°	2810	48.4	52.2
0° - 90°	4363	75.2	81.0
90° - 180°	1021	17.6	19.0
0° - 180°	5384	92.8	100.0

UNS 1 32

Report: LTL12570

LUMENS PER LAMP:3050

Luminaire Efficiency:93.3%

Coefficients of Utilization

FCR	pw	Coefficients of Utilization								
		80%			50%			30%		
		70%	50%	30%	50%	30%	10%	50%	30%	10%
0	108	108	108	95	95	95	88	88	88	
1	94	89	83	78	74	71	72	69	66	
2	85	75	68	66	61	56	61	56	52	
3	76	65	56	57	51	45	53	47	42	
4	69	57	48	50	43	38	46	40	35	
5	63	50	41	45	37	32	41	35	30	
6	58	45	36	40	33	27	37	31	26	
7	54	41	32	36	29	24	34	27	23	
8	50	37	28	33	26	21	31	25	20	
9	47	34	26	30	24	19	28	22	18	
10	44	31	23	28	21	17	26	20	16	

Zonal Lumen Summary

Zone	Lumens	% Lamp	% Fixture
0° - 30°	455	14.9	16.0
0° - 40°	770	25.3	27.1
0° - 60°	1490	48.8	52.4
0° - 90°	2393	78.5	84.1
90° - 180°	452	14.8	15.9
0° - 180°	2846	93.3	100.0