

FEATURES & SPECIFICATIONS

INTENDED USE — Low-profile static luminaire provides general illumination for recessed applications; ideal for restricted plenum spaces. **Certain airborne contaminants can diminish integrity of acrylic.** [Click here for Acrylic Environmental Compatibility table for suitable uses.](#)

CONSTRUCTION — Smooth hemmed sides and smooth, inward formed end flanges for safe handling. Lighter weight fixture allows for safe, easy installation.

Standard steel door frame has superior structural integrity with premium extruded appearance and precision flush mitered corners. Steel door allows easy lens replacement without frame disassembly (for lenses up to .156" thick). Powder painted, steel latches provide easy, secure door closure.

Superior mechanical light seal requires no foam gasketing. Integral T-bar clips secure fixture to T-bar system. Housing formed from cold-rolled steel. Acrylic shielding material 100% UV stabilized. No asbestos is used in this product.

Designed exclusively for use with T8 lamps, electronic ballasts and sockets.

Finish: Five-stage iron-phosphate pretreatment ensures superior paint adhesion and rust resistance. Painted parts finished with high-gloss, baked white enamel.

ELECTRICAL — Standard ballast is electronic, thermally protected, resetting, Class P, HPF, non-PCB, UL Listed, CSA certified ballast, universal voltage and sound rated A.

Luminaire is suitable for damp locations. AWM, TFN or THHN wire used throughout, rated for required temperatures.

MVOLT ballasts are. Full light output - reduced energy. Less than 10% THD. Multi-volt operation, 120-277V.

LISTING — Standard: CUL/CSA.

WARRANTY — 2-year limited warranty. Complete warranty terms located at www.acuitybrands.com/CustomerResources/Terms_and_conditions.aspx

US patents: 6,210,025; 6,231,213; 2,288,471.

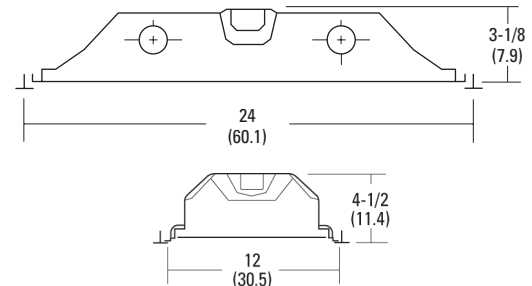
Actual performance may differ as a result of end-user environment and application.

Specifications subject to change without notice.

Catalog Number
Notes
Type

Contractor Select

Troffers CUL/CSA



<i>GT Specifications</i>	<i>2GT 2x2 Specifications</i>	<i>2GT 2x4 Specifications</i>
Length: 48 (121.9)	Length: 24 (60.1)	Length: 48 (121.9)
Width: 12 (30.5)	Width: 24 (60.1)	Width: 24 (60.1)
Depth: 4-1/2 (11.4)	Depth: 3-1/8 (7.9)	Depth: 3-1/8 (7.9)

All dimensions are inches (centimeters).

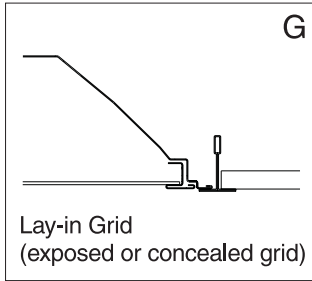
ORDERING INFORMATION

Catalog Number	UPC	Description	# of Lamps ¹	Length	Wattage	# of Ballast	Voltage	Ballast Type	Pallet Qty	Standard Carton Qty
GT2 MV CSA	745975421336	2x4 Troffer	2	48"	32	1	120-277	Electronic, Instant Start	28	1
GT3 MV CSA	745975421367	2x4 Troffer	3	48"	32	1	120-277	Electronic, Instant Start	28	1
GT4 MV CSA	745975422173	2x4 Troffer	4	48"	32	1	120-277	Electronic, Instant Start	28	1
GT2U MV CSA	745975506804	2x2 Troffer	2	24"	32	1	120-277	Electronic, Instant Start	56	1
1GT2 MV CSA	745976424275	1x4 Troffer	2	48"	32	1	120-277	Electronic, Instant Start	40	1

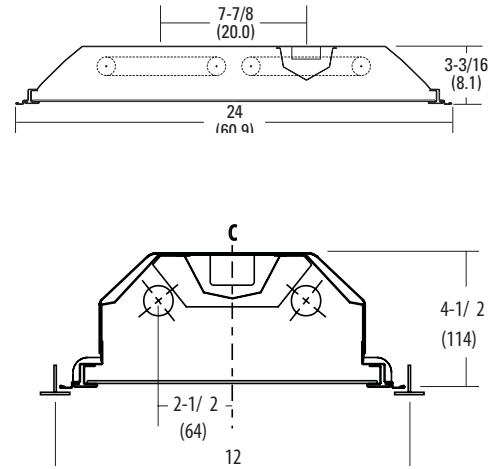
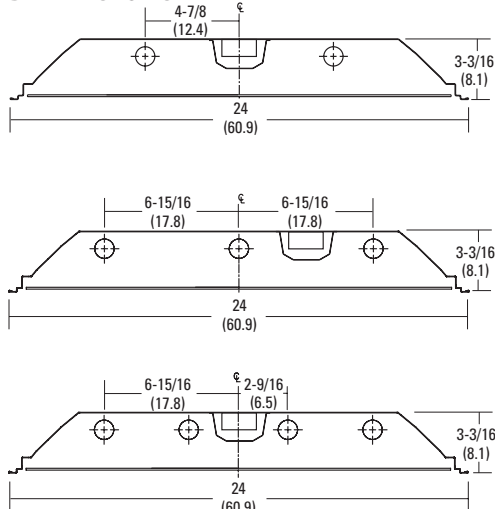
Notes
¹ Lamps not included.

Troffers CSA

MOUNTING DATA



DIMENSIONS



PHOTOMETRICS

Calculated using the zonal cavity method in accordance with IESNA LM41 procedure. Floor reflectances are 20%.
Lamp configurations shown are typical. Full photometric data on these and other configurations available upon request.

GT2U MV CSA

Report LTL 7534

Lumens per lamp - 2600 – Lum. eff. - 72.9%

S/MH (along) 1.2 (across) 1.4

Coefficient of Utilization

Ceiling	80%			70%			50%		
	70%	50%	30%	70%	50%	30%	50%	30%	10%
0	87	87	87	85	85	85	81	81	81
1	80	77	74	78	75	72	72	70	68
2	73	68	63	71	66	62	64	60	57
3	67	60	54	65	59	54	57	52	49
4	62	54	48	60	53	47	51	46	42
5	57	48	42	56	47	42	46	41	37
6	53	44	37	52	43	37	42	36	32
7	49	40	34	48	39	33	38	33	29
8	46	36	30	45	36	30	35	30	26
9	43	33	28	42	33	27	32	27	23
10	40	31	25	39	30	25	30	25	21

GT3 MV CSA

Report LTL 7421

Lumens per lamp - 2850 – Lum. eff. - 80.1%

S/MH (along) 1.2 (across) 1.4

Coefficient of Utilization

Ceiling	80%			70%			50%		
	70%	50%	30%	70%	50%	30%	50%	30%	10%
0	95	95	95	93	93	93	89	89	89
1	88	84	81	85	82	79	79	76	74
2	80	74	69	78	72	68	70	66	62
3	74	66	59	72	64	58	62	57	53
4	68	58	52	66	57	51	55	50	46
5	62	52	45	61	52	45	50	44	40
6	58	47	40	56	47	40	45	39	35
7	54	43	36	52	42	36	41	35	31
8	50	39	33	49	39	32	38	32	28
9	47	36	30	45	36	29	35	29	25
10	44	33	27	43	33	27	32	27	23

1GT2 MV CSA

Report LTL 12536

Lumens per lamp - 2850 – Lum. eff. - 77.7%

Coefficient of Utilization

Ceiling	pf	80%			20%			30%		
		70%	50%	30%	50%	30%	10%	50%	30%	10%
0	92	92	92	86	86	86	83	83	83	
1	85	82	79	77	74	72	74	72	70	
2	78	72	67	68	64	61	66	63	60	
3	72	64	58	61	56	52	59	55	51	
4	66	58	51	55	50	45	53	48	45	
5	61	52	45	49	44	40	48	43	39	
6	57	47	40	45	39	35	44	39	35	
7	53	43	36	41	36	32	40	35	31	
8	49	39	33	38	32	28	37	32	28	
9	46	36	30	35	30	26	34	29	26	
10	43	33	28	32	27	24	32	27	23	

Zonal Lumens Summary

Zone	Lumens	%Lamp	%Fixture
0-30	1191	22.9	31.4
0-40	1950	37.5	51.4
0-60	3220	61.9	84.9
0-90	3793	72.9	100.0
90-180	0	0	0
0-180	3793	72.9	100.0

Zonal Lumens Summary

Zone	Lumens	%Lamp	%Fixture
0-30	2066	24.2	30.2
0-40	3412	39.9	49.8
0-60	5768	67.5	84.2
0-90	6851	80.1	100.0
90-180	0	0	0
0-180	6851	80.1	100.0

Zonal Lumens Summary

Zone	Lumens	%Lamp	%Fixture
0-30	1471	25.8	33.2
0-40	2347	41.2	53.0
0-60	3777	66.3	85.3
0-90	4426	77.7	100.0
90-180	0	0	0
0-180	4426	77.7	100.0