

COMPACT 100A Raintight Loadcenter



RCCPL104A
(with cover closed)



RCCPL104A
(with cover opened)

4 circuit design in a space reduced enclosure

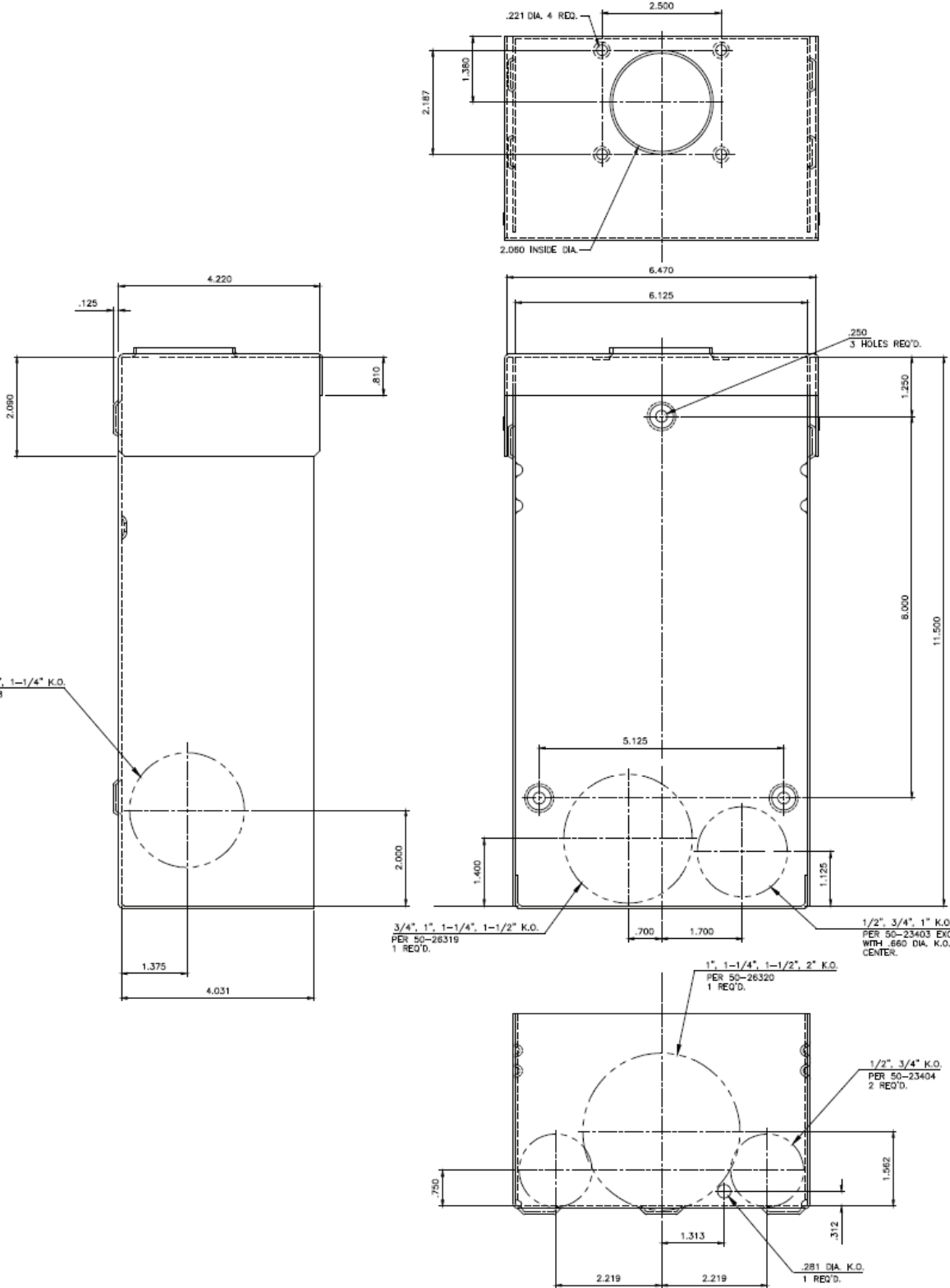
Our single phase, three wire, 100A, 4/8 circuit compact style raintight loadcenter is now 40% smaller in overall size compared with the legacy design. This loadcenter is in a Type 3R rated enclosure and is suitable for overhead and underground application.

Description	Catalogue Number
	RCCPL104A
Voltage (V)	120/240V
UPC	786689212605
Amperes (A)	125A MAX
Poles	1PH 3Wire
Circuits	4/8
Frequency (Hz)	60
Certification	CSA, UL
Enclosure	Type 3R (outdoor)
Size (Inches)	11.50" x 6.50" x 4.0"



Powering Business Worldwide

1/2", 3/4", 1", 1-1/4" K.O.
PER 50-26318
2 REQ'D.



Eaton
1000 Eaton Boulevard
Cleveland, Ohio 44122

Canadian Operations
5050 Mainway
Burlington, ON L7L 5Z1
Canada
1-800-268-3578
EatonCanada.ca

© 2019 Eaton
All Rights Reserved
Printed in Canada
Publication No. SA005015EN
October 2019

Eaton is a registered trademark
of Eaton Corporation.
All trademarks are property of their
respective owners.



Powering Business Worldwide