

EMT

Steel Set Screw Space Saver Connectors

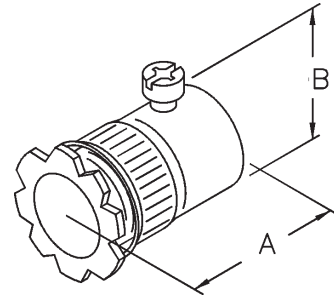
Features:

- Affords additional wiring room in junction boxes and eliminates the need for costlier insulated throat fittings and/or conduit bushings
- Excellent for low voltage applications
- Pre-set & staked tri-head screws
- Heavy steel walls
- Concrete tight when taped
- RoHS compliant

Standard Materials:
Steel

Standard Finish:
Zinc plated

Applicable Third Party Standards:
UL Standard: 514B
Fed. Spec. W-F-408E
NEMA: FB-1



CATALOG NUMBER	TRADE SIZE	KO SIZE	DIM A	DIM B	PCS/UNITS PER BOX	WEIGHT PER C
NSSC-05	1/2"	1/2"	7/8"	1-3/16"	432	7.8
NSSC-07	3/4"	3/4"	1-1/16"	1-1/2"	270	10.9
NSSC-10	1"	1"	1-5/16"	1-5/8"	180	15.5



Wiring room using Space Saver steel connectors.



Wiring room using conventional steel connectors.

