

Project	
Date	
Prepared By	
Model #	LDFP1X442CSD5

Specifications

ELECTRICAL

Watts: 40
Voltage: 100-347VAC
Power Factor: 0.9107
THD: 20.11 %
Operating Temp. Range:
 -40°C (-40°F) - 40°C (104°F)

LIGHT

Initial Lumens: 4200
Lumens per Watt: 105
Color Temperature:
 3500K, 4000K, 5000K
CRI: 82.9
Dimming: 0-10V
Dimming Range: 0-100%

AGENCY APPROVALS

DLC® Standard: Yes
ETL/FCC: Yes
IC Rated: Yes

PRODUCT DETAILS

Lens Material: Acrylic
Rated Life: 50,000 hrs.
Warranty: 5 years
Weight: 5.46 LBS
Dimensions:
 47.72" Length
 11.85" Width
 1.5" Depth

Back Lit LED Panel 1x4

4200 Lumens, 40 Watt, CCT Selectable



ORDER CODE:

11257

MODEL NUMBER:

LDFP1X442CSD5

DLC PRODUCT ID:

PLICL9WZ5S3B

REBATE AVAILABILITY*

PRODUCT DESCRIPTION

This 1x4 LED back-light design features three color selectable operation. Switch between 3500K, 4000K and 5000K easily at the time installation. This 1x4 panel provides high energy-efficient direct illumination and delivers 4200 lumens using only 40 watts to replace troffer and panel fixtures ceiling applications. The lightweight housing and slim design, measures only 1.5 inches in depth. The integral j-box and driver housing provide ample access for easy installation. The fixture is constructed using stamped steel back plate that provides excellent LED cooling as well as contributing rigidity to the design. The interior of the fixture is highly reflective white powder coated. The direct illumination panel is ideal for use in offices, schools, healthcare facilities and other commercial applications. This 1x4 panel features 100-347V voltage operation with an electronic driver that works with 0 – 10 volt dimming systems. DLC® rated product.

PRODUCT FEATURES

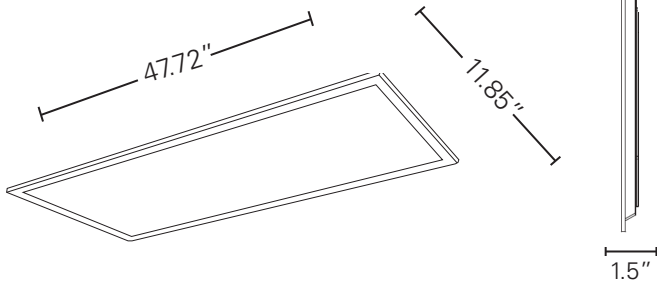
- + 100-347VAC 50-60Hz
- + DLC® rated product, operating at 105 lumens per watt
- + Direct illumination provides true color over the life of the product
- + Driver standard with 0-10V dimming (prewired)
- + Fixture interior painted white for over 96% reflectivity
- + Contractor friendly box for easy installation
- + Select from 3500K, 4000K and 5000K at installation with a simple switch located on the driver
- + Aluminum fram fits properly in drop ceiling panels
- + Extended 10 year limited warranty available
- + Integral LED lens is constructed from PMMA and provides even illumination across the face of the panel

APPLICATIONS

- + Offices
- + Schools
- + Healthcare Facilities
- + Commercial Applications

Please consult installation instructions for proper application and use of this fixture.

PRODUCT DIMENSIONS



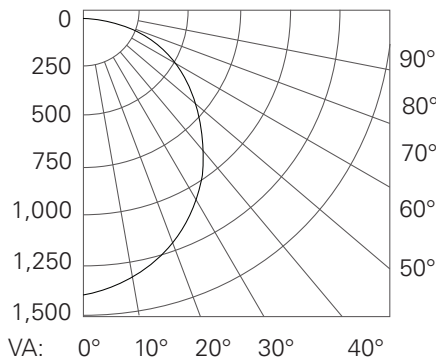
PACKAGE DETAILS

Dimensions:
47.99" Length x 12.48" Width x 2" Depth

Weight: 7.5 LBS

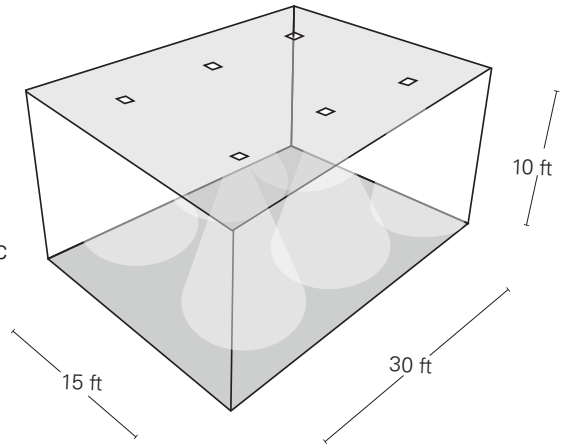
UPC: 840791112571

LIGHT DISTRIBUTION CURVE

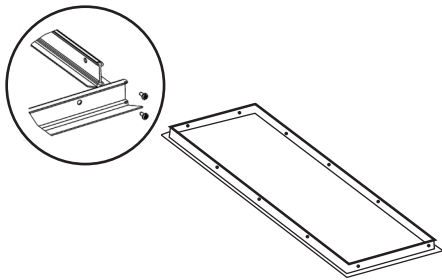


LIGHTING LAYOUT

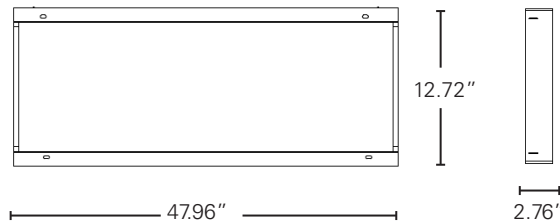
Average Illuminance: 43 fc
Number of Luminaires: 6
Workplane Height: 2.5 ft



OPTIONAL ACCESSORIES



Recessed Drywall Kit
Order Code: 11103



Surface Mount Kit
Order Code: 11531



External Emergency Backup Unit
Order Code: 11469

* Wire Hanging Kit Available - Order code: 10464

Easily access our DLC qualified products with rebates in your area.

ACCESS IT HERE: [Rebate Finder - Backlit LED Panel](#)

www.earthtronics.com/rebate-finder/catalog/

