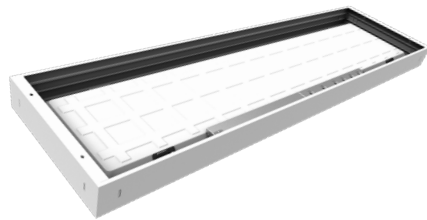
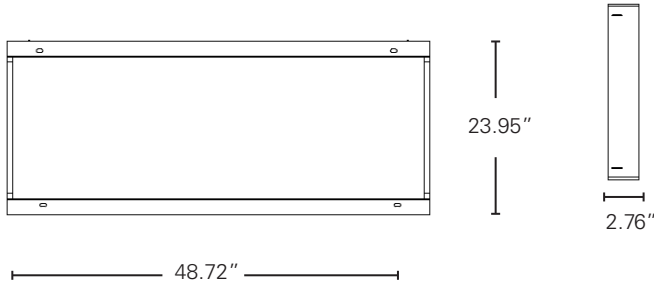


Project	
Date	
Prepared By	
Model #	

Surface Mount Kit

LED Back Light Panel

1x4 - 11531



PRODUCT INFORMATION

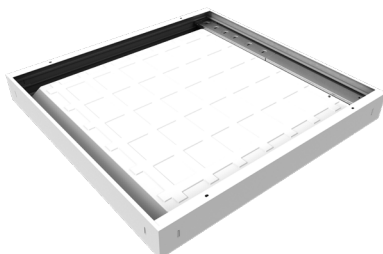
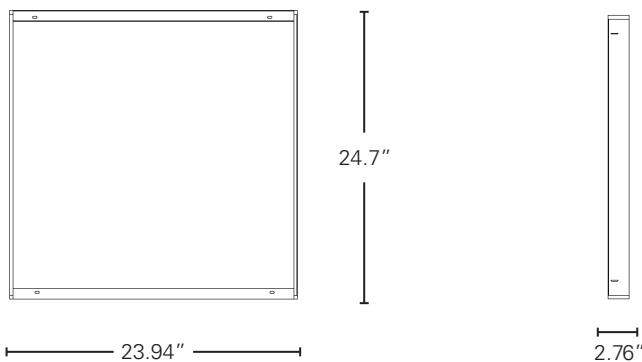
Description: Surface Mount Kid for 1x4 Flat Panels

Material: Aluminum

Dimensions: 48.72" x 23.95" with profile 2.76"

Weight: 2.2 lbs

2x2 - 11530



PRODUCT INFORMATION

Description: Surface Mount Kid for 1x4 Flat Panels

Material: Aluminum

Dimensions: 23.94" x 24.7" with profile 2.76"

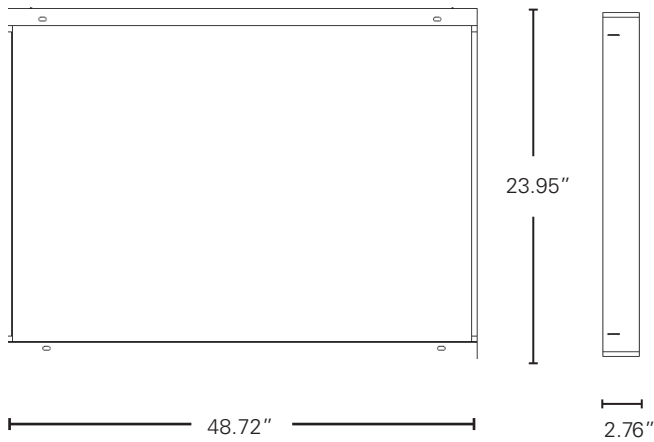
Weight: 1.4 lbs

Project	
Date	
Prepared By	
Model #	

Surface Mount Kit

LED Back Light Panel

2x4 - 11532



PRODUCT INFORMATION

Description: Surface Mount Kid for 1x4 Flat Panels

Material: Aluminum

Dimensions: 48.72" x 23.95" with profile 2.76"

Weight: 2.2 lbs

