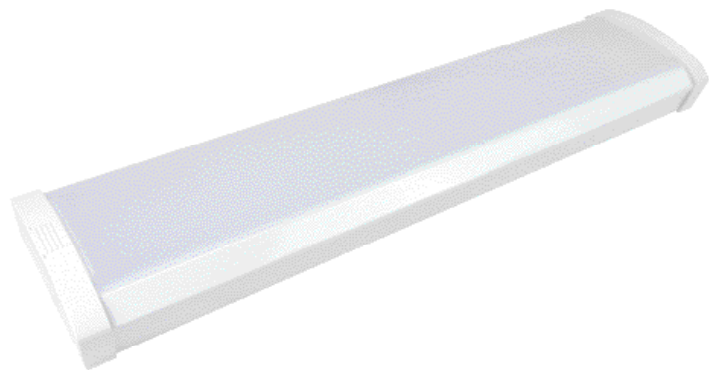




SMW2N-LED24

LED Surface Mount Wrap



SPECIFICATIONS*

Watts	24.5
Lumens	2862
Efficacy	116.4 lm/W
Replaces Up To	2' T8 lamp
Colour Temp	4000K
Operating Temp	-25°C to +55°C
Voltage	120-277
LED Life	50,000 hours
Certification	ETL Listed, DLC
Housing Material	Steel
Lens	Frosted
Power Factor	0.946
Total Harmonic Distortion	11%
CRI	85
Weight	2.2 lbs
Maximum Connected in a Row	15



DESCRIPTION

The SMW2N-LED Surface Mount Wrap is a 2' linkable linear fixture ideal for indoor use. The wraparound fixture features an easy to use link connector ideal for combining multiple fixtures in one row.

APPLICATIONS



Stairwells



Hallways



Foyers

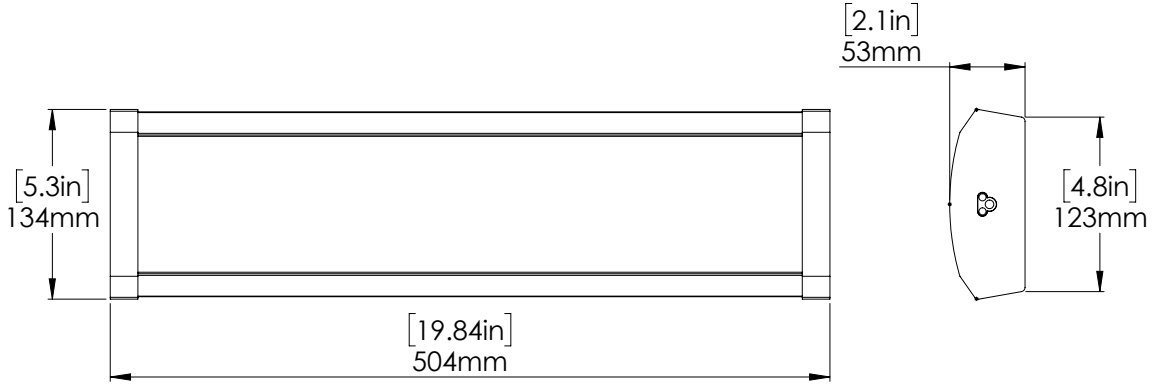


Utility Areas

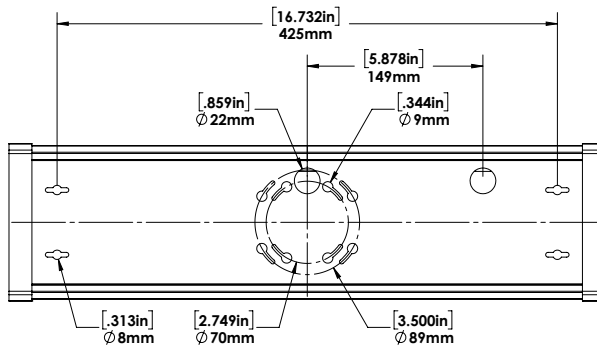
FEATURES

- Easy to use link connector allows you to combine up to 15 fixtures in one row.
- Clips at either end facilitate seamless lens removal for easy install
- 0-10V Dimming is standard.
- If dimming is needed for a continuous run, End cap for conduit entries can be used & dimming wires can be fished through the run.
- When using the link/cable connectors, fixtures cannot be dimmed.

DIMENSIONS



Knockouts On Back of the Fixture



Weight = 2.2lbs

PHOTOMETRICS

SMW2N-LED24-B-4K
MOUNTED AT 8 FEET

