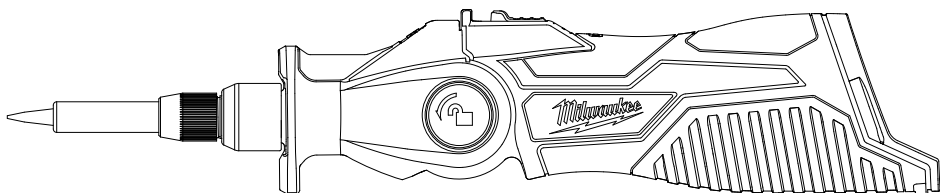




OPERATOR'S MANUAL
MANUEL de L'UTILISATEUR
MANUAL del OPERADOR



Cat. No. / No de cat.
2488-20

M12™ SOLDERING IRON
FER À SOUDER M12™
CAUTÍN M12™



WARNING To reduce the risk of injury, user must read and understand operator's manual.

AVERTISSEMENT Afin de réduire le risque de blessures, l'utilisateur doit lire et bien comprendre le manuel.

ADVERTENCIA Para reducir el riesgo de lesiones, el usuario debe leer y entender el manual.

GENERAL POWER TOOL SAFETY WARNINGS

WARNING Read all safety warnings, instructions, illustrations and specifications provided with this power tool. Failure to follow all instructions listed below may result in electric shock, fire and/or serious injury. Save all warnings and instructions for future reference. The term "power tool" in the warnings refers to your mains-operated (corded) power tool or battery-operated (cordless) power tool.

WORK AREA SAFETY

- Keep work area clean and well lit. Cluttered or dark areas invite accidents.
- Do not operate power tools in explosive atmospheres, such as in the presence of flammable liquids, gases or dust. Power tools create sparks which may ignite the dust or fumes.
- Keep children and bystanders away while operating a power tool. Distractions can cause you to lose control.

ELECTRICAL SAFETY

- Indoor Use. Do not expose power tools to rain or wet conditions. Water entering a power tool will increase the risk of electric shock.

PERSONAL SAFETY

- Stay alert, watch what you are doing and use common sense when operating a power tool. Do not use a power tool while you are tired or under the influence of drugs, alcohol or medication. A moment of inattention while operating power tools may result in serious personal injury.
- Use personal protective equipment. Always wear eye protection. Protective equipment such as a dust mask, non-skid safety shoes, hard hat or hearing protection used for appropriate conditions will reduce personal injuries.
- Prevent unintentional starting. Ensure the switch is in the off-position before connecting to power source and/or battery pack, picking up or carrying the tool. Carrying power tools with your finger on the switch or energizing power tools that have the switch on invites accidents.
- Do not overreach. Keep proper footing and balance at all times. This enables better control of the power tool in unexpected situations.
- Dress properly. Do not wear loose clothing or jewelry. Keep your hair and clothing away from moving parts. Loose clothes, jewelry or long hair can be caught in moving parts.
- Do not let familiarity gained from frequent use of tools allow you to become complacent and ignore tool safety principles. A careless action can cause severe injury within a fraction of a second.

POWER TOOL USE AND CARE

- Do not force the power tool. Use the correct power tool for your application. The correct power tool will do the job better and safer at the rate for which it was designed.
- Do not use the power tool if the switch does not turn it on and off. Any power tool that cannot be controlled with the switch is dangerous and must be repaired.
- Disconnect the plug from the power source and/or remove the battery pack, if detachable, from the power tool before making any adjustments, changing accessories, or storing power tools. Such preventive safety measures reduce the risk of starting the power tool accidentally.
- Store idle power tools out of the reach of children and do not allow persons unfamiliar with the power tool or these instructions to operate the power tool. Power

- tools are dangerous in the hands of untrained users.
- Maintain power tools and accessories. Check for misalignment or binding of moving parts, breakage of parts and any other condition that may affect the power tool's operation. If damaged, have the power tool repaired before use. Many accidents are caused by poorly maintained power tools.
- Use the power tool, accessories and tool bits etc. in accordance with these instructions, taking into account the working conditions and the work to be performed. Use of the power tool for operations different from those intended could result in a hazardous situation.
- Keep handles and grasping surfaces dry, clean and free from oil and grease. Slippery handles and grasping surfaces do not allow for safe handling and control of the tool in unexpected situations.

BATTERY TOOL USE AND CARE

- Recharge only with the charger specified by the manufacturer. A charger that is suitable for one type of battery pack may create a risk of fire when used with another battery pack.
- Use power tools only with specifically designated battery packs. Use of any other battery packs may create a risk of injury and fire.
- When battery pack is not in use, keep it away from other metal objects, like paper clips, coins, keys, nails, screws or other small metal objects, that can make a connection from one terminal to another. Shorting the battery terminals together may cause burns or a fire.
- Under abusive conditions, liquid may be ejected from the battery; avoid contact. If contact accidentally occurs, flush with water. If liquid contacts eyes, additionally seek medical help. Liquid ejected from the battery may cause irritation or burns.
- Do not use a battery pack or tool that is damaged or modified. Damaged or modified batteries may exhibit unpredictable behavior resulting in fire, explosion or risk of injury.
- Do not expose a battery pack or tool to fire or excessive temperature. Exposure to fire or temperature above 265°F (130°C) may cause explosion.
- Follow all charging instructions and do not charge the battery pack or tool outside the temperature range specified in the instructions. Charging improperly or at temperatures outside the specified range may damage the battery and increase the risk of fire.

SERVICE

- Have your power tool serviced by a qualified repair person using only identical replacement parts. This will ensure that the safety of the power tool is maintained.
- Never service damaged battery packs. Service of battery packs should only be performed by the manufacturer or authorized service providers.
- Do not modify or attempt to repair the tool or the battery pack except as indicated in the instructions for use and care.

SPECIFIC SAFETY RULES FOR SOLDERING IRON

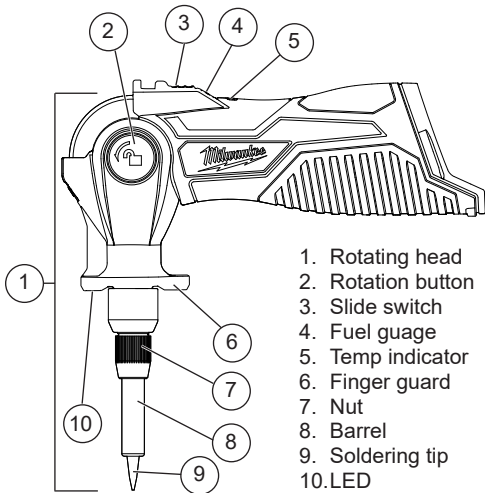
- Contact with a hot tool tip could ignite flammable materials. Contact with a hot tip could ignite a fire.
- Do not stand or store tool upright on the battery pack. Tool could tip resulting in contact between hot tip and flammable materials. Always set/store tool on its side when not in use.
- Keep hands and fingers behind finger guard. Serious burns can occur if skin contacts tip.
- Remove battery before storing. Such preventive safety measures reduce the risk of starting the power tool accidentally.

- **Work in well ventilated areas.** Soldering can produce fumes and smoke.
- **Use personal protective equipment when using chemicals, such as flux and solder paste.** Follow all manufacturer instructions.
- **Always use common sense and be cautious when using tools.** It is not possible to anticipate every situation that could result in a dangerous outcome. Do not use this tool if you do not understand these operating instructions or you feel the work is beyond your capability; contact Milwaukee Tool or a trained professional for additional information or training.
- **Maintain labels and nameplates.** These carry important information. If unreadable or missing, contact a MILWAUKEE service facility for a free replacement.
- **AWARNING** Some dust created by power sanding, sawing, grinding, drilling, and other construction activities contains chemicals known to cause cancer, birth defects or other reproductive harm. Some examples of these chemicals are:
 - lead from lead-based paint
 - crystalline silica from bricks and cement and other masonry products, and
 - arsenic and chromium from chemically-treated lumber.
 Your risk from these exposures varies, depending on how often you do this type of work. To reduce your exposure to these chemicals: work in a well ventilated area, and work with approved safety equipment, such as those dust masks that are specially designed to filter out microscopic particles.

SPECIFICATIONS

Cat. No.....	2488-20
Volts.....	12 DC
Battery Type.....	M12™
Charger Type.....	M12™
Average Heater Power (Max).....	90 W
Set Tip Temperature.....	750°F
Replacement Point Tip.....	49-80-0400
Replacement Chisel Tip.....	49-80-0401
Recommended Ambient Operating Temperature.....	0°F to 125°F

FUNCTIONAL DESCRIPTION



1. Rotating head
2. Rotation button
3. Slide switch
4. Fuel gauge
5. Temp indicator
6. Finger guard
7. Nut
8. Barrel
9. Soldering tip
10. LED

SYMBOLOLOGY

- Volts
- Direct Current
- CAUTION!** Tip is hot. Avoid contact.
- UL Listing for Canada and U.S.

ASSEMBLY

AWARNING Recharge only with the charger specified for the battery. For specific charging instructions, read the operator's manual supplied with your charger and battery.

Removing/Inserting the Battery

To **remove** the battery, push in the release buttons and pull the battery pack away from the tool.

AWARNING Always remove battery pack before changing or removing accessories.

To **insert** the battery, slide the pack into the body of the tool. Make sure it latches securely into place.

AWARNING Only use accessories specifically recommended for this tool. Others may be hazardous.

Changing the Soldering Tip

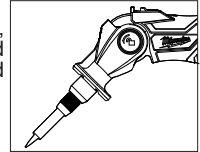
AWARNING Ensure the tip is cool and the tip temp indicator is off before touching the tip. Serious burns could occur if skin contacts a hot tip.

To replace the tip:

1. After the tip has cooled and the tip temp indicator is off, remove the battery pack.
2. Unscrew the nut and remove the nut and barrel.
3. Remove the tip and replace.
4. Reinstall the nut and barrel. Tighten the nut securely.

Rotating the Head

To rotate the head at any time, press in the rotation button and rotate the head to the desired angle.



OPERATION

AWARNING To reduce the risk of injury, always wear proper eye protection marked to comply with ANSI Z87.1.

Keep hands and fingers behind finger guard. Serious burns could occur if skin contacts a hot tip.

Soldering

1. Prepare the workpiece.
2. Rotate head to desired angle.
3. Press the slide switch forward to turn on the tool.
4. To lock-on the switch press down on the front of the switch.
5. Allow the tool to come to full temperature.
 - Temp Indicator:
 - Blinking Green → Heating
 - Solid Green → Solder melt temp (400-750°F)
6. Solder according to material requirements.
7. When done, turn off tool by releasing switch or, if locked-on, pressing back of switch and releasing.

- While still hot, clean the tip with a wet sponge or brass cleaning wire. **WARNING!** Avoid contact, tip is hot and could cause serious burns.
- Place tool on its side with the tip away from any contact until it has cooled. Tip should cool in approximately 20 minutes. Temp indicator will go out once tip has cooled.

Temp Indicator:
Solid Red → Cooling

WARNING! Do not touch tip or remove battery pack until Temp Indicator turns off, indicating the tool has cooled. Storing a hot tool could cause fire.

MAINTENANCE

WARNING To reduce the risk of injury, always unplug the charger and remove the battery pack from the charger or tool before performing any maintenance. Never disassemble the tool, battery pack or charger. Contact a MILWAUKEE service facility for ALL repairs.

Maintaining Tool

Keep your tool, battery pack and charger in good repair by adopting a regular maintenance program. Inspect your tool for issues such as undue noise, misalignment or binding of moving parts, breakage of parts, or any other condition that may affect the tool operation. Return the tool, battery pack, and charger to a MILWAUKEE service facility for repair. After six months to one year, depending on use, return the tool, battery pack and charger to a MILWAUKEE service facility for inspection.

If the tool does not start or operate at full power with a fully charged battery pack, clean the contacts on the battery pack. If the tool still does not work properly, return the tool, charger and battery pack, to a MILWAUKEE service facility for repairs.

WARNING To reduce the risk of personal injury and damage, never immerse your tool, battery pack or charger in liquid or allow a liquid to flow inside them.

Cleaning

While still hot, clean the tip with a wet sponge or brass cleaning wire. Tip-tinner/cleaner can also be used. **WARNING!** Avoid contact, tip is hot and could cause serious burns.

Keep handles clean, dry and free of oil or grease. Use only mild soap and a damp cloth to clean, since certain cleaning agents and solvents are harmful to plastics and other insulated parts. Some of these include gasoline, turpentine, lacquer thinner, paint thinner, chlorinated cleaning solvents, ammonia and household detergents containing ammonia. Never use flammable or combustible solvents around tools.

Repairs

For repairs, return the tool, battery pack and charger to the nearest service center.

ACCESSORIES

WARNING Use only recommended accessories. Others may be hazardous.

For a complete listing of accessories, go online to www.milwaukeeetool.com or contact a distributor.

SERVICE - UNITED STATES

1-800-SAWDUST (1.800.729.3878)

Monday-Friday, 7:00 AM - 6:30 PM CST

or visit www.milwaukeeetool.com

Contact Corporate After Sales Service Technical Support with technical, service/repair, or warranty questions.

Email: metproductsupport@milwaukeeetool.com

Become a Heavy Duty Club Member at www.milwaukeeetool.com to receive important notifications regarding your tool purchases.

SERVICE - CANADA

Milwaukee Tool (Canada) Ltd

1.800.268.4015

Monday-Friday, 7:00 AM - 4:30 PM CST

or visit www.milwaukeeetool.ca

LIMITED WARRANTY USA & CANADA

Every MILWAUKEE power tool* (see exceptions below) is warranted to the original purchaser only to be free from defects in material and workmanship. Subject to certain exceptions, MILWAUKEE will repair or replace any part on an electric power tool which, after examination, is determined by MILWAUKEE to be defective in material or workmanship for a period of five (5) years** after the date of purchase unless otherwise noted. Return of the power tool to a MILWAUKEE factory Service Center location or MILWAUKEE Authorized Service Station, freight prepaid and insured, is required. A copy of the proof of purchase should be included with the return product. This warranty does not apply to damage that MILWAUKEE determines to be from repairs made or attempted by anyone other than MILWAUKEE authorized personnel, misuse, alterations, abuse, normal wear and tear, lack of maintenance, or accidents.

Normal Wear: Many power tools need periodic parts replacement and service to achieve best performance. This warranty does not cover repair when normal use has exhausted the life of a part including, but not limited to, chucks, brushes, cords, saw shoes, blade clamps, o-rings, seals, burners, driver blades, pistons, strikers, lifters, and bumper cover washers.

*This warranty does not cover Air Nailers & Staplers; Airless Paint Sprayer; Cordless Battery Packs; Gasoline Drive Portable Power Generators; Hand Tools; Hoist - Electric, Lever & Hand Chain; M12™ Heated Gear; Reconditioned Product; and Test & Measurement Products. There are separate and distinct warranties available for these products.

**The warranty period for Job Site Radios, M12™ Power Port, M18™ Power Source, Jobsite Fan and Trade Titan™ Industrial Work Carts is one (1) year from the date of purchase. The warranty period for the Drain Cleaning Cables is two (2) years from the date of purchase. The warranty period for the LED in the LED Work Light and the LED Upgrade Bulb for the Work Light is the lifetime of the product subject to the limitations above. If during normal use the LED or LED Bulb fails, the part will be replaced free of charge.

Warranty Registration is not necessary to obtain the applicable warranty on a MILWAUKEE power tool product. The manufacturing date of the product will be used to determine the warranty period if no proof of purchase is provided at the time warranty service is requested.

ACCEPTANCE OF THE EXCLUSIVE REPAIR AND REPLACEMENT REMEDIES DESCRIBED HEREIN IS A CONDITION OF THE CONTRACT FOR THE PURCHASE OF EVERY MILWAUKEE PRODUCT. IF YOU DO NOT AGREE TO THIS CONDITION, YOU SHOULD NOT PURCHASE THE PRODUCT. IN NO EVENT SHALL MILWAUKEE BE LIABLE FOR ANY INCIDENTAL, SPECIAL, CONSEQUENTIAL OR PUNITIVE DAMAGES, OR FOR ANY COSTS, ATTORNEY FEES, EXPENSES, LOSSES OR DELAYS ALLEGED TO BE AS A CONSEQUENCE OF ANY DAMAGE TO, FAILURE OF, OR DEFECT IN ANY PRODUCT INCLUDING, BUT NOT LIMITED TO, ANY CLAIMS FOR LOSS OF PROFITS. SOME STATES DO NOT ALLOW THE EXCLUSION OR LIMITATION OF INCIDENTAL OR CONSEQUENTIAL DAMAGES, SO THE ABOVE LIMITATION OR EXCLUSION MAY NOT APPLY TO YOU. THIS WARRANTY IS EXCLUSIVE AND IN LIEU OF ALL OTHER EXPRESS WARRANTIES, WRITTEN OR ORAL, TO THE EXTENT PERMITTED BY LAW, MILWAUKEE DISCLAIMS ANY IMPLIED WARRANTIES, INCLUDING WITHOUT LIMITATION ANY IMPLIED WARRANTY OF MERCHANTABILITY OR FITNESS FOR A PARTICULAR USE OR PURPOSE; TO THE EXTENT SUCH DISCLAIMER IS NOT PERMITTED BY LAW, SUCH IMPLIED WARRANTIES ARE LIMITED TO THE DURATION OF THE APPLICABLE EXPRESS WARRANTY AS DESCRIBED ABOVE. SOME STATES DO NOT ALLOW LIMITATIONS ON HOW LONG AN IMPLIED WARRANTY LASTS, SO THE ABOVE LIMITATION MAY NOT APPLY TO YOU. THIS WARRANTY GIVES YOU SPECIFIC LEGAL RIGHTS, AND YOU MAY ALSO HAVE OTHER RIGHTS WHICH VARY FROM STATE TO STATE.

This warranty applies to product sold in the U.S.A. and Canada only. Please consult the 'Service Center Search' in the Parts & Service section of MILWAUKEE's website www.milwaukeeetool.com or call 1.800.SAWDUST (1.800.729.3878) to locate your nearest service facility for warranty and non-warranty service on a Milwaukee electric power tool.

LIMITED WARRANTY - MEXICO, CENTRAL AMERICA & CARIBBEAN

TECHTRONIC INDUSTRIES' warranty is for 5 years since the original purchase date.

This Warranty card covers any defect in material and workmanship on this Product.

To make this warranty valid, present this warranty card, sealed/stamped by the distributor or store where you purchased the product, to the Authorized Service Center (ASC). Or, if this card has not been sealed/stamped, present the original proof of purchase to the ASC. Call 55 4160-3547 to find the nearest ASC, for service, parts, accessories or components.

Procedure to make this warranty valid

Take the product to the ASC, along with the warranty card sealed/stamped by the distributor or store where you purchased the product, and any faulty piece or component will be replaced without cost for you. We will cover all freight costs relative with this warranty process.

Exceptions

This warranty is not valid in the following situations

a) When the product is used in a different manner from the end-user guide or instruction manual.

b) When the conditions of use are not normal.

c) When the product was modified or repaired by people not authorized by TECHTRONIC INDUSTRIES.

Note: If cord set is damaged, it should be replaced by an Authorized Service Center to avoid electric risks.

SERVICE AND ATTENTION CENTER

Call to 55 4160-3547

IMPORTED AND COMMERCIALIZED BY

TECHTRONIC INDUSTRIES MEXICO, S.A. DE C.V.

Miguel de Cervantes Saavedra No.301 Piso 5, Torre Norte

11520 Colonia Ampliación Granada

Miguel Hidalgo, Ciudad de Mexico, Mexico

Model: _____

Date of Purchase: _____

Distributor or Store Stamp: _____

RÈGLES DE SÉCURITÉ GÉNÉRALES RELATIVES AUX OUTILS ÉLECTRIQUES

⚠ AVERTISSEMENT Lire toutes les consignes de sécurité, consignes, illustrations et spécifications fournies avec cet outil électrique. Ne pas suivre l'ensemble des règles et instructions peut entraîner une électrocution, un incendie ou des blessures graves. **Conserver les règles et les instructions à des fins de référence ultérieure.** Le terme «outil électrique» figurant dans les avertissements ci-dessous renvoie à l'outil électrique à alimentation par le réseau (à cordon) ou par batterie (sans fil).

SÉCURITÉ DU LIEU DE TRAVAIL

- **Veillez à ce que l'aire de travail soit propre et bien éclairée.** Le désordre et le manque de lumière favorisent les accidents.
- **Ne pas utiliser d'outils électriques dans des atmosphères explosives, par exemple en présence de liquides, gaz ou poussières inflammables.** Les outils électriques produisent des étincelles risquant d'enflammer les poussières ou vapeurs.
- **S'assurer que les enfants et les curieux se trouvent à une bonne distance au moment d'utiliser un outil électrique.** Les distractions peuvent causer une perte de contrôle.

SÉCURITÉ ÉLECTRIQUE

- **Utilisation en intérieur. Ne pas exposer les outils électriques à l'eau ou l'humidité.** La pénétration d'eau dans ces outils accroît le risque de choc électrique.

SÉCURITÉ INDIVIDUELLE

- **Rester attentif, prêter attention au travail et faire preuve de bon sens lors de l'utilisation de tout outil électrique. Ne pas utiliser cet appareil en cas de fatigue ou sous l'influence de l'alcool, de drogues ou de médicaments.** Un moment d'inattention pendant l'utilisation d'un outil électrique peut entraîner des blessures graves.
- **Porter l'équipement de protection individuel requis. Toujours porter une protection oculaire.** Selon les conditions, porter aussi un masque antipoussières, des bottes de sécurité antidérapantes, un casque protecteur ou une protection auditive afin de réduire les blessures.
- **Empêcher les démarrages accidentels. S'assurer que la gâchette est en position d'arrêt avant de brancher l'outil à une source de courant, d'insérer la batterie, de le ramasser ou de le transporter.** Le fait de transporter un outil électrique en gardant le doigt sur la gâchette ou de mettre sous tension un outil électrique lorsque la gâchette est en position de marche favorise les accidents.
- **Ne pas travailler hors de portée. Toujours se tenir bien campé et en équilibre.** Une bonne stabilité procure un meilleur contrôle de l'outil électrique en cas d'imprévus.
- **Porter une tenue appropriée. Ne porter ni vêtements amples, ni bijoux. Garder les cheveux et les vêtements à l'écart des pièces en mouvement.** Les vêtements flottants, les bijoux ou les cheveux longs risquent d'être happés par les pièces en mouvement.
- **Ne pas laisser la familiarité avec l'outil acquise par une utilisation fréquente vous rendre suffisant et vous amener à ignorer les règles de sécurité.** Une utilisation négligée peut causer une blessure grave en une fraction de seconde.

UTILISATION ET ENTRETIEN DE L'OUTIL ÉLECTRIQUE

- **Ne pas forcer l'outil électrique. Utiliser l'outil électrique approprié pour l'application.** Un outil électrique approprié exécutera le travail mieux et de façon moins dangereuse s'il est utilisé dans les limites prévues.
- **Ne pas utiliser l'outil électrique si le commutateur ne permet pas de le mettre en marche ou de l'arrêter.** Tout outil électrique qui ne peut pas être contrôlé par son commutateur est dangereux et doit être réparé.
- **Débrancher l'outil et/ou retirer le bloc-piles, si possible, avant d'effectuer des réglages, de changer d'accessoire ou de remiser l'outil.** Ces mesures de sécurité préventives réduisent les risques de démarrage accidentel de l'outil.
- **Entreposer l'outil électrique hors de la portée des enfants et interdire à quiconque de l'utiliser si la personne ne connaît pas bien le produit ou les instructions.** Les outils électriques sont dangereux dans les mains d'utilisateurs novices.
- **Entretenir les outils électriques et les accessoires.** Vérifier qu'aucune pièce mobile n'est mal alignée ou bloquée, qu'aucune pièce n'est brisée et s'assurer qu'aucun autre problème risque d'affecter le bon fonctionnement de l'outil. En cas de dommages, faire réparer l'outil avant de l'utiliser. Plusieurs accidents sont causés par des produits mal entretenus.
- **Utiliser l'outil électrique, les accessoires, les embouts etc. conformément à ces instructions en tenant compte des conditions de travail et de la tâche à effectuer.** L'usage d'un outil électrique pour des applications pour lesquelles il n'est pas conçu peut être dangereux.

• **Garder les poignées et les surfaces de préhension sèches, propres et exemptes d'huile ou de graisse.** Des poignées et des surfaces de préhension glissantes ne permettent pas de manipuler et de contrôler l'outil en toute sécurité en cas de situation imprévue.

UTILISATION ET ENTRETIEN DE LA PILE

- **Pour recharger la pile, utiliser seulement le chargeur spécifié par le fabricant.** Un chargeur pouvant convenir à un type de bloc-piles peut entraîner un risque d'incendie lorsqu'il est utilisé avec un autre type de bloc-piles.
- **Utiliser l'outil électrique qu'avec les blocs-piles recommandés.** L'utilisation de tout autre bloc-piles peut créer un risque de blessures et d'incendie.
- **Lorsque le bloc-piles n'est pas utilisé, le tenir éloigné des objets en métal tels que les trombones, les pièces de monnaie, les clés, les clous, les vis ou d'autres petits objets métalliques qui pourraient connecter les bornes.** Le court-circuitage des bornes d'une pile peut entraîner des brûlures ou un incendie.
- **Éviter tout contact avec le liquide pouvant être éjecté de la pile en cas de manutention abusive. En cas de contact accidentel, rincer immédiatement les parties atteintes avec de l'eau. Si le liquide entre en contact avec les yeux, consulter un médecin.** Le liquide éjecté de la pile peut causer des irritations ou des brûlures.
- **N'utiliser aucun bloc-piles ni aucun outil ayant été endommagé ou modifié.** Des piles endommagées ou modifiées peuvent adopter un comportement imprévisible pouvant causer un incendie, une explosion ou le risque de blessures.
- **Ne pas exposer le bloc-piles ou l'outil aux flammes ou à une température excessive.** L'exposition au feu ou à une température supérieure à 130 °C (265 °F) peut provoquer une explosion.
- **Suivre toutes les instructions de charge et ne pas charger le bloc-piles ou l'outil en dehors de la plage de température spécifiée.** Une recharge incorrecte ou à des températures en dehors de la plage spécifiée peut endommager la pile et augmenter le risque d'incendie.

ENTRETIEN

- **Les réparations de l'outil électrique doivent être confiées à un technicien qualifié, utilisant exclusivement des pièces identiques à celles d'origine.** Le maintien de la sûreté de l'outil électrique sera ainsi assuré.
- **Ne jamais effectuer la réparation d'un bloc-piles endommagé.** La réparation du bloc-piles doit être réalisée par le fabricant ou les fournisseurs de services agréés uniquement.
- **Ne pas modifier ou tenter de réparer l'outil ou le bloc-piles, sauf comme indiqué dans les instructions d'utilisation et d'entretien.**

RÈGLES DE SÉCURITÉ SPÉCIFIQUES POUR FER À SOUDER

- **Le contact avec l'embout chaud de l'outil peut enflammer les matériaux inflammables. Le contact avec l'embout chaud de l'outil peut entraîner un incendie.**
- **Ne pas entreposer ou poser l'outil verticalement sur le bloc-pile. L'outil peut se renverser et l'embout chaud entre en contact avec des matériaux inflammables. •Toujours poser/entreposer l'outil sur le côté lorsqu'il n'est pas utilisé.**
- **Garder les mains et les doigts derrière le protège-douls. De graves brûlures peuvent se produire, si l'embout entre en contact avec la peau.**
- **Retirer les piles avant l'entreposage.** Ces mesures de sécurité préventives réduisent les risques de démarrage accidentel de l'outil électrique.



- **Travaillez en espaces bien aérés.** Le soudage peut entraîner des fumées et vapeurs.
- **Utilisez des vêtements de protection individuelles pendant que vous utilisez des produits chimiques, tels qu'un flux ou une pâte à braser.** Suivez toutes les instructions du fabricant.
- **Toujours faire preuve de bons sens et procéder avec prudence lors de l'utilisation d'outils.** C'est impossible de prévoir toutes les situations dont le résultat est dangereux. Ne pas utiliser cet outil si vous ne comprenez pas ces instructions d'opération ou si vous pensez que le travail dépasse votre capacité ; veuillez contacter Milwaukee Tool ou un professionnel formé pour recevoir plus d'information ou formation.
- **Maintenir en l'état les étiquettes et les plaques d'identification.** Des informations importantes y figurent. Si elles sont illisibles ou manquantes, contacter un centre de services et d'entretien MILWAUKEE pour un remplacement gratuit.

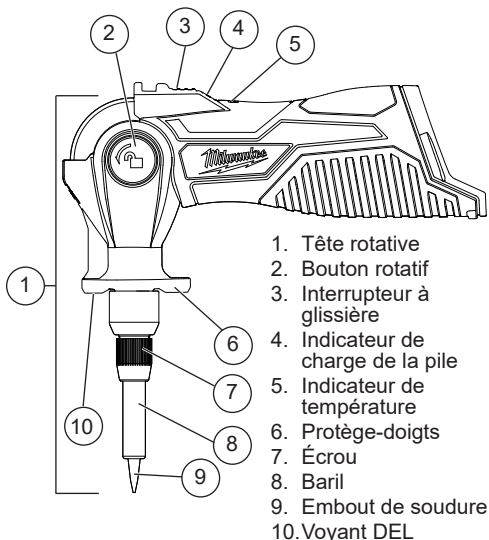
- ⚠ AVERTISSEMENT** Certaines poussières générées par les activités de ponçage, de coupe, de rectification, de perçage et d'autres activités de construction contiennent des substances considérées être la cause de malformations congénitales et de troubles de l'appareil reproducteur. Parmi ces substances figurent :
- le plomb contenu dans les peintures à base de plomb ;
 - la silice cristalline des briques, du ciment et d'autres matériaux de maçonnerie, ainsi que
 - l'arsenic et le chrome des sciages traités chimiquement. Les risques encourus par l'opérateur envers ces expositions varient en fonction de la fréquence de ce type de travail. Pour réduire l'exposition à ces substances chimiques, l'opérateur doit : travailler dans une zone bien ventilée et porter l'équipement de sécurité approprié, tel qu'un masque anti-poussière spécialement conçu pour filtrer les particules microscopiques.

SPECIFICATIONS

No de Cat.....	2488-20
Volts	12 CD
Type de batterie	M12™
Type de chargeur	M12™
Puissance maximale de soudure (Max)	90 W
Température de consigne de l'embout. 400°C (750°F)	
Pièce de rechange de l'embout	49-80-0400
Pièce de rechange de la pointe biseautée	49-80-0401
Température ambiante de fonctionnement recommandée	-18°C à 50°C (0°F à 125°F)

PICTOGRAPHIE

	Volts
	Courant direct
	ATTENTION! Pointe chaude. Éviter contact.
	UL Listing Mark pour Canada et États-unis



1. Tête rotative
2. Bouton rotatif
3. Interrupteur à glissière
4. Indicateur de charge de la pile
5. Indicateur de température
6. Protège-doigts
7. Écrou
8. Baril
9. Embout de soudure
10. Voyant DEL

MONTAGE DE L'OUTIL

AVERTISSEMENT Ne recharger la batterie qu'avec le chargeur spécifié. Pour les instructions de charge spécifiques, lire le manuel d'utilisation fourni avec le chargeur et les batteries.

Insertion/Retrait de la batterie

Pour retirer la batterie, enfoncer les boutons de déverrouillage et la tirer hors de l'outil.

AVERTISSEMENT Il faut toujours retirer la batterie et verrouiller la détente de l'outil avant de changer ou d'enlever les accessoires.

Pour insérer la batterie, la glisser dans le corps de l'outil. S'assurer qu'elle est fixée solidement.

AVERTISSEMENT L'emploi d'accessoires autres que ceux qui sont expressément recommandés pour cet outil peut comporter des risques.

Remplacement de l'embout de soudure

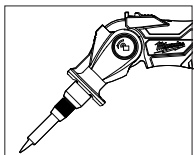
AVERTISSEMENT S'assurer que l'embout est froid et l'indicateur de température est éteint avant de toucher l'embout. Si l'embout chaud entre en contact avec la peau, de graves brûlures peuvent se produire.

Pour remplacer l'embout :

1. Une fois que l'embout a refroidi et l'indicateur de température est éteint, retirer la pile.
2. Dévisser l'écrou et retirer le baril et l'écrou.
3. Retirer l'embout et le remplacer.
4. Réinstaller l'écrou et le baril. Serrer fermement l'écrou.

Rotation de la tête

Pour faire tourner la tête, appuyer sur le bouton de rotation et tourner la tête à la position désirée.



AVERTISSEMENT Afin de minimiser le risque de blessures, toujours porter la protection oculaire appropriée certifiée conforme à la norme ANSI Z87.1.

Garder les mains et les doigts derrière le protège-doigts. Si l'embout entre en contact avec la peau, de graves brûlures peuvent se produire.

Soudage

1. Préparer la pièce à travailler.
2. Faire tourner la tête à l'angle désiré.
3. Glisser l'interrupteur à glissière vers l'avant pour mettre l'outil en marche.
4. Pour verrouiller l'interrupteur en place, appuyer sur l'avant de l'interrupteur.
5. Permettre à l'outil d'atteindre la température maximale.

Indicateur de température

Vert clignotant → Chauffage

Vert fixe → Température de fusion

de soudure (204-400°C (400-750°F))

6. Souder conformément aux exigences des matériaux.
7. Une fois le travail est terminé, éteindre l'outil en relâchant l'interrupteur ou, s'il est verrouillé, appuyer sur l'arrière de l'interrupteur et le relâcher.
8. Nettoyer l'embout chaud avec une éponge humide ou un fil de nettoyage en laiton. **AVERTISSEMENT!** Éviter tout contact, l'embout est chaud et peut entraîner de graves brûlures.
9. Placer l'outil sur le côté tout en maintenant l'embout loin de tout contact jusqu'à ce qu'il refroidisse. Astuce devrait refroidir à environ 20 minutes. Indicateur temp s'éteint une fois refroidi à l'extrémité.

Indicateur de température

Rouge fixe → Refroidissement

AVERTISSEMENT Ne pas toucher l'embout ou retirer le bloc-pile jusqu'à ce que l'indicateur de température s'éteigne indiquant ainsi que l'outil est froid. L'entreposage d'un embout chaud peut causer un incendie.

ENTRETIEN

AVERTISSEMENT Pour minimiser les risques de blessures corporelles, débranchez le chargeur et retirez la batterie du chargeur ou de l'outil avant d'y effectuer des travaux d'entretien. Ne démontez jamais l'outil, la batterie ou le chargeur. Pour toute réparation, consultez un centre de service MILWAUKEE accrédité.

Entretien de l'outil

Gardez l'outil en bon état en adoptant un programme d'entretien ponctuel. Inspectez votre outil pour des questions telles que le bruit excessif, de grippage des pièces mobiles, de pièces cassées ou toute autre condition qui peut affecter le fonctionnement de l'outil. Retournez votre outil à un centre de service MILWAUKEE accrédité pour obtenir le service. Après une période pouvant aller de 6 mois à un an, selon l'usage, retournez votre outil à un centre de service MILWAUKEE accrédité pour d'inspection.

Si l'outil ne démarre pas ou ne fonctionne pas à pleine puissance alors qu'il est branché sur une batterie complètement chargée, nettoyez les points de contact entre la batterie et l'outil. Si l'outil ne fonctionne toujours pas correctement, renvoyez l'outil, le chargeur et la batterie à un centre de service MILWAUKEE accrédité.

AVERTISSEMENT Pour minimiser les risques de blessures ou de dommages à l'outil, n'immergez jamais l'outil, la batterie ou le chargeur et ne laissez pas de liquide s'y infiltrer.

Nettoyage

Nettoyer l'embout chaud avec une éponge humide ou un fil de nettoyage en laiton. Tip-tinner ou un agent nettoyant équivalent peut également être utilisé.

AVERTISSEMENT! Éviter tout contact, l'embout est chaud et peut entraîner de graves brûlures.

Gardez les poignées propres, à sec et exemptes d'huile ou de graisse. Le nettoyage doit se faire avec un linge humide et un savon doux. Certains nettoyeurs tels l'essence, la térébenthine, les diluants à laque ou à peinture, les solvants chlorés, l'ammoniaque et les détergents d'usage domestique qui en contiennent pourraient détériorer le plastique et l'isolation des pièces. Ne laissez jamais de solvants inflammables ou combustibles auprès des outils.

Réparations

Pour les réparations, retournez outil, batterie et chargeur en entier au centre-service le plus près.

ACCESOIRES

AVERTISSEMENT L'utilisation d'autres accessoires que ceux qui sont spécifiquement recommandés pour cet outil peut comporter des risques.

Pour une liste complète des accessoires, visiter le site internet www.milwaukeetool.com ou contactez un distributeur.

SERVICE - CANADA

Milwaukee Tool (Canada) Ltd
1.800.268.4015

Monday-Friday, 7:00 AM - 4:30 PM CST
www.milwaukeetool.ca

GARANTIE LIMITÉE - AUX ÉTATS-UNIS ET AU CANADA

Chaque outil électrique MILWAUKEE (voir exceptions ci-dessous) est garanti à l'acheteur d'origine uniquement pour être exempt de vices de matériaux et de fabrication. Sous réserve de certaines exceptions, MILWAUKEE réparera ou remplacera toute pièce d'un outil électrique qui, après examen par MILWAUKEE, s'est avérée être affectée d'un vice de matériau ou de fabrication et ce pendant une période de cinq (5) ans** à compter de la date d'achat, sauf indication contraire. Le retour de l'outil électrique, à un centre de réparations en usine MILWAUKEE ou à un centre d'entretien agréé MILWAUKEE, est requis en port prépayé et assuré. Une copie de la preuve d'achat doit être présentée avec le produit retourné. Cette garantie ne couvre pas les dommages que MILWAUKEE détermine être causés par des réparations ou des tentatives de réparation par quiconque autre que le personnel agréé par MILWAUKEE, ou par des utilisations incorrectes, des altérations, des utilisations abusives, une usure normale, une carence d'entretien ou des accidents.

Usure normale : Plusieurs outils électriques requièrent un remplacement et un entretien périodique de leurs pièces pour un meilleur rendement. Cette garantie ne couvre pas la réparation des pièces dues à l'utilisation normale de l'outil, y compris, mais sans s'y limiter, les mandrins, les brosses, les cordes, les sabots de scie, les portes-lames, les joints toriques, les joints, les amortisseurs, les lames d'entraînement, les pistons, les percuteurs, les crochets et les rondelles à couvercle amortisseur. *Cette garantie ne s'applique pas aux clouses-agrafeuses pneumatiques, aux pulvérisateurs à peinture sans air, aux boccilles pour outils sans fil, aux génératrices d'alimentation portatives à essence, aux outils à main, aux monte-charge électriques, à levier et à chaîne (manuels), aux vestes chauffantes M12™, aux produits réunis, ni aux produits d'essai et de mesure. L'existence des garanties séparées distinctes pour ces produits.

**La période de garantie applicable pour les radios de chantier, le port d'alimentation M12™, la source électrique M18™, le ventilateur de chantier et les chariots de travail industriels Trade Titan™ est d'une durée d'un (1) an à compter de la date d'achat. La période de garantie des câbles de nettoyage des canalisations est de deux (2) ans à compter de la date d'achat. La période de garantie couvrant la DEL de la lampe de travail à DEL et l'ampoule améliorée à DEL de la lampe de travail est une garantie à vie du produit soumise aux limitations ci-dessus. En cas de défaillance de la DEL ou de l'ampoule à DEL pendant son

utilisation normale, la pièce défaillante sera remplacée gratuitement. L'enregistrement de la garantie n'est pas nécessaire pour bénéficier de la garantie en vigueur sur un outil électrique MILWAUKEE. La date de fabrication du produit servira à établir la période de garantie si aucune preuve d'achat n'est fournie lorsqu'une demande de service sous garantie est déposée.

L'ACCEPTATION DES RECOURS EXCLUSIFS DE RÉPARATION ET DE REMPLACEMENT DÉCRITS DANS LES PRÉSENTES EST UNE CONDITION DU CONTRAT D'ACHAT DE TOUT PRODUIT MILWAUKEE. SI VOUS N'ACCEPTÉZ PAS CETTE CONDITION, VOUS NE DEVEZ PAS ACHETER LE PRODUIT. EN AUCUN CAS, MILWAUKEE NE SAURAIT ÊTRE RESPONSABLE DE TOUT DOMMAGE ACCESSOIRE, SPÉCIAL OU INDIRECT, DE DOMMAGES-INTÉRÊTS PUNITIFS OU DE TOUTE DÉPENSE, D'HONORAIRES D'AVOCATS, DE FRAIS, DE PERTE OU DE DELAIS ACCESSOIRES À TOUT DOMMAGE, DÉFAILLANCE OU DÉFAUT DE TOUT PRODUIT, Y COMPRIS NOTAMMENT LES PERTES DE PROFIT. CERTAINS ÉTATS ET PROVINCES NE PERMETTANT PAS L'EXCLUSION OU LA LIMITATION DES DOMMAGES DIRECTS OU INDIRECTS, LES RESTRICTIONS CI-DESSUS PEUVENT DONC NE PAS VOUS ÊTRE APPLICABLES. CETTE GARANTIE EST EXCLUSIVE ET REMPLACE TOUTE AUTRE GARANTIE EXPRESSE, QU'ELLE SOIT VERBALE OU ÉCRITE, DANS LA MESURE PERMISE PAR LA LOI. MILWAUKEE RENONCE À TOUTE GARANTIE IMPLICITE, Y COMPRIS, MAIS SANS S'Y LIMITER, TOUTE GARANTIE IMPLICITE DE QUALITÉ MARCHANDE OU D'ADAPTATION À UNE UTILISATION OU À UNE FIN PARTICULIÈRE, DANS LA MESURE OU UNE TELLE STIPULATION D'EXONÉRATION N'EST PAS PERMISE PAR LA LOI, LA DURÉE DE CES GARANTIES IMPLICITES EST LIMITÉE À LA PÉRIODE APPLICABLE DE LA GARANTIE EXPRESSE, TEL QUE CELA EST DÉCRIT PRÉCÉDEMMENT. CERTAINS ÉTATS ET PROVINCES NE PERMETTANT PAS DE LIMITATION DE DURÉE DES GARANTIES IMPLICITES, LES RESTRICTIONS CI-DESSUS PEUVENT DONC NE PAS VOUS ÊTRE APPLICABLES. LA PRÉSENTE VOUS CONFÈRE DES DROITS LÉGAUX PARTICULIERS; VOUS BÉNÉFICIEZ ÉGALEMENT D'AUTRES DROITS QUI VARIENT D'UN ÉTAT À UN AUTRE. Cette garantie s'applique aux produits vendus aux États-Unis et au Canada uniquement.

Veuillez consulter la rubrique Centre SAV Milwaukee, dans la section Pièces et Services du site Web de MILWAUKEE, à l'adresse www.milwaukeetool.com, ou composer le 1-800-SAWDUST (1-800-729-3878) afin de trouver le centre de service de votre région le plus proche pour l'entretien, sous garantie ou non, de votre outil électrique Milwaukee.

GARANTIE LIMITÉE – MEXIQUE – AMÉRIQUE CENTRALE ET CARAÏBES

TECHTRONIC INDUSTRIES® garantit le produit pendant 5 ans à partir de la date d'achat d'origine.

Le présent bon de garantie couvre tous les vices de matériau et de fabrication que peut afficher ce produit.

Pour assurer la validité de la présente garantie, veuillez présenter ce bon de garantie, estampillé du sceau du distributeur ou du magasin où le produit a été acheté, au centre de réparations agréé. Si le bon de garantie n'a pas été estampillé, veuillez fournir la preuve d'achat d'origine au centre de réparations agréé.

Pour un entretien des pièces, des accessoires ou des composants, composer 55 4160-3547 afin d'obtenir les coordonnées du centre de réparations agréé le plus près.

Procédure pour assurer la validité de la garantie

Présenter le produit au centre de réparations agréé, accompagné du bon de garantie estampillé du sceau du distributeur ou du magasin où le produit a été acheté. Toute pièce défectueuse ou tout composant défectueux sera remplacé(e) sans frais. Milwaukee assume tous les frais de transport liés à ce processus de garantie.

Exceptions

Cette garantie ne s'applique pas dans les situations suivantes :
a) Si le produit a été utilisé pour une fin autre que celle indiquée dans le guide de l'utilisateur final ou le manuel d'instructions.
b) Si les conditions d'utilisations ne sont pas habituelles.
c) Si le produit a été modifié ou réparé par une personne non autorisée par TECHTRONIC INDUSTRIES.

Remarque : Si le cordon électrique est endommagé, il doit être remplacé par un centre de réparations agréé pour éviter les risques d'électrocution.

CENTRE DE RÉPARATIONS ET DE SERVICE

Composer le 55 4160-3547

IMPORTÉ ET COMMERCIALISÉ PAR
TECHTRONIC INDUSTRIES, MEXIQUE, S.A. DE C.V.
Miguel de Cervantes Saavedra No.301 Piso 5, Torre Norte
11520 Colonia Ampliación Granada
Miguel Hidalgo, Ciudad de México, Mexico

Modèle : _____

Date d'achat : _____

Sceau du distributeur ou du magasin : _____

ADVERTENCIAS DE SEGURIDAD GENERALES PARA LA HERRAMIENTA ELÉCTRICA

▲ADVERTENCIA Lea todas las advertencias de seguridad, instrucciones, ilustraciones y especificaciones con esta herramienta eléctrica. Si no sigue todas las advertencias e instrucciones, se pueden provocar una descarga eléctrica, un incendio o lesiones graves. Guarde todas las advertencias e instrucciones para consultarlas en el futuro. El término "herramienta eléctrica" en todas las advertencias incluidas más abajo se refiere a su herramienta operada por conexión (cable) a la red eléctrica o por medio de una batería (inalámbrica).

SEGURIDAD EN EL ÁREA DE TRABAJO

- **Mantenga el área de trabajo limpia y bien iluminada.** Las áreas desordenadas u oscuras son propicias para los accidentes.
- **No utilice herramientas eléctricas en atmósferas explosivas, tales como en presencia de líquidos, gases o polvos inflamables.** Las herramientas eléctricas generan chispas que pueden encender el polvo o los vapores.
- **Mantenga a los niños y a los espectadores alejados mientras utiliza una herramienta eléctrica.** Las distracciones pueden ocasionar la pérdida de control.

SEGURIDAD ELÉCTRICA

- **Uso en interiores. No exponga las herramientas eléctricas a la lluvia ni a condiciones húmedas.** Si se introduce agua en una herramienta eléctrica, aumentará el riesgo de descarga eléctrica.

SEGURIDAD PERSONAL

- **Manténgase alerta, atento a lo que está haciendo y utilice el sentido común al utilizar una herramienta eléctrica. No utilice una herramienta eléctrica mientras está cansado o bajo la influencia de drogas, alcohol o medicamentos.** Un momento de distracción al utilizar herramientas eléctricas puede ocasionar lesiones personales graves.
- **Utilice equipo de protección personal. Siempre use protección para los ojos.** El equipo de protección, tal como una máscara contra polvo, calzado antideslizante, casco o protección auditiva, utilizado para condiciones adecuadas disminuirá las lesiones personales.
- **Evite el arranque accidental. Asegúrese de que el interruptor esté en la posición de apagado antes de conectarlo a una fuente de poder y/o batería, levantar o trasladar la herramienta.** Trasladar herramientas con el dedo en el interruptor o energizar herramientas eléctricas que tienen el interruptor encendido propicia accidentes.
- **No estire el cuerpo demasiado. Mantenga un buen contacto entre los pies y el suelo y mantenga el equilibrio en todo momento.** Esto permite un mejor control de la herramienta eléctrica en situaciones inesperadas.
- **Vístase adecuadamente. No utilice ropa o joyería holgada. Mantenga el cabello y la ropa alejados de las partes móviles.** La ropa holgada, las alhajas o el cabello largo pueden quedarse atrapados en las partes móviles.
- **No permita que la familiaridad por el uso frecuente de las herramientas lo hagan sentirse seguro e ignorar los principios de seguridad de las herramientas.** Un descuido puede provocar lesiones graves en una fracción de segundo.

USO Y CUIDADO DE LAS HERRAMIENTAS ELÉCTRICAS

- **No fuerce la herramienta eléctrica. Utilice la herramienta eléctrica correcta para su aplicación.** La herramienta eléctrica correcta realizará el trabajo mejor y con mayor seguridad a la velocidad para la que fue diseñada.
- **No utilice la herramienta eléctrica si el interruptor no la enciende y la apaga.** Cualquier herramienta eléctrica que no pueda controlarse con el interruptor es peligrosa y debe repararse.
- **Desconecte el enchufe de la fuente de energía y/o quite la batería de la herramienta eléctrica, si es posible, antes de realizar cualquier ajuste, cambiar accesorios o almacenar las herramientas eléctricas.** Tales medidas preventivas de seguridad disminuyen el riesgo de que la herramienta eléctrica se encienda accidentalmente.
- **Almacene las herramientas eléctricas que no se estén utilizando fuera del alcance de los niños y no permita que personas que no estén familiarizadas con la herramienta eléctrica o con estas instrucciones la utilicen.** Las herramientas eléctricas son peligrosas en manos de usuarios sin capacitación.
- **Dé mantenimiento a las herramientas eléctricas y accesorios. Verifique que no haya desalineación, amarre de partes móviles, partes rotas o alguna otra condición que pueda afectar el funcionamiento de la herramienta eléctrica.** Si se daña, asegúrese de que la herramienta eléctrica sea reparada antes de que se utilice. Muchos accidentes son ocasionados por herramientas eléctricas con mantenimiento deficiente.
- **Utilice la herramienta eléctrica, los accesorios y las puntas, etc. de acuerdo con estas instrucciones, tomando en cuenta las condiciones de trabajo y el trabajo a realizar.** El uso de la herramienta eléctrica para operaciones diferentes a las previstas podría generar una situación peligrosa.
- **Mantenga las empuñaduras y fias superficies de sujeción secas, limpias y libres de aceite y grasa.** Las empuñaduras y superficies de sujeción resbalosas no permiten el manejo y control seguros de la herramienta en situaciones inesperadas.

USO Y CUIDADO DE LAS HERRAMIENTAS CON BATERÍA

- **Recargue únicamente con el cargador especificado por el fabricante.** Un cargador que es adecuado para un tipo de batería puede crear un riesgo de incendio si se utiliza con otra batería.
- **Use las herramientas eléctricas sólo con las baterías específicamente indicadas.** El uso de cualquier otra batería puede producir un riesgo de lesiones e incendio.
- **Cuando la batería no esté en uso, manténgala alejada de otros objetos metálicos como sujeta-papeles, monedas, llaves, clavos, tornillos u otros objetos metálicos pequeños que pueden conectar una terminal con la otra.** Crear un corto entre las terminales de la batería puede ocasionar quemaduras o un incendio.
- **Bajo condiciones de abuso, puede salir líquido expulsado de la batería; evite el contacto.** En caso de contacto accidental, lave con agua. Si el líquido entra en contacto con los ojos, busque también ayuda médica. El líquido expulsado de la batería puede causar irritación o quemaduras.
- **No use una batería o herramienta que se haya dañado o modificado.** Las baterías dañadas o modificadas pueden mostrar un comportamiento impredecible, causando incendios, explosión o riesgo de lesión.

• **No exponga una batería o herramienta al fuego o a temperatura excesiva.** La exposición a fuego o temperatura a más de 130° C (265° F) puede causar explosiones.

• **Siga todas las instrucciones de carga y no cargue la batería o la herramienta fuera del rango de temperatura especificado en las instrucciones.** La carga incorrecta o a temperaturas fuera del rango especificado puede dañar la batería y aumentar el riesgo de incendio.

MANTENIMIENTO

• **Haga que una persona calificada en reparación le realice el servicio a su herramienta eléctrica usando únicamente piezas de repuesto idénticas.** Esto asegurará que se mantenga la seguridad de la herramienta eléctrica.

• **Nunca dé servicio a baterías dañadas.** Únicamente el fabricante o proveedores de servicio autorizados deben dar servicio a las baterías.

• **No modifique ni intente reparar la herramienta ni la batería, excepto según lo indicado en las instrucciones para el uso y cuidado.**

REGLAS ESPECÍFICAS DE SEGURIDAD PARA EL CAUTÍN

• **El contacto con la punta caliente de una herramienta podría incendiar los materiales inflamables. El contacto con la punta caliente podría provocar un incendio.**

• **No apoye ni guarde la herramienta en posición vertical sobre la batería. La herramienta podría caerse, provocando contacto entre la punta caliente y materiales inflamables. Siempre coloque o guarde la herramienta sobre su costado cuando no se esté utilizando.**

• **Mantenga las manos y los dedos detrás de la guarda para los dedos. Pueden ocurrir quemaduras graves si la piel toca la punta.**

• **Extraiga la batería antes de almacenar.** Dichas medidas de seguridad preventivas reducen el riesgo de que la herramienta eléctrica se active por accidente.

• **Trabaje en áreas con buena ventilación.** Soldar puede producir vapores y humo.

• **Válgase siempre de su sentido común y sea cuidadoso cuando utilice herramientas.** No es posible anticipar todas las situaciones que podrían tener un desenlace peligroso. No utilice esta herramienta si no entiende estas instrucciones de uso o si considera que el trabajo a realizar supera sus capacidades, comuníquese con Milwaukee Tool o con un profesional capacitado para recibir capacitación o información adicional.

• **Use equipo de protección personal cuando use químicos, como fundente y pasta para soldar.** Siga todas las instrucciones del fabricante.

• **Conserve las etiquetas y las placas nominales.** Contienen información importante. Si son ilegibles o no están presentes, comuníquese con un centro de servicio MILWAUKEE para obtener un reemplazo gratuito.

• **ADVERTENCIA** Algunos polvos generados por el lijado eléctrico, aserrado, pulido, taladrado y otras actividades de construcción contienen químicos identificados como causantes de cáncer, defectos congénitos u otros daños reproductivos. Algunos ejemplos de estos químicos son:

- plomo de pintura basada en plomo
- dióxido de silicio de los ladrillos y el cemento y otros productos de albañilería y
- arsénico y cromo de madera con tratamiento químico.

Su riesgo por estas exposiciones varía, dependiendo de la frecuencia con que realice este tipo de trabajo. Para reducir su exposición a estos químicos: trabaje en un área bien ventilada y trabaje con equipo de seguridad aprobado, como mascarillas protectoras contra polvo especialmente diseñadas para filtrar partículas microscópicas.

ESPECIFICACIONES

Cat. No.....	2488-20
Volts.....	12 CD
Tipo de batería.....	M12™
Tipo de cargador.....	M12™
Potencia máxima de soldadura (Max).....	90 W
Temperatura de la punta.....	400°C (750°F)
Repuesto de punta redonda.....	49-80-0400
Repuesto de punta biselada.....	49-80-0401
Temperatura ambiente recomendada para operar.....	-18°C to 50°C (0°F to 125°F)

SIMBOLOGÍA



Volts



Corriente continua

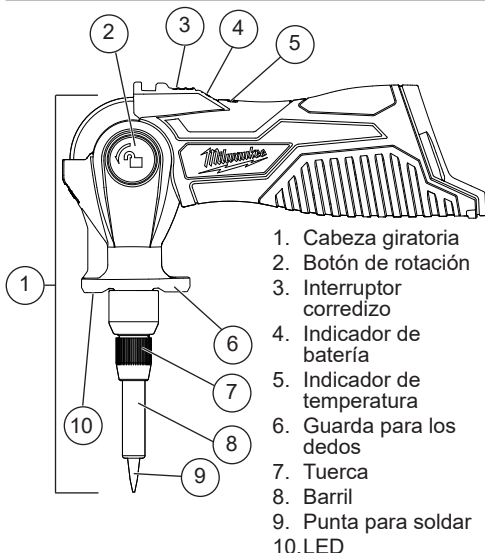


PRECAUCIÓN! Punta caliente. Evitar contacto.



UL Listing Mark para Canadá y Estados Unidos

DESCRIPCIÓN FUNCIONAL



1. Cabeza giratoria
2. Botón de rotación
3. Interruptor corredizo
4. Indicador de batería
5. Indicador de temperatura
6. Guarda para los dedos
7. Tuerca
8. Barril
9. Punta para soldar
10. LED

ENSAMBLAJE

• **ADVERTENCIA** Recargue la batería sólo con el cargador especificado para ella. Para instrucciones específicas sobre cómo cargar, lea el manual del operador suministrado con su cargador y la batería.

Como se inserta/quita la batería en la herramienta

Para **retirar** la batería, presione los botones de liberación y jale de la batería para sacarla de la herramienta.

⚠ADVERTENCIA Para reducir el riesgo de lesiones, extraiga siempre la batería antes de acoplar o desacoplar accesorios. Para introducir la batería, deslícela en el cuerpo de la herramienta. Asegúrese de que quede bien firme en su posición.

⚠ADVERTENCIA Utilice únicamente accesorios específicamente recomendados para esta herramienta. El uso de accesorios no recomendados podría resultar peligroso.

Cambio de la punta para soldar

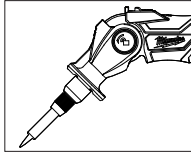
⚠WARNING Asegúrese de que la punta esté fría y de que el indicador de temperatura de la punta esté apagado antes de tocar la punta. Pueden ocurrir quemaduras graves si la piel toca una punta caliente.

Para cambiar la punta:

1. Después de que la punta se haya enfriado y de que el indicador de temperatura de la punta esté apagado, extraiga la batería.
2. Desenrosque la tuerca y quite la tuerca y el barril.
3. Quite la punta y reemplácela.
4. Vuelva a instalar la tuerca y el barril. Apriete bien la tuerca.

Cómo girar la cabeza

Para girar la cabeza en cualquier momento, presione el botón de rotación y gire la cabeza al ángulo deseado.



OPERACION

⚠ADVERTENCIA Con el fin de minimizar el riesgo de lesiones, siempre utilice la protección de ojos adecuada indicada para cumplir con lo dispuesto en la norma ANSI Z87.1.

Mantenga las manos y los dedos detrás de la guarda para los dedos. Pueden ocurrir quemaduras graves si la piel toca una punta caliente.

Cómo soldar

1. Prepare la pieza de trabajo.
2. Gire la cabeza al ángulo deseado.
3. Presione el interruptor corredizo hacia adelante para encender la herramienta.
4. Para bloquear el interruptor, presione hacia abajo el frente del mismo.
5. Permita que la herramienta se caliente por completo.

Indicador de temperatura:

Verde parpadeante → Calentando
Verde fijo → Temp. para fundir soldadura
(204-400°C) (400-750°F))

6. Suelde según los requerimientos del material.
7. Cuando termine, apague la herramienta soltando el interruptor o, si está bloqueada, presionando la parte posterior del interruptor y luego soltando.
8. Mientras aún esté caliente, limpie la punta con una esponja húmeda o alambre para limpieza de latón. **⚠ADVERTENCIA!** Evite el contacto, la punta está caliente y podría ocasionar quemaduras graves.

9. Coloque la herramienta sobre su costado, con la punta alejada de cualquier contacto hasta que se haya enfriado. Punta debe enfriar unos 20 minutos. Indicador de temperatura se apagará cuando se haya enfriado la punta.

Indicador de temperatura:

Rojo fijo → Enfriando

⚠ADVERTENCIA! No toque la punta ni extraiga la batería hasta que el indicador de temperatura se apague, indicando que la herramienta se ha enfriado. Almacenar una herramienta caliente podría provocar un incendio.

MANTENIMIENTO

⚠ADVERTENCIA Para reducir el riesgo de una lesión, desconecte siempre la herramienta antes de darle cualquier mantenimiento. Nunca desarme la herramienta ni trate de hacer modificaciones en el sistema eléctrico de la misma. Acuda siempre a un Centro de Servicio MILWAUKEE para TODAS las reparaciones.

Mantenimiento de las herramientas

Adopte un programa regular de mantenimiento y mantenga su herramienta en buenas condiciones. Inspeccione la herramienta para problemas como ruidos indebidos, desalineadas o agarrotadas de partes móviles, piezas rotas o cualquier otra condición que pueda afectar el funcionamiento de la herramienta. Envíe su herramienta al Centro de Servicio MILWAUKEE para reparación. Después de 6 meses a un año, dependiendo del uso dado, envíe su herramienta al Centro de Servicio MILWAUKEE más cercano para la inspección.

Si la herramienta no arranca u opera a toda su potencia con una batería completamente cargada, limpie, con una goma o borrador, los contactos de la batería y de la herramienta. Si aun así la herramienta no trabaja correctamente, regrésela, con el cargador y la batería, a un centro de servicio MILWAUKEE.

⚠ADVERTENCIA Para reducir el riesgo de lesiones, descarga eléctrica o daño a la herramienta, nunca la sumerja en líquidos ni permita que estos fluyan dentro de la misma.

Limpieza

Mientras aún esté caliente, limpie la punta con una esponja húmeda o alambre para limpieza de latón. También se puede utilizar un limpiador de puntas. **⚠ADVERTENCIA!** Evite el contacto, la punta está caliente y podría ocasionar quemaduras graves. Mantenga los mangos limpios, secos y libres de aceite o grasa. Use solo jabón neutro y un trapo húmedo para limpiar, ya que algunos sustancias y solventes limpiadores son dañinos a los plásticos y partes aislantes. Algunos de estos incluyen: gasolina, turpentina, thinner, lacas, thinner para pinturas, solventes para limpieza con cloro, amoníaco y detergentes caseros que tengan amonía. Nunca use solventes inflamables o combustibles cerca de una herramienta.

Reparaciones

Si su herramienta, batería o cargador están dañados, envíela al centro de servicio más cercano.

ACCESORIOS

⚠️ ADVERTENCIA Utilice sólo los accesorios específicamente recomendados. Otros accesorios puede ser peligroso.

Para una lista completa de accesorios, visite nuestro sitio en Internet: www.milwaukeeetool.com o póngase en contacto con un distribuidor.

SOPORTE DE SERVICIO - MEXICO

CENTRO DE ATENCION A CLIENTES

Techtronic Industries Mexico, S.A. de C.V.

Av. Presidente Masarik 29 Piso 7

11560 Polanco V Seccion

Miguel Hidalgo, Distrito Federal, México

01 (800) 030-7777 o (55) 4160-3540

Lunes a Viernes (9am a 6pm)

O contáctanos en www.milwaukeeetool.com mx

GARANTÍA LIMITADA - E.U.A. Y CANADÁ

Cada herramienta eléctrica* MILWAUKEE (vea las excepciones más adelante) se garantiza al comprador original únicamente contra defectos en materiales y mano de obra. Sujeto a ciertas excepciones, MILWAUKEE reparará o reemplazará cualquier parte de una herramienta eléctrica que, tras una revisión, MILWAUKEE determine que tiene defectos en material o mano de obra durante un período de cinco (5) años** después de la fecha de compra, a menos que se indique lo contrario. Se requiere que se envíe la herramienta eléctrica a un Centro de Servicio de fábrica de MILWAUKEE o a una Estación de Servicio Autorizada de MILWAUKEE, con flete prepagado y asegurado. Debe incluirse una copia del comprobante de compra con el producto enviado. Esta garantía no aplica a daños que MILWAUKEE determine que son ocasionados por reparaciones o intentos de reparaciones realizados por una persona que no sea personal autorizado de MILWAUKEE, uso indebido, alteraciones, maltrato, desgaste normal, falta de mantenimiento o accidentes.

Desgaste normal: Muchas herramientas eléctricas necesitan reemplazos periódicos de partes y servicio para lograr el mejor rendimiento. Esta garantía no cubre la reparación cuando el uso normal ha agotado la vida útil de una parte, incluyendo, entre otras, mandriles, cepillos, cables, zapatas de sierra, abrazaderas de hoja, juntas tóricas, sellos, parachoques, cuchillas de propulsión, pistones, percutores, elevadores y arandelas de la cubierta del parachoques.

*Esta garantía no cubre las clavadoras y grapadoras neumáticas, pulverizador de pintura sin aire, baterías inalámbricas, generadores portátiles accionados por gasolina, herramientas manuales, polipasto eléctrico, de palanca y cadena manual, prendas calefactadas M12™; productos reacondicionados, y productos de prueba y medicación. Hay garantías independientes y distintas disponibles para estos productos.

**El periodo de garantía de los radios para obra, puerto de energía M12™, fuente de poder M18™, ventilador para obra y carros de trabajo industriales Trade Titan™ es de un (1) año a partir de la fecha de compra. El periodo de garantía de los cables de limpieza de drenaje es de dos (2) años desde la fecha de compra. El periodo de garantía del LED de la lámpara de trabajo LED y el foco de cambio a LED para la lámpara de trabajo es por toda la vida del producto, sujeto a las limitaciones mencionadas anteriormente. Si durante el uso normal falla el LED o el foco LED, la parte se reemplazará sin cargo alguno. No es necesario el registro de la garantía para obtener la garantía correspondiente para un producto de herramienta eléctrica MILWAUKEE. La fecha de manufactura del producto se utilizará para determinar el periodo de garantía si no se proporciona comprobante de compra al solicitar el servicio en garantía.

LA ACEPTACION DE LOS REMEDIOS EXCLUSIVOS DE REPARACION Y REEMPLAZO AQUÍ DESCRITOS ES UNA CONDICION DEL CONTRATO PARA LA COMPRA DE TODO PRODUCTO DE MILWAUKEE. SI USTED NO ACEPTA ESTA CONDICION, NO DEBE COMPRAR EL PRODUCTO. MILWAUKEE NO SERA RESPONSABLE EN NINGUN CASO DE DAÑOS INCIDENTALES, ESPECIALES, EMERGENTES O PUNITIVOS, NI DE NINGUN COSTO, HONORARIOS LEGALES, GASTOS, PERDIDAS O DEMORAS ALEGADOS COMO

CONSECUENCIA DE ALGUN DAÑO, FALLA O DEFECTO EN NINGUN PRODUCTO, INCLUYENDO, ENTRE OTROS, RECLAMACIONES POR PERDIDA DE UTILIDADES. ALGUNOS ESTADOS NO PERMITEN LA EXCLUSION O LIMITACION DE RESPONSABILIDAD POR DAÑOS INCIDENTALES O EMERGENTES, POR LO QUE LA ANTERIOR LIMITACION O EXCLUSION PODRIA NO APLICARSE EN SU CASO. ESTA GARANTIA ES EXCLUSIVA Y REEMPLAZA TODAS LAS DEMAS GARANTIAS EXPRESAS, ESCRITAS U ORALES. EN LA MEDIDA EN QUE LO PERMITA LA LEY, MILWAUKEE DESCONOCE CUALQUIER GARANTIA IMPLICITA, INCLUYENDO, SIN LIMITACION, CUALQUIER GARANTIA IMPLICITA DE COMERCIABILIDAD O IDEONEIDAD PARA UN FIN O USO ESPECIFICO; EN LA MEDIDA EN QUE DICHO DESCONOCIMIENTO NO SEA PERMITIDO POR LA LEY, DICHAS GARANTIAS IMPLICITAS SE LIMITAN A LA DURACION DE LA GARANTIA EXPRESA CORRESPONDIENTE SEGUN SE DESCRIBIO ANTERIORMENTE. ALGUNOS ESTADOS NO PERMITEN LIMITACIONES SOBRE LA DURACION DE UNA GARANTIA IMPLICITA, POR LO QUE LA ANTERIOR LIMITACION PUDIERA NO APLICARSE A USTED. ESTA GARANTIA LE DA DERECHOS LEGALES ESPECIFICOS Y USTED PODRIA ADENMAS TENER OTROS DERECHOS QUE VARIAN DE UN ESTADO A OTRO. Esta garantía aplica a productos vendidos en los Estados Unidos y en Canadá únicamente.

Consulte la 'Búsqueda de Centros de Servicio' en la sección de Refacciones y Servicio del sitio web de MILWAUKEE www.milwaukeeetool.com o llame al 1.800.SAWDUST (1.800.729.3878) para localizar el centro de servicio más cercano para servicio dentro y fuera de la garantía para una herramienta eléctrica Milwaukee.

PÓLIZA DE GARANTÍA - VALIDA SOLO PARA MÉXICO, AMÉRICA CENTRAL Y EL CARIBE

La garantía de TECHTRONIC INDUSTRIES es por 5 años a partir de la fecha original de compra.

Esta tarjeta de garantía cubre cualquier defecto de material y mano de obra en ese Producto.

Para hacer válida esta garantía, presente esta tarjeta de garantía, cerrada/sellada por el distribuidor o la tienda donde compró el producto, al Centro de Servicio Autorizado (ASC). O, si esta tarjeta no se ha cerrado/sellado, presente la prueba original de compra a ASC. Llame 55 4160-3547 para encontrar el ASC más cercano, para servicio, partes, accesorios o componentes.

Procedimiento para hacer válida esta garantía

Lleve el producto a ASC, junto con la tarjeta de garantía cerrada/sellada por el distribuidor o la tienda donde compró el producto, y cualquier pieza o componente defectuoso se reemplazará sin costo para usted. Cubriremos todos los costos de flete con relación a este proceso de garantía

Excepciones

Esta garantía no tendrá validez en las siguientes situaciones:

- Cuando el producto se use de manera distinta a la que indica el manual del usuario final o de instrucciones.
- Cuando las condiciones de uso no sean normales.
- Cuando otras personas no autorizadas por TECHTRONIC INDUSTRIES modifiquen o reparen el producto.

Nota: si el juego de cables está dañado, tiene que reemplazarse en un Centro de Servicio Autorizado para evitar riesgos eléctricos.

CENTRO DE SERVICIO Y ATENCIÓN

Llame al 55 4160-3547

IMPORTADO Y COMERCIALIZADO POR
TECHTRONIC INDUSTRIES, MÉXICO, S.A. DE C.V.
Miguel de Cervantes Saavedra No.301 Piso 5, Torre Norte
11520 Colonia Ampliación Granada
Miguel Hidalgo, Ciudad de Mexico, Mexico

Modelo: _____

Fecha de Compra: _____

Sello del Distribuidor: _____

MILWAUKEE TOOL
13135 West Lisbon Road
Brookfield, WI 53005 USA

58142488d5
11/18

01607700501Q-02(A)
Printed in Thailand