



RHB-LED

LED Round Highbay



RHB1-LED100/150



RHB2-LED240



RHB3-LED300

| SPECIFICATIONS* | RHB1-LED100 | RHB1-LED150 | RHB2-LED240 | RHB3-LED300 |
|------------------|--|-------------|-------------|----------------|
| Watts | 100 | 150 | 238 | 302 |
| Lumens | 14332 | 21791 | 34987 | 44765 |
| Efficacy | 143.4 | 145.8 | 146.7 | 148.4 |
| Replaces Up To | 250W MH | 400W MH | 750W MH | 1000W MH |
| Color Temp | 4000K*, 5000K* | | | |
| Certification | cULus, IP65 | | | |
| Operating Temp | -40°C to +50°C | | | |
| Voltage | 120-277V, 347V | | | 120-277V, 347V |
| LED Life | L90 at 50,000 Hours | | | |
| Housing Material | Cast Aluminum | | | |
| Lens Material | Polycarbonate | | | Tempered Glass |
| Finish | Black | | | |
| Mounting Options | Pendant Mount, Suspended Mount, Yoke Mount | | | |
| Dimming | 0-10V Dimming* | | | |

*Standard



DESCRIPTION

Durable and efficient LED Highbay with optimal widespread illumination ideal for warehouses, factories, gyms and other highbay applications.

APPLICATIONS



Warehouses



Manufacturing



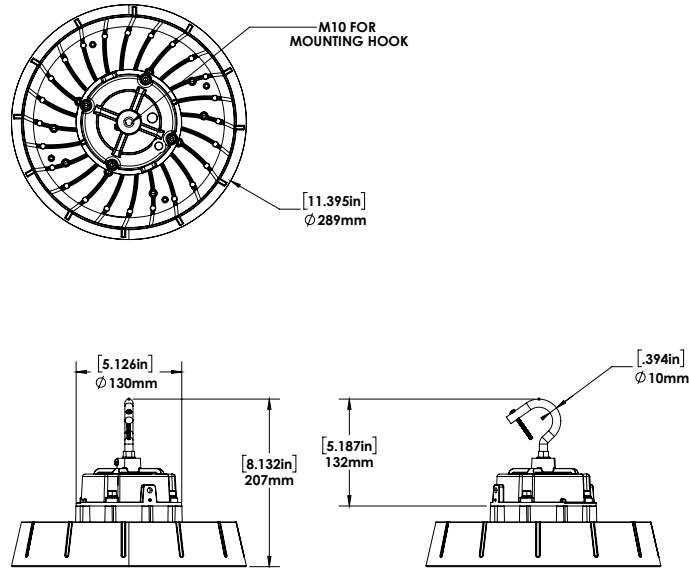
Factories

FEATURES

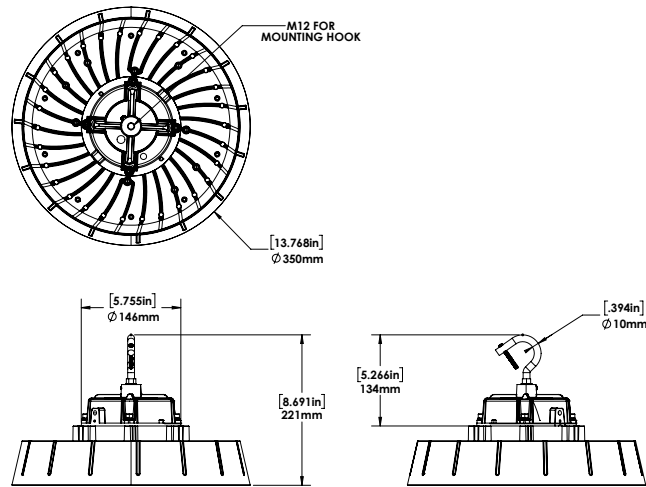
- Ruggedly designed with die cast aluminum housing and clear polycarbonate lens for RHB1/2, RHB3 has a tempered glass lens.
- Improved heat sink design - Large heat sink with space between LEDs and driver to extend fixture lifespan.
- Fixture can be suspended, pendant or yoke mounted. All units come with mounting hook for easy installation. Yoke mount accessory available as option. Yoke must be purchased and attached to the fixture for pendant mount version.
- A full range of accessories including polycarbonate and aluminum reflectors, sensor option.
- Motion sensor is optional. Standard unit comes with a shorting cap that can be removed to install the motion sensor on the field.
- Fixture comes with a two meter cord.

FIXTURE DIMENSIONS

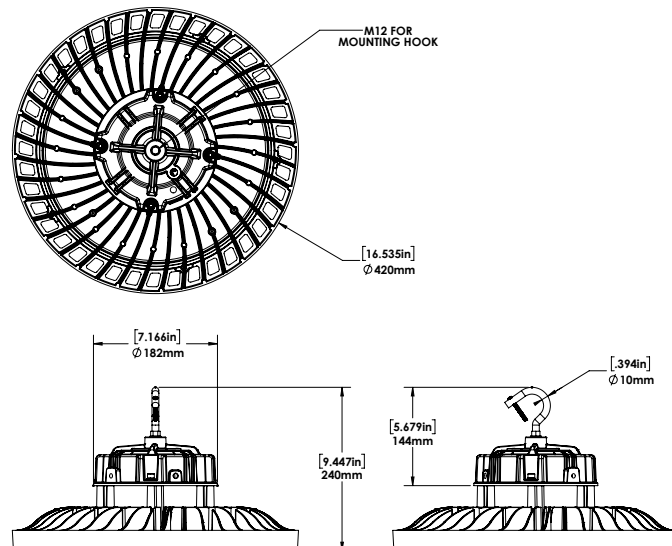
RHB1-LED100/150



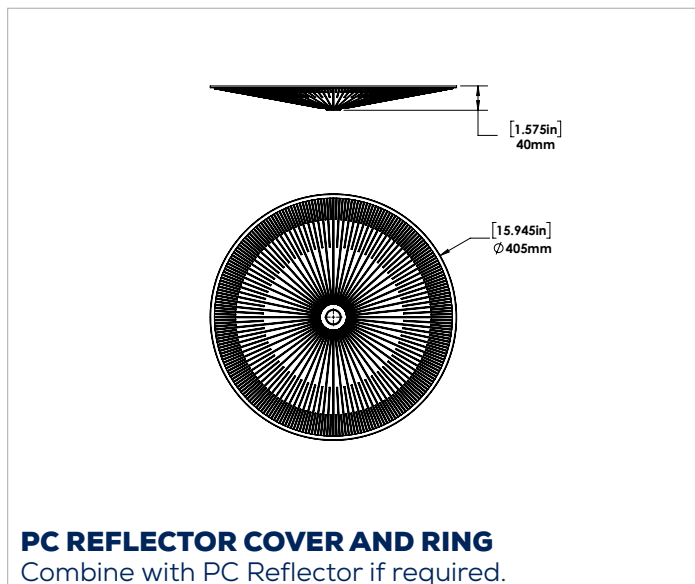
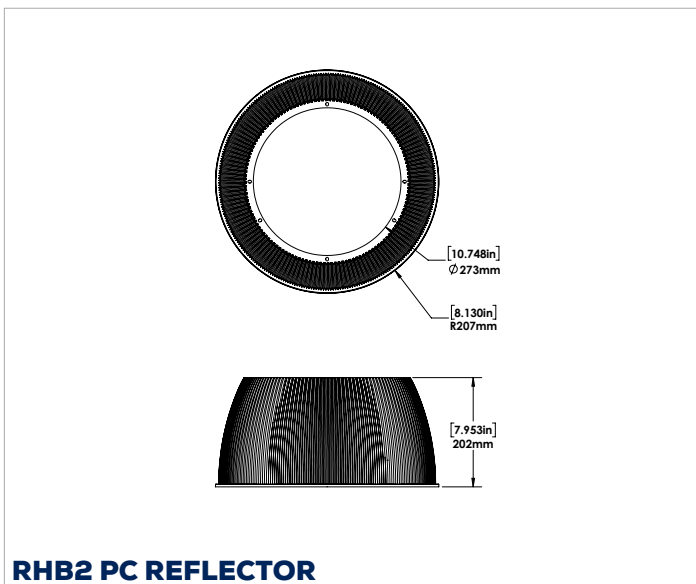
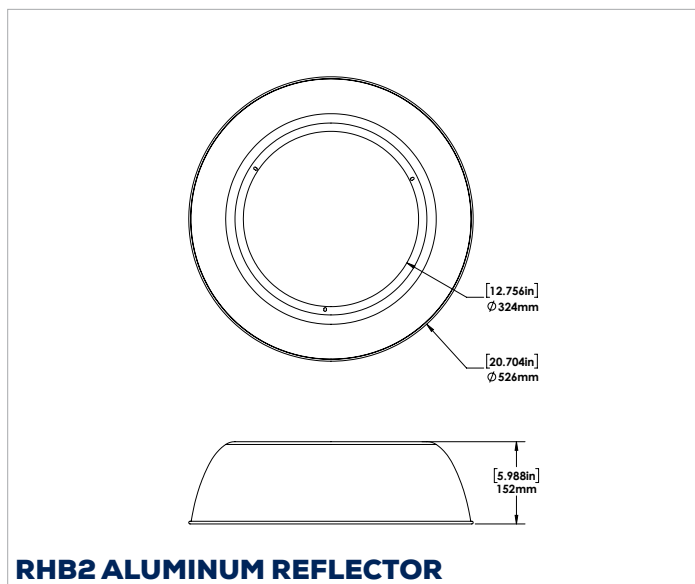
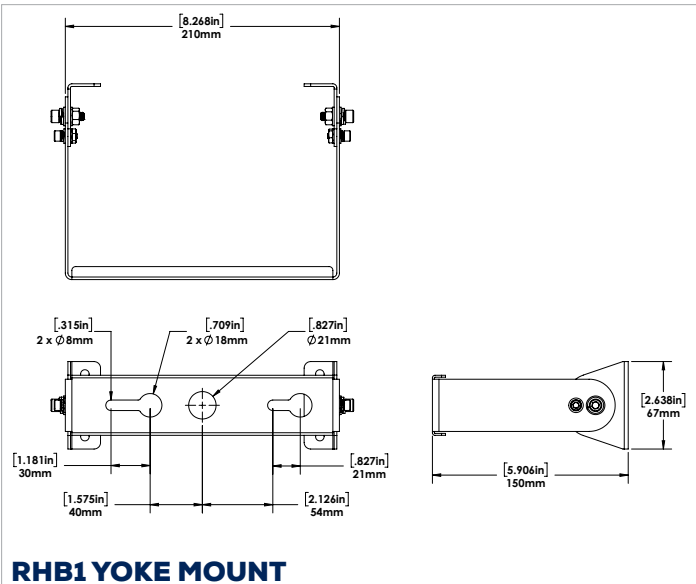
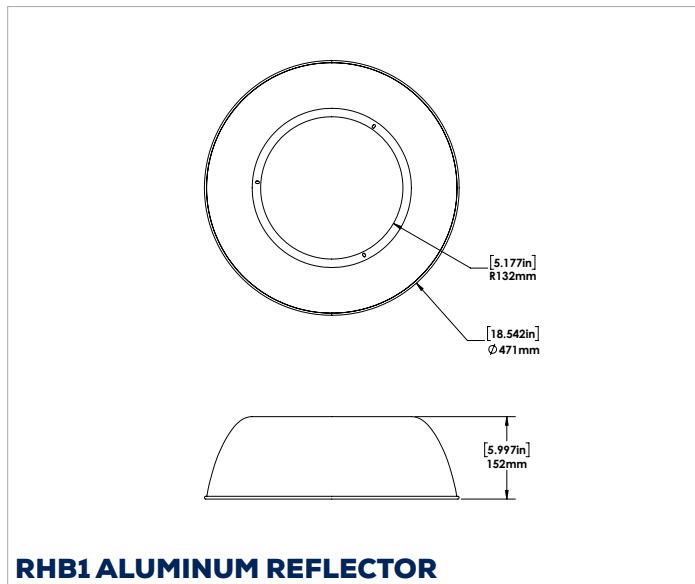
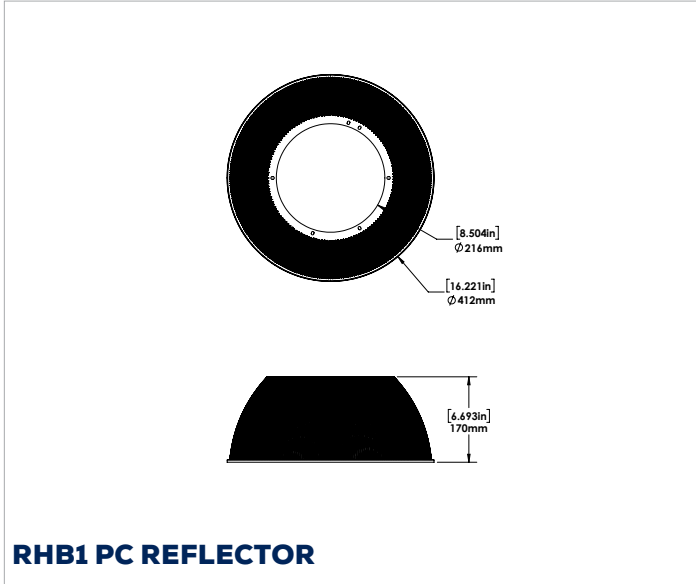
RHB2-LED240



RHB3-LED300

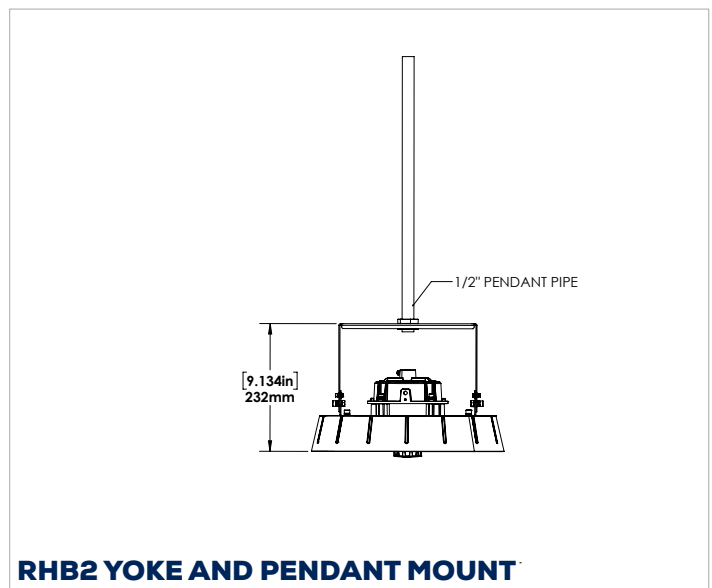
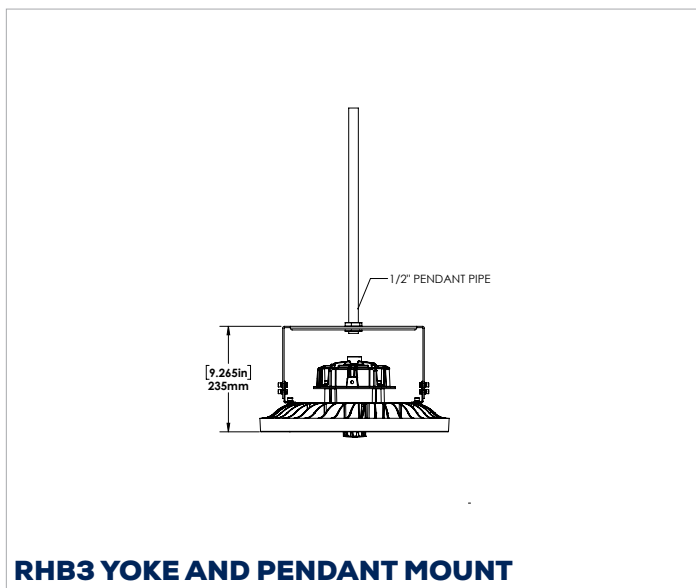
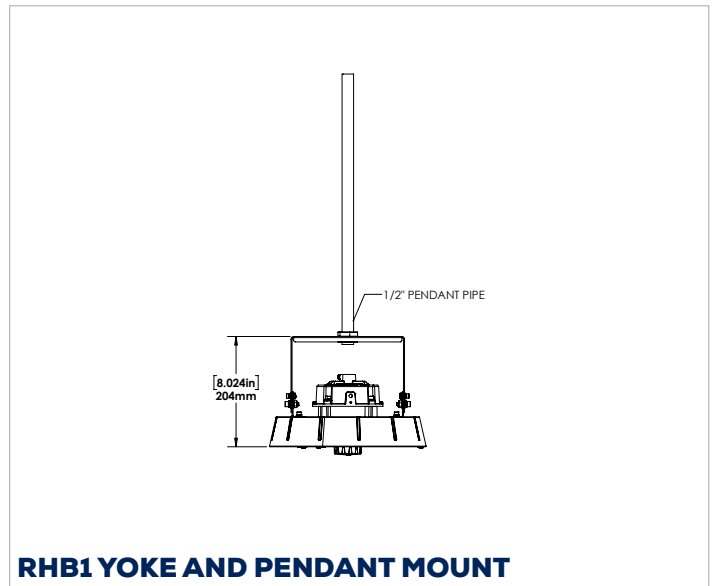
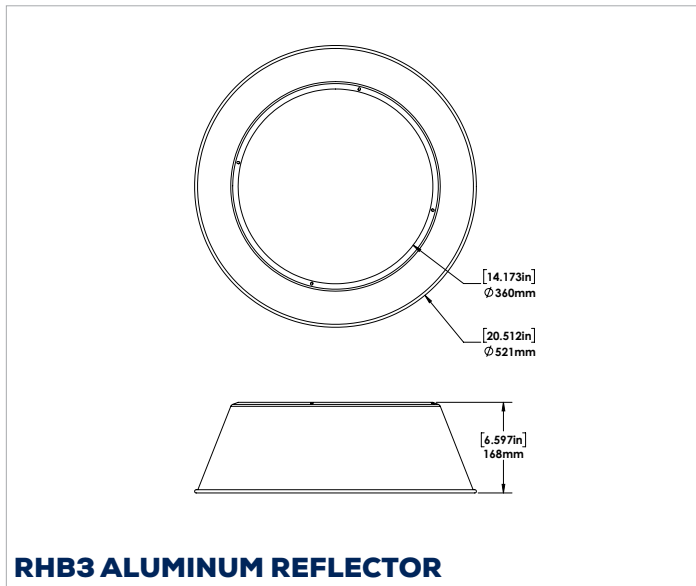
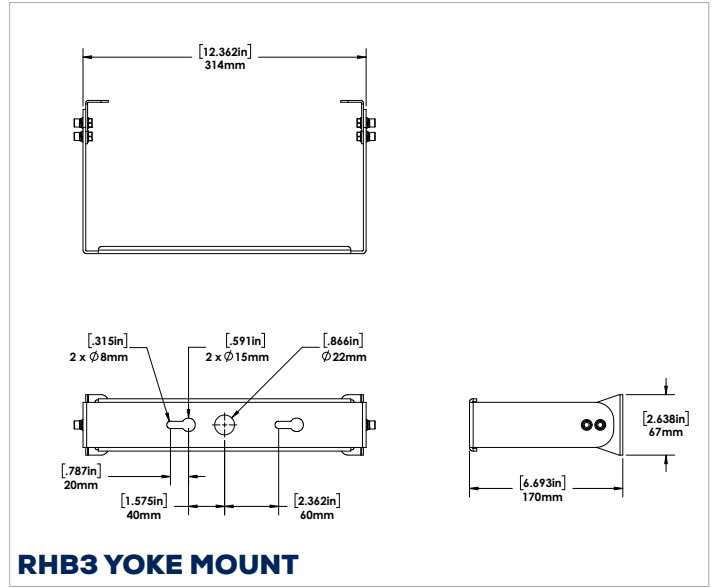
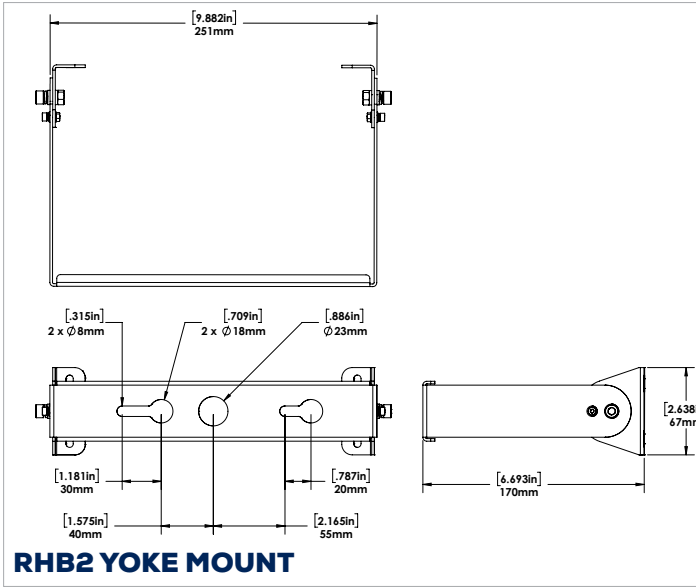


ACCESSORY DIMENSIONS



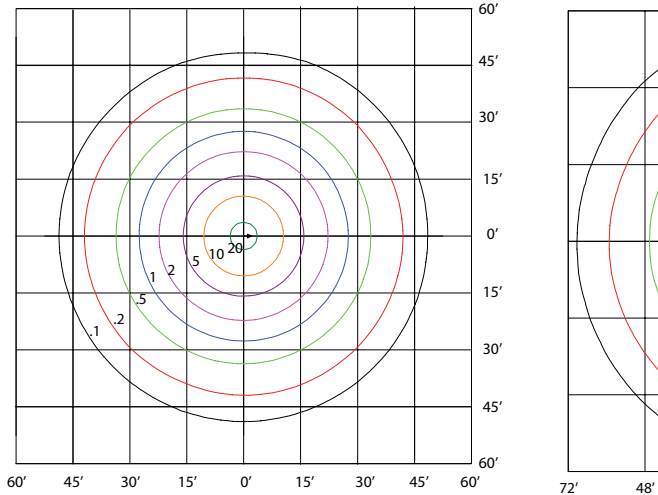
PC REFLECTOR COVER AND RING
Combine with PC Reflector if required.

ACCESSORY DIMENSIONS

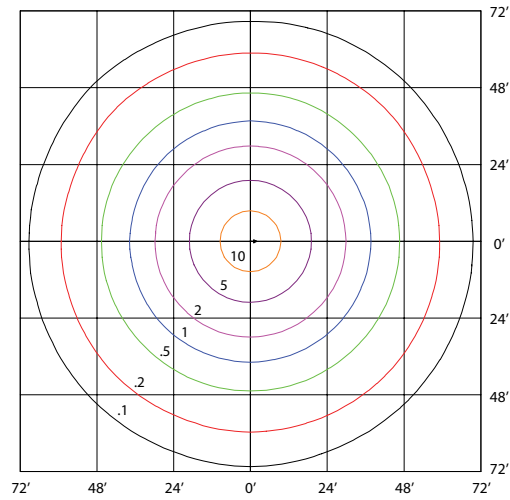


PHOTOMETRICS

RHB1-LED100/150 RHB1-LED100-B-4K-BLK
MOUNTED AT 15 FEET

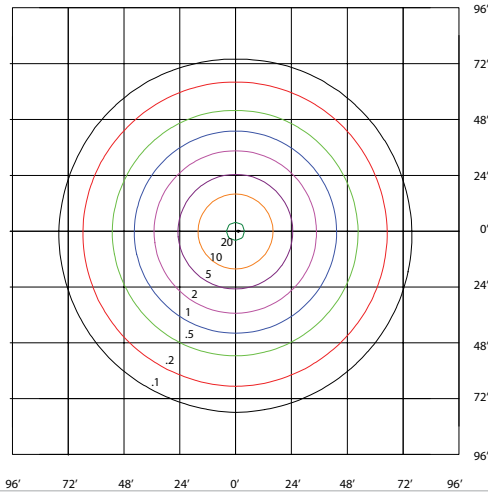


RHB1-LED150-B-4K-BLK
MOUNTED AT 24 FEET



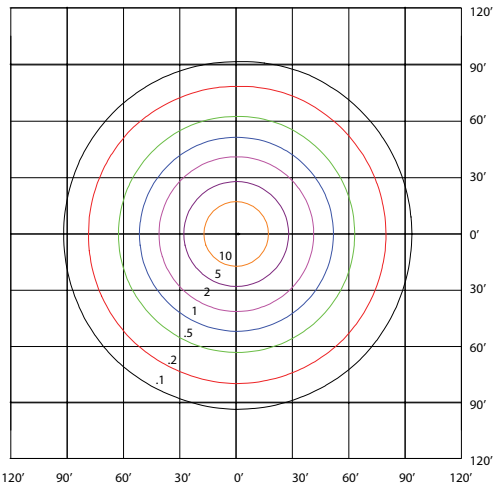
RHB2-LED240

RHB2-LED240-B-4K-BLK
MOUNTED AT 24 FEET



RHB3-LED300

RHB3-LED300-B-4K-BLK
MOUNTED AT 30 FEET



OTHER MODEL SPECIFICATIONS

| MODEL DESCRIPTION | VOLTAGE (V) | INPUT POWER | LIGHT OUTPUT | EFFICACY (Lm/W) | CLASSIFICATION | THD | PF | CCT(K) | CRI |
|---|-------------|-------------|--------------|-----------------|----------------|------|-------|--------|------|
| RHB1-LED100-H-4K-XXX-DIM-[Blank, DMS]-PCL | 120-347 | 103 | 14953 | 145.4 | Premium | 15.0 | 0.900 | 4000 | 80.0 |
| RHB1-LED100-H-5K-XXX-DIM-[Blank, DMS]-PCL | 120-347 | 103 | 15169 | 147.0 | Premium | 15.0 | 0.900 | 5000 | 80.0 |
| RHB1-LED100-B-4K-XXX-DIM-[Blank, DMS]-PCL | 120-277 | 100 | 14332 | 143.4 | Premium | 15.0 | 0.900 | 4000 | 80.0 |
| RHB1-LED100-B-5K-XXX-DIM-[Blank, DMS]-PCL | 120-277 | 100 | 14540 | 145.5 | Premium | 15.0 | 0.900 | 5000 | 80.0 |
| RHB1-LED150-H-4K-XXX-DIM-[Blank, DMS]-PCL | 120-347 | 152 | 22089 | 145.0 | Premium | 15.0 | 0.900 | 4000 | 80.0 |
| RHB1-LED150-H-5K-XXX-DIM-[Blank, DMS]-PCL | 120-347 | 152 | 22332 | 146.5 | Premium | 15.0 | 0.900 | 5000 | 80.0 |
| RHB1-LED150-B-4K-XXX-DIM-[Blank, DMS]-PCL | 120-277 | 150 | 21791 | 145.8 | Premium | 15.0 | 0.900 | 4000 | 80.0 |
| RHB1-LED150-B-5K-XXX-DIM-[Blank, DMS]-PCL | 120-277 | 150 | 22030 | 147.3 | Premium | 15.0 | 0.900 | 5000 | 80.0 |
| RHB2-LED240-H-4K-XXX-DIM-[Blank, DMS]-PCL | 120-347 | 247 | 35864 | 145.3 | Premium | 15.0 | 0.900 | 4000 | 80.0 |
| RHB2-LED240-H-5K-XXX-DIM-[Blank, DMS]-PCL | 120-347 | 247 | 36296 | 146.8 | Premium | 15.0 | 0.900 | 5000 | 80.0 |
| RHB2-LED240-B-4K-XXX-DIM-[Blank, DMS]-PCL | 120-277 | 238 | 34987 | 146.7 | Premium | 15.0 | 0.900 | 4000 | 80.0 |
| RHB2-LED240-B-5K-XXX-DIM-[Blank, DMS]-PCL | 120-277 | 239 | 35487 | 148.8 | Premium | 15.0 | 0.900 | 5000 | 80.0 |
| RHB3-LED300-B-4K-XXX-DIM-[Blank, DMS]-TG | 120-277 | 302 | 44765 | 148.4 | Premium | 15.0 | 0.900 | 4000 | 80.0 |
| RHB3-LED300-B-5K-XXX-DIM-[Blank, DMS]-TG | 120-277 | 302 | 45215 | 149.9 | Premium | 15.0 | 0.900 | 5000 | 80.0 |
| RHB3-LED300-C-4K-XXX-DIM-[Blank, DMS]-TG | 347 | 299 | 42899 | 143.6 | Premium | 15.0 | 0.900 | 4000 | 80.0 |
| RHB3-LED300-C-5K-XXX-DIM-[Blank, DMS]-TG | 347 | 300 | 43272 | 144.5 | Premium | 15.0 | 0.900 | 5000 | 80.0 |

LEGEND

B - 120V-277V, C - 347V, H - 120-347V

4K - 4000K, 5K - 5000K

XXX - HOUSING FINISH

DIM - DIMMABLE

PCL - Polycarbonate lens, TG Tempered Glass

AMPERAGE DRAW & SURGE PROTECTION

| | WATTS | CURRENT (A) | | | | | SURGE PROTECTION (KV) | |
|-------------|-------|-------------|-------|-------|-------|-------|-----------------------|---------|
| | | 120 | 208 | 240 | 277 | 347 | 120-277 | 120-347 |
| RHB1-LED100 | 100 | 0.875 | 0.505 | 0.438 | 0.379 | 0.303 | 6 | 6 |
| RHB1-LED150 | 150 | 1.313 | 0.757 | 0.656 | 0.569 | 0.454 | 6 | 6 |
| RHB2-LED240 | 240 | 2.100 | 1.212 | 1.050 | 0.910 | 0.726 | 6 | 6 |
| RHB3-LED300 | 300 | 2.625 | 1.514 | 1.313 | 1.137 | 0.908 | 6 | 6 |

LUMEN MAINTENANCE

| Hours | 50,000 | 75,000 | 100,000 |
|-------------|--------|--------|---------|
| RHB1-LED100 | 90.3% | 85.7% | 81.4% |
| RHB1-LED150 | 90.3% | 85.7% | 81.4% |
| RHB2-LED240 | 90.3% | 85.7% | 81.4% |
| RHB3-LED300 | 90.3% | 85.7% | 81.4% |

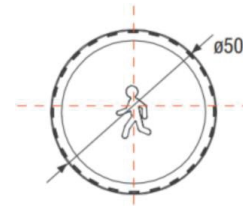
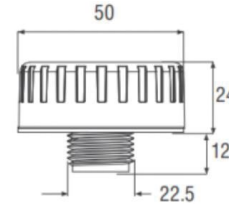
MOTION SENSOR SPECIFICATIONS

RHB DIMMING HIGH FREQUENCY MOTION SENSOR



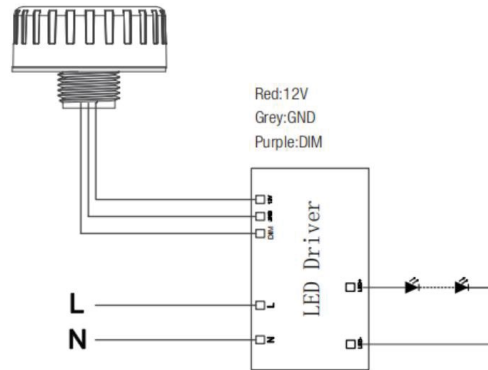
FEATURES AND DIMENSIONS

| | |
|------------------------|--|
| Mounting height | Max. 15m (ceiling mounted) |
| Detection range | Max.ø14m (ceiling mounted) ; Max.ø20m (wall mounted) |
| Microwave frequency | 5.8G±75MHz |
| Microwave power | <0.3mW |
| Operating voltage | 10-15VDC |
| Operating current | 30mA±5% |
| Output | DIM 1-10V |
| Stand-by power | <0.5W |
| Detection area | 25%/50%/75%/100% |
| Hold time | 5s/30s/1min/3min/5min/10min/20min/30min |
| Daylight threshold | 2Lux/10Lux/30Lux/50Lux/80Lux/120Lux/Disable |
| Stand-by period | 0s/10s/30s/1min/5min/10min/30min/+∞ |
| Stand-by dimming level | 10%/20%/30%/50% |
| Operating temperature | -20°C - +60°C |
| Detection angle | 30°-150° |
| Warranty | 5 years |
| IP rating | IP 65 |
| Lifetime | 50000 hours |



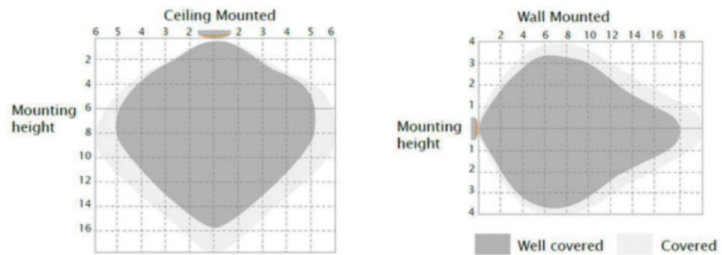
WIRING DIAGRAM

The motion sensor socket comes preinstalled and wired with the RHB-LED luminaire. The wiring diagram is as follows.



DETECTION PATTERN

Depending on the fixture and its application, the detection pattern may change slightly. When installed at a typical installation height of 8-15m and with 100% sensitivity, the detection pattern will be as shown on the images



MOTION SENSOR SPECIFICATIONS

RHB DIMMING HIGH FREQUENCY MOTION SENSOR



SENSOR SETTINGS USING REMOTE CONTROL

Scene Mode:

These are pre-set scenes for quick setup of the motion sensor.

| Scene mode | Detection area | Hold time | Daylight threshold | Stand-by period | Stand-by dimming level |
|------------|----------------|-----------|--------------------|-----------------|------------------------|
| SC1 | 100% | 30s | 2Lux | 1min | 10% |
| SC2 | 100% | 5min | 10Lux | 10min | 10% |
| SC3 | 100% | 10min | 50Lux | 30min | 10% |
| SC4 | 100% | 30min | Disable | +∞ | 10% |

Detection Area:

This determines the range which the sensor will detect motion. Detection area can be changed by selecting 25% / 50% / 75% / 100%
 Default Setting: 100%

Hold Time:

Refers to the time period the light remains at 100% when motion is first detected.
 Default Setting: 5 seconds

Standby Dimming Level:

Refers to the dimmed light level after the hold time expires and no motion is detected.
 Default Setting: 10%

Stand-by Period

Refers to the time period the light remains at a low light level before it completely switches off in the long absence of motion. When set to "+∞" mode, the low dimmed light is maintained indefinitely until motion is detected again.
 Default Setting: 0 seconds

Daylight Sensor

The sensor can be set to only allow the fixture to illuminate below a defined ambient brightness threshold. When set to "Disable", the daylight sensor will not sense any ambient light and the motion sensor will switch on the lamp when motion is detected regardless of ambient light level.
 Default Setting: Disabled

ORDERING GUIDE

| WATTS | VOLTAGE | COLOUR TEMP. | FINISH | DIM | LENS |
|-------------|----------------------|--------------|-------------|---------------------|---------------------------------------|
| RHB1-LED100 | B - 120 - 277V* | 4K - 4000K* | BLK - BLACK | DIM - 0-10V Dimming | PCL - Polycarbonate Lens (for RHB1/2) |
| RHB1-LED150 | H - 120-347V | 5K - 5000K* | | | |
| RHB2-LED240 | | | | | |
| RHB3-LED300 | B-120-277V C-347V | | | | TG - TEMPERED GLASS (for RHB3) |

FIELD INSTALLED ACCESSORIES

CHECK THE ACCESSORIES YOU WISH TO ORDER:

- | | |
|--------------------------------|---|
| 080564 RHB1 YOKE BLK | 080587 RHB3 YOKE BLK |
| 080565 RHB1 ALUMINUM REFLECTOR | 080588 RHB3 ALUMINUM REFLECTOR |
| 080567 RHB1 PC REFLECTOR | 080598 RHB PC REFLECTOR COVER & RING |
| 080577 RHB2 YOKE BLK | 080570 RHB1/RHB2/RHB3 DC MOTION SENSOR |
| 080566 RHB2 ALUMINUM REFLECTOR | 080571 RHB1/RHB2/RHB3 SENSOR REMOTE CONTROL |
| 080568 RHB2 PC REFLECTOR | |

*Standard