



SQ-LED80

Square Canopy Light

SPECIFICATIONS*

Watts	80
Lumens	9548
Efficacy	119
Replaces Up To	250W MH
Colour Temp	4,000K
Operating Temp	-40°C to +40°C
Voltage	120-277, 347
LED Life	100,000 hours
Housing Material	Die Cast Aluminum
Lens Material	Polycarbonate
Power Factor	0.9
Total Harmonic Distortion	12.32%



DESCRIPTION

Rugged, high efficiency, easy to install canopy fixture that can be surface or pendant mounted. 0 - 10V dimming is standard with High Frequency Motion Sensor available as an option.

APPLICATIONS



Entrances



Canopies



Garages



Stairwells

FEATURES

- IP65 rated canopy fixture for wet locations.
- Fixture has polycarbonate diffuser lens to eliminate glare.
- Fixture has 4 x 1/2" NPT conduit entries on each side.
- Pendant mount option available with 3/4" NPT opening at the back of the fixture.

*The above specs apply to the standard product configuration - SQ-LED80, 120-277V, 5K. For spec information on other product configurations please see page 2. **NOTE:** Not all of our product configurations are qualified on the DLC QPL. To view all of our DLC qualified products please visit the DLC qualified products list at www.designlights.org/qpl.

OTHER MODEL SPECIFICATIONS

MODEL DESCRIPTION	VOLTAGE (V)	INPUT POWER (W)	LIGHT OUTPUT	EFFICACY (Lm/W)	THD	PF
SQ-LED80-B-4K-XXX-DIM	120-277	79.63	9548.4	119.91	12.32	0.9
SQ-LED80-C-4K-XXX-DIM	347	73.51	8909	121.19	12.02	0.95

LEGEND

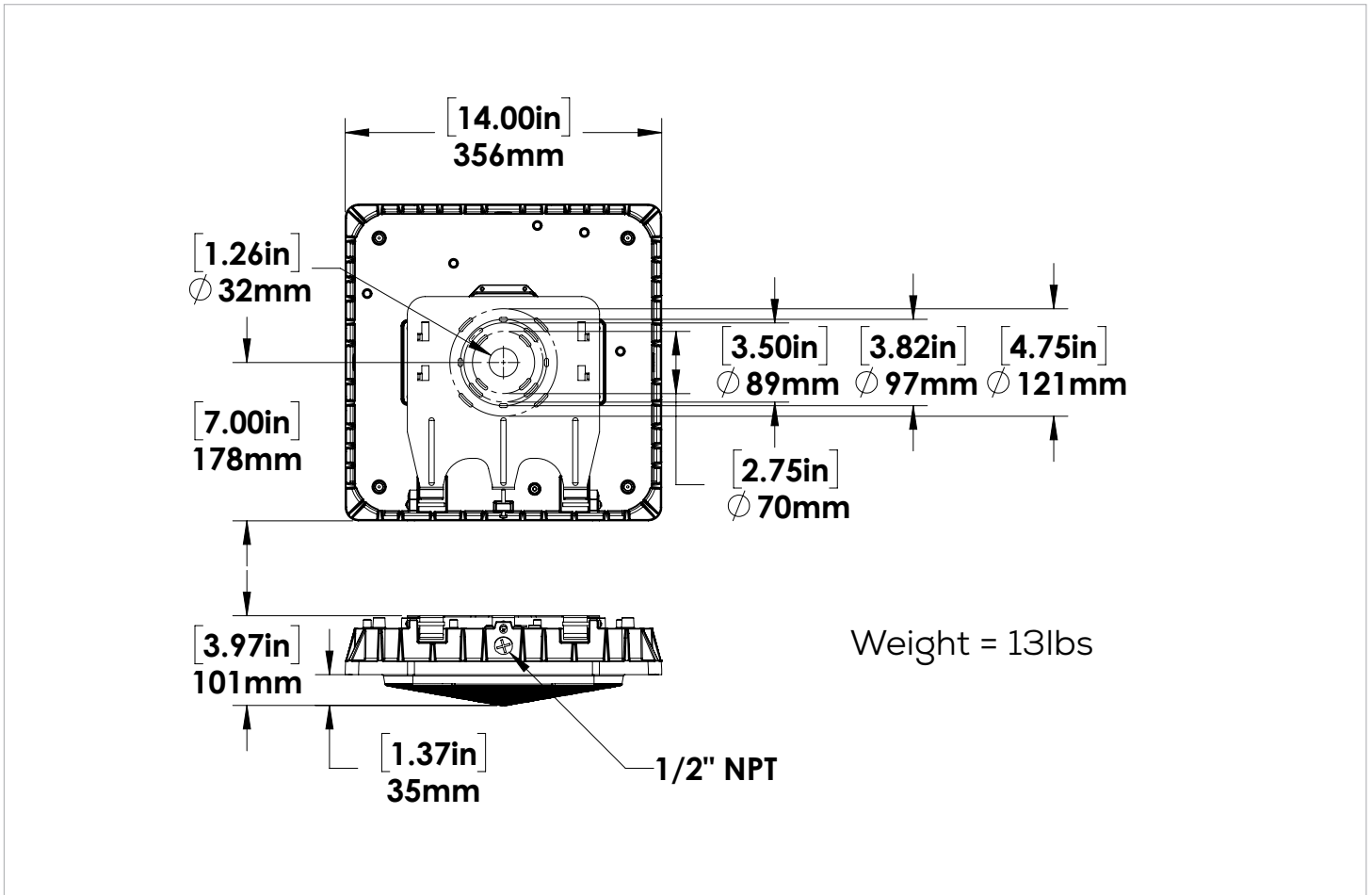
B - 120V-277V, C - 347V

4K - 4000K

XXX - HOUSING FINISH

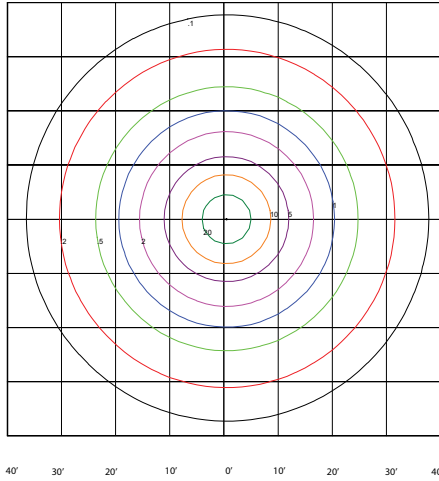
DIM - DIMMABLE

DIMENSIONS



PHOTOMETRICS

SQ-LED80-B-4K-DIM MOUNTED AT 10 FEET



PHOTOMETRIC FILENAME : SQ-LED80-B-4K-DIM-BRZ.IES

COEFFICIENTS OF UTILIZATION - ZONAL CAVITY METHOD

Effective Floor Cavity Reflectance 0.20

RC	80	70	50	30	10	0
RW	70 50 30 10	70 50 30 10	50 30 10	50 30 10	50 30 10	0
0	119 119 119 119	116 116 116 116	111 111 111	106 106 106	102 102 102	100
1	108 103 99 95	105 101 97 93	96 93 90	92 90 87	89 87 85	82
2	98 90 83 77	96 88 81 76	84 79 74	81 76 72	78 74 71	68
3	90 79 70 64	87 77 69 63	74 67 62	71 66 61	69 64 60	58
4	82 70 61 54	80 68 60 54	66 59 53	63 57 52	61 56 51	49
5	75 62 53 46	73 61 53 46	59 51 46	57 50 45	55 49 45	42
6	70 56 47 41	68 55 47 40	53 46 40	52 45 40	50 44 39	37
7	65 51 42 36	63 50 42 36	48 41 35	47 40 35	46 39 35	33
8	60 46 38 32	58 46 38 32	44 37 32	43 36 31	42 36 31	29
9	56 43 34 29	55 42 34 29	41 34 28	40 33 28	39 33 28	26
10	53 39 31 26	51 39 31 26	38 31 26	37 30 26	36 30 26	24

ZONAL LUMEN SUMMARY

Zone	Lumens	%Lamp	%Fixt
0-20	1207.8	N.A.	12.80
0-30	2556.53	N.A.	27.10
0-40	4164.75	N.A.	44.10
0-60	7305.69	N.A.	77.40
0-80	9113.09	N.A.	96.50
0-90	9407.46	N.A.	99.60
10-90	9093.78	N.A.	96.30
20-40	2956.95	N.A.	31.30
20-50	4612.97	N.A.	48.90
40-70	4268.12	N.A.	45.20
60-80	1807.39	N.A.	19.10
70-80	680.20	N.A.	7.20
80-90	294.39	N.A.	3.10
90-110	19.38	N.A.	0.20
90-120	21.70	N.A.	0.20
90-130	24.56	N.A.	0.30
90-150	29.97	N.A.	0.30
90-180	33.98	N.A.	0.40
110-180	14.61	N.A.	0.20
0-180	9441.45	N.A.	100.00

Total Luminaire Efficiency = N.A.%

ZONAL LUMEN SUMMARY

Zone	Lumens
0-10	313.69
10-20	894.11
20-30	1348.74
30-40	1608.22
40-50	1656.02
50-60	1484.92
60-70	1127.19
70-80	680.20
80-90	294.39
90-100	16.86
100-110	2.52
110-120	2.32
120-130	2.85
130-140	2.86
140-150	2.56
150-160	2.08
160-170	1.37
170-180	0.56

[LUMINAIRE] SQ-LED80-B-4K-DIM-BRZ
[LUMCAT] SQ-LED80-B-4K-DIM-BRZ
[OTHER]

[OTHER] Gamma(deg)	Fz(m)	Ft(lm)	%Lum	%Lamp
[OTHER] 0-10	313.69	313.69	3.32	3.32
[OTHER] 10-20	894.11	1207.80	12.79	12.79
[OTHER] 20-30	1348.74	2556.53	27.08	27.08
[OTHER] 30-40	1608.22	4164.75	44.11	44.11
[OTHER] 40-50	1656.02	5820.77	61.65	61.65
[OTHER] 50-60	1484.92	7305.69	77.38	77.38
[OTHER] 60-70	1127.19	8432.88	89.32	89.32
[OTHER] 70-80	680.21	9113.09	96.52	96.52
[OTHER] 80-90	294.39	9407.46	99.64	99.64
[OTHER] 90-100	16.86	9424.33	99.82	99.82
[OTHER] 100-110	2.52	9426.86	99.85	99.85
[OTHER] 110-120	2.32	9429.18	99.87	99.87
[OTHER] 120-130	2.85	9432.03	99.90	99.90
[OTHER] 130-140	2.86	9434.90	99.93	99.93
[OTHER] 140-150	2.56	9437.45	99.96	99.96
[OTHER] 150-160	2.08	9438.53	99.98	99.98
[OTHER] 160-170	1.37	9440.90	99.99	99.99
[OTHER] 170-180	0.56	9441.46	100.00	100.00
[OTHER]				

MOUNTING OPTIONS



Pendant Mount
Optional

INSTALLATION



Easy Hanging Hinge
Allows for one man installation.

ORDERING GUIDE

SQ						
WATTS	VOLTAGE	COLOUR TEMP.	FINISH	DRIVER	OPTIONS	
LED80	B - 120 - 277V* C - 347V	4K - 4000K*	BRZ - BRONZE*	DIM - DIM-0-10V DIMMING*	DHFS- DIMMING HIGH FREQUENCY SENSOR	PMxx - PENDANT MOUNT
						(xx = Specify Pendant Pipe Length)

*Standard Configuration.