



FL3-LED51

LED Flood Light



Yoke Mount

SPECIFICATIONS*

Watts	49.79
Lumens	6642
Efficacy	133.4
Replaces Up To	1000 W Quartz
Colour Temp**	4000K*, 5000K*
Certification	cULus, IP65, DLC
Operating Temp	-40°C to +40°C
Voltage	120-277*
LED Life	100,000 hours
Housing Material	Die Cast Aluminum
Lens Material	Polycarbonate
Lens Type	clear
Total Harmonic Distortion	19.42
Power Factor	0.916

*Standard



DESCRIPTION

The FL3-LED51 is an energy efficient LED flood that replaces a 1000W Quartz fixture.

APPLICATIONS



Building
Facades

Patios & Yards

Landscape
Lighting

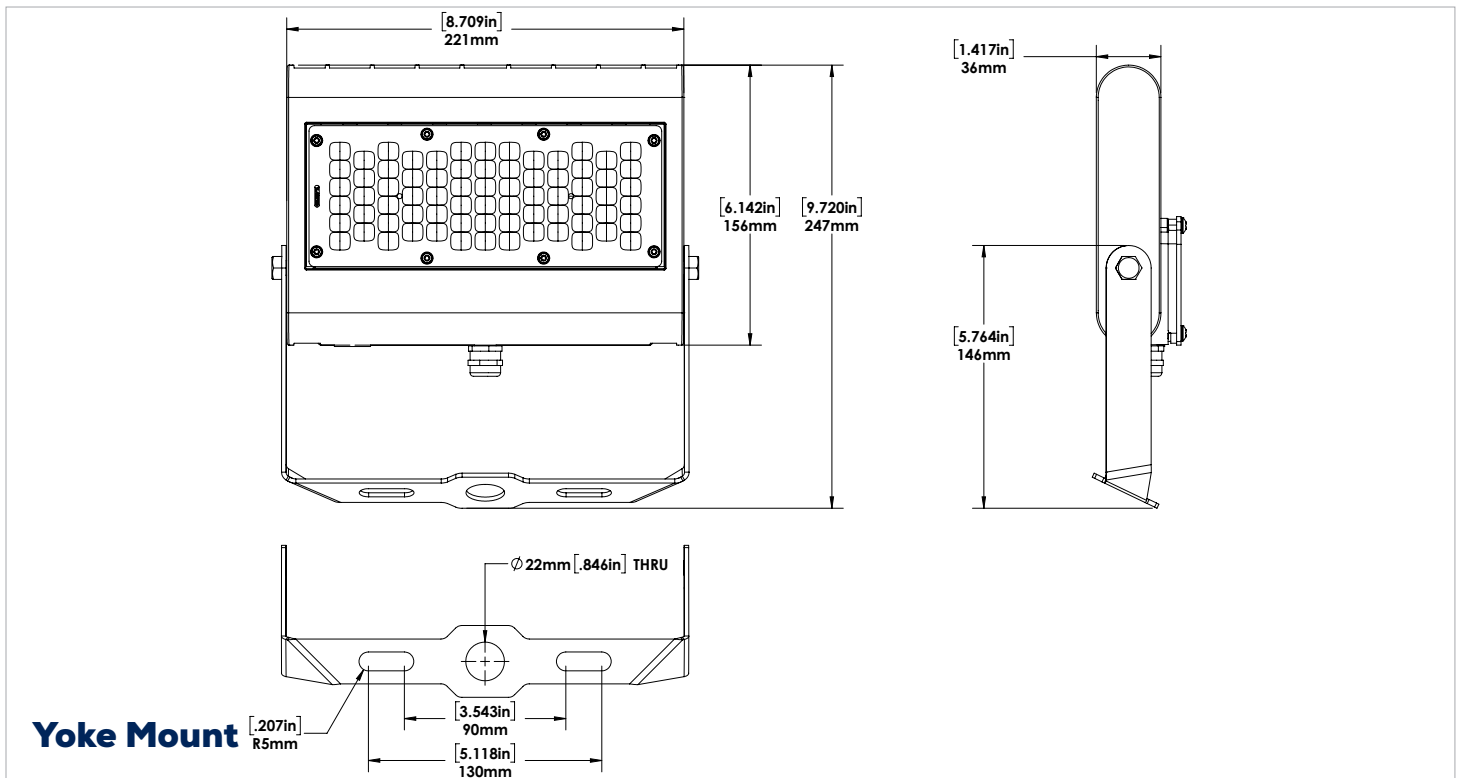
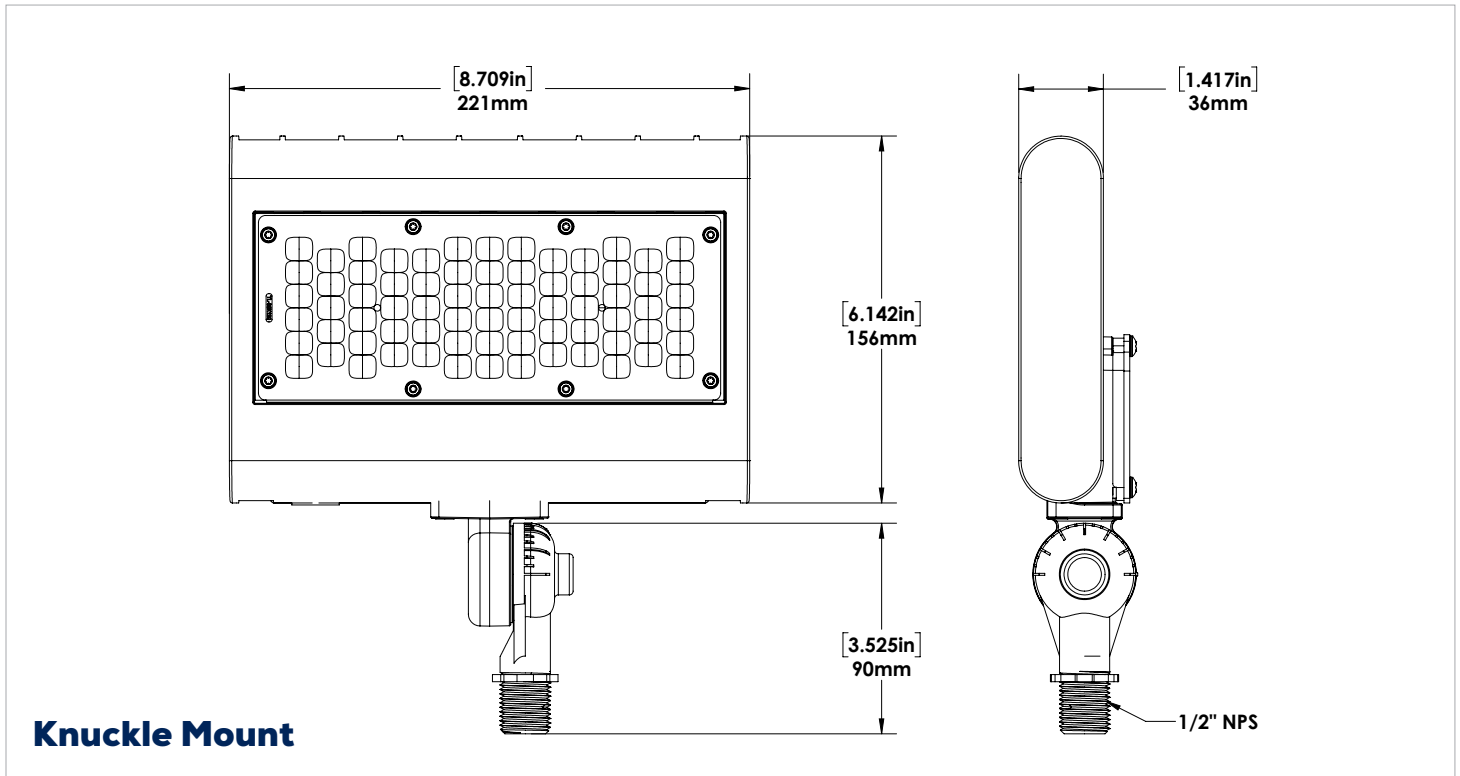
Sign Lighting

FEATURES

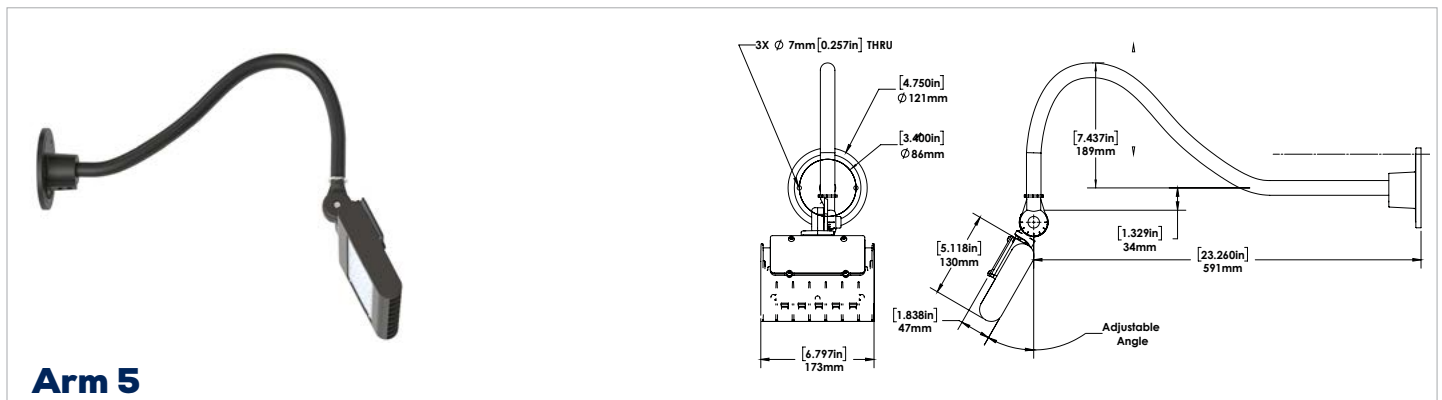
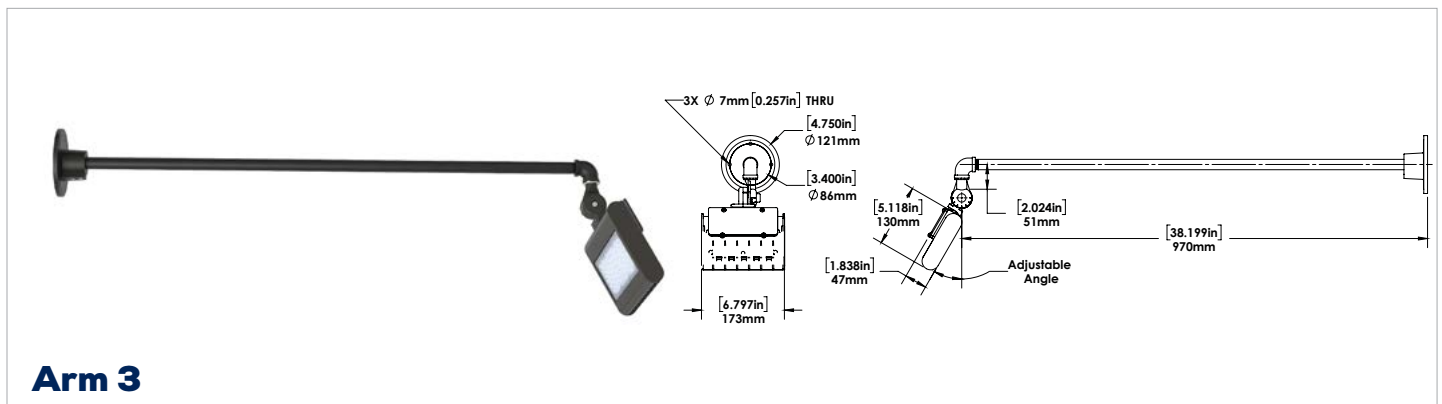
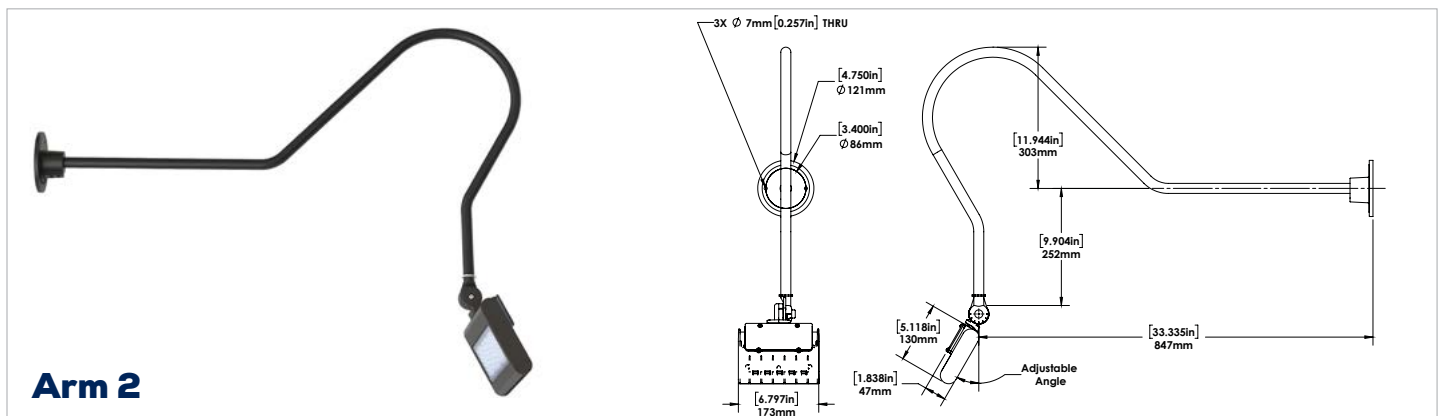
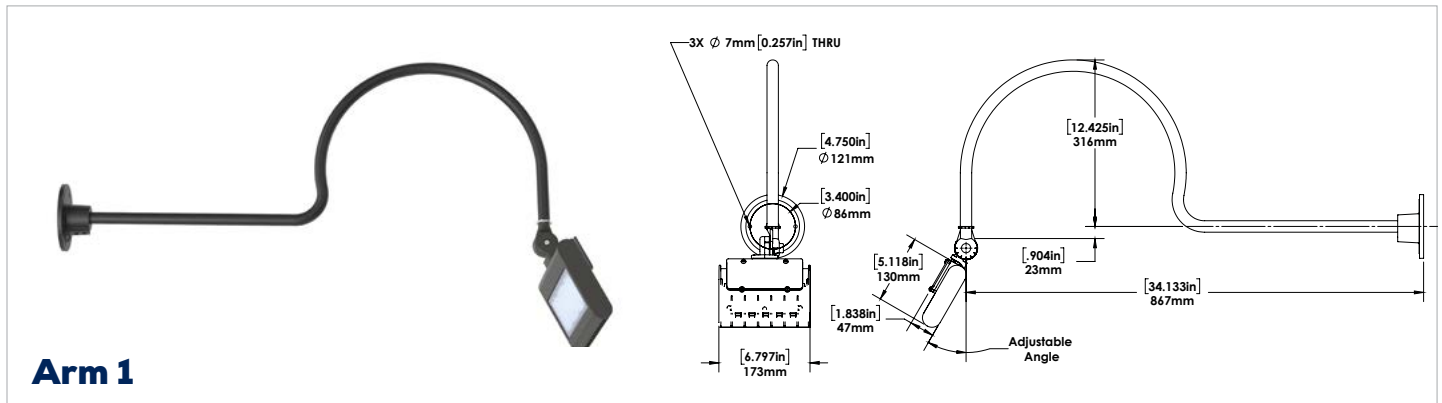
- Die cast aluminum housing with polycarbonate lens.
- Wide 7H X 7V beam is standard.
- Available as a knuckle or yoke mount. Also used as a sign light when combined with various arms.
- Available in 4K or 5K colour temperature.
- Ideal replacement for 1000W Quartz floods.

*The above specs apply to the standard product configuration. For spec information on other product configurations please see page 2.

DIMENSIONS



SIGN LIGHT DIMENSIONS



OTHER MODEL SPECIFICATIONS

DESCRIPTION	VOLTAGE (V)	INPUT POWER (W)	LIGHT OUTPUT	EFFICACY (Lm/W)	THD	PF	CCT	CRI
FL3-LED51-B-4K-XXX-XX	120-277V	49.79	6642	133.4	19.42	0.916	4000	71.9
FL3-LED51-B-5K-XXX-XX	120-277V	49.79	6652	133.6	19.42	0.916	5000	71.9

LEGEND

B - 120V-277V
 4K - 4000K, 5K - 5000K
 XXX - FINISH
 XX - MOUNTING

ORDERING GUIDE

1. FLOOD LIGHT

FL3	LED51				
WATTS	VOLTAGE	COLOUR TEMP.	FINISH	MOUNTING	
	B - 120 - 277V*	4K - 4000K* 5K - 5000K*	BRZ - BRONZE*	KN - KNUCKLE MOUNT* YK - YOKE MOUNT*	

2. SIGN LIGHT

FL3	LED51					
WATTS	VOLTAGE	COLOUR TEMP.	FINISH	MOUNTING	ARM	
	B - 120 - 277V*	4K - 4000K* 5K - 5000K*	BRZ - BRONZE* CC - CUSTOM COLOUR	KN - KNUCKLE MOUNT*	ARM1 ARM2 ARM3 ARM5	