

L1RSH-L

ROUND ECONOMIC AND HIGH PERFORMING LUMINAIRE

ORDERING INFORMATION

Order code: 68102
Model number: L1RSH-LS3-W/40K
UPC: 69549014299
Case quantity: 1

PHYSICAL DATA

Dimensions: 10.7 in x 8.5 in (272 mm x 216 mm)
Lens Type: PC clear
Frame Material: Black Aluminum
Mounting: Hook + 10' cord

PERFORMANCE DATA

Watts (W): 204
Volts (VAC): 120-277
Colour temperature (K)¹: 4 000
Lumen output (lm)²: 32 772
Lumen per Watts (lm/W): 161
CRI: 80+
Life L70 (h)³: 151 000
Life L90 (h)³: 46 000
Beam angle (°): 110
THD (%): 9.38
Power factor: 0.9442
Dim Down Percentage (%): 10
Frequency (Hz): 50/60
Operating temp. range: -40°C to 45°C (-40°F to 113°F)

¹ Typical colour temperature range: +/- 5 %

² Lumen values are derived from photometric testing. Initial lumens range: +/- 10 %

³ Life hours are derived from IESNA LM80-08 testing report and projected per IESNA TM-21-11 extrapolations



COMPATIBLE DIMMERS

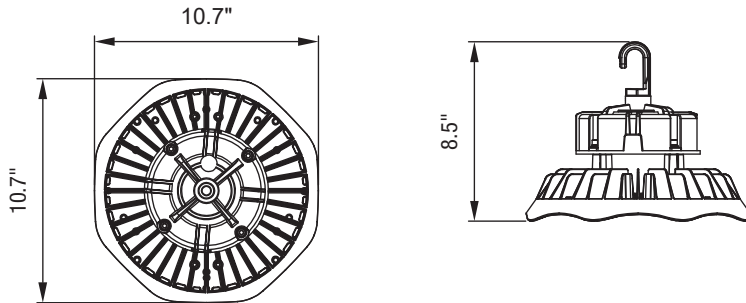
| Brand | Model |
|---------|---------------|
| LUTRON | DVSTV, DVTV |
| LEVITON | DS710 |
| COOPER | SF10P |
| HUBBELL | LHD-IR33-N-WH |

NOTE: The above table shows dimmers that have been tested and have demonstrated proper operation under normal conditions. Each installation being unique, various factors such as load, common neutrals or other electrical products on the circuit can, in certain instances, cause variance in system performance. Read and comply to the dimmer installation instructions. Consult dimming system manufacturer for additional support in operation. Standard recommends to use dimmers designed to work with LED products. Older dimmers designed for incandescent products may cause erratic operation. Some dimmers may require more than one product for stable operation. The maximum number of products is determined by the dimmer wattage rating with LEDs. Be careful, these dimmers have different ratings depending on the product type. Again, refer to the dimmer installation instructions.



Not all products are qualified on the DLC QPL. To view our DLC qualified products, please consult the DLC Qualified Products List at www.designlights.org/search.

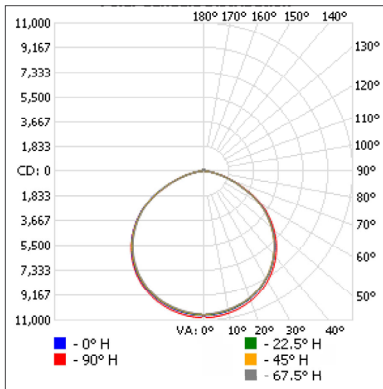
DIMENSIONS



PHOTOMETRIC DATA¹

68102 • L1RSH-LS3-W/40K • 30 614.9 lm

Polar candela distribution



Zonal lumen summary

| Zone | Lumens | % Fixture |
|--------|----------|-----------|
| 0-30 | 8 396.5 | 27.4% |
| 0-40 | 13 876.0 | 45.3% |
| 0-60 | 24 783.6 | 81% |
| 60-90 | 5 432.0 | 17.7% |
| 70-100 | 1 869.8 | 6.1% |
| 90-120 | 174.2 | 0.6% |
| 0-90 | 30 215.6 | 98.7% |
| 90-180 | 399.3 | 1.3% |
| 0-180 | 30 614.9 | 100% |

Illuminance at a distance

| Center beam fc | | Beam width | |
|----------------|---------|------------|-------|
| 4.3' | 575 fc | 13.2' | 13.4' |
| 8.7' | 140 fc | 26.8' | 27.2' |
| 13.0' | 62.9 fc | 40.0' | 40.6' |
| 17.3' | 35.5 fc | 53.2' | 54.1' |
| 21.7' | 22.6 fc | 66.8' | 67.8' |
| 26.0' | 15.7 fc | 80.0' | 81.3' |

■ Vert. spread: 113.9°
■ Horiz. spread: 114.8°

¹ Complete IES files available on our website.

| Qty | Description | Price |
|-----|-------------|-------|
| | | |

I accept the specifications of the luminaire configuration mentioned above.

Name: _____
 Company: _____
 Signature: _____

Date: _____

Data is based upon tests performed in a controlled environment. Actual performance can vary depending on operating conditions. All products are subject to change or may be discontinued any time without notice.