



SL2-LED20

LED Strip Light



SPECIFICATIONS

Watts	20
Lumens	2472
Efficacy	122.7 Lm/W
Replaces Up To	2 Lamp T8 17W
Colour Temp**	Selectable - 3K, 4K, 5K
Certification	cULus, IP20
Operating Temp	-30°C to +40°C
Voltage	120-347V
LED Life (L70)	>100,000 hours
Housing Material	Steel
Lens Material	Polycarbonate
Lens Type	Frosted
Mounting	Surface mount, suspended mount using linear ceiling pendant mount kit.
Total Harmonic Distortion	4.3%
Power Factor	0.99
CRI	80
Internal Surge Protection	2KV
Weight	2.8 lbs

**Colour temperature is selectable and can be adjusted on the fixture through a switch. The default switch setting is set to 4K on the fixture.



DESCRIPTION

The SL2-LED20 strip light provides a highly efficient lumen output of approx. 2400 lumens ideal for replacing 2 Lamp T8 17W fixtures. The frosted linear lens provides uniform light distribution ideal for use in shops, coves and general area lighting.

APPLICATIONS



Shops



Cove Lighting



General Area
Lighting

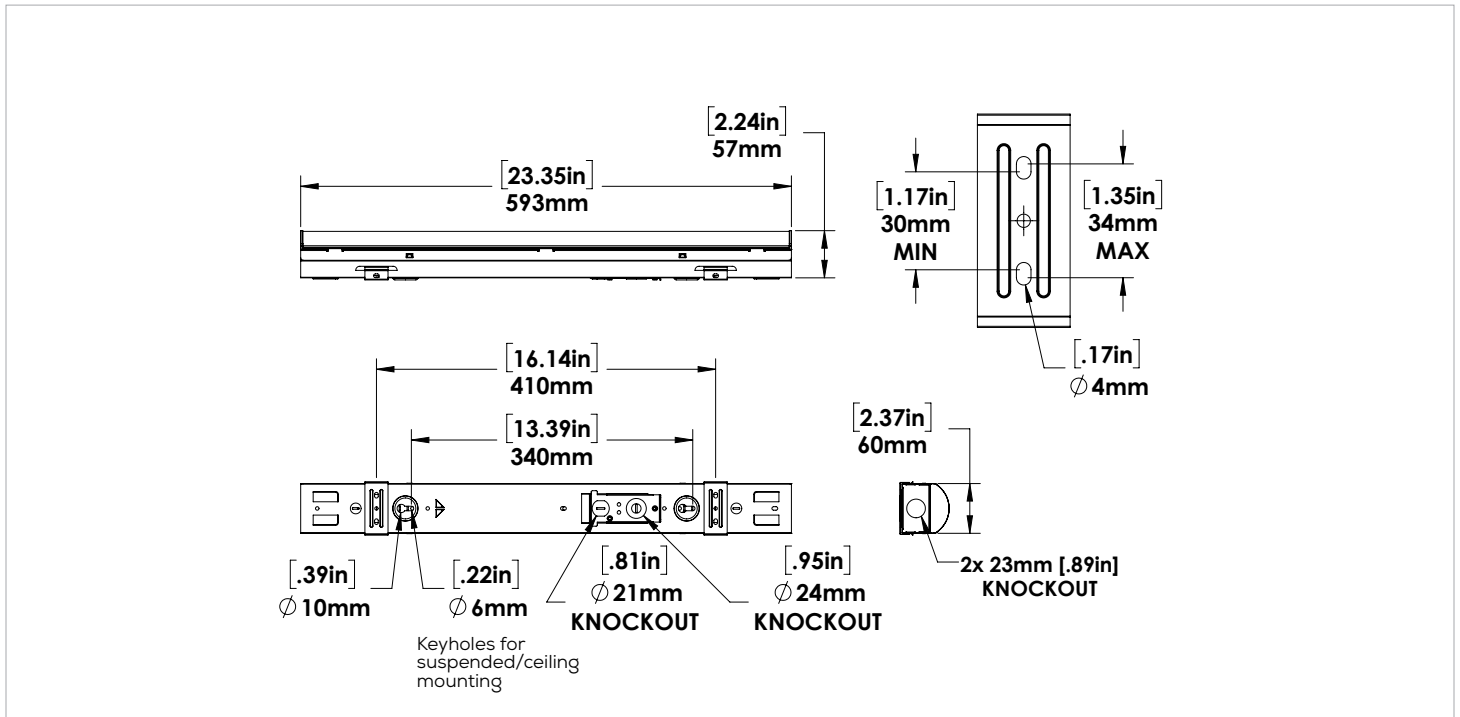
FEATURES

- Fixture can be set at a colour temperature of 3000K, 4000K or 5000K while installing through a switch inside the housing
- Narrow, linear design with frosted lens for uniform light distribution
- Join up to 35 fixtures on a single circuit using easy connector steel plates. NOTE: Fixtures are daisy chained with line wires fished through the housing continuous row.
- Options: dimming high frequency sensor (inside housing), wire cage, reflector wings, linear ceiling pendant mount kit

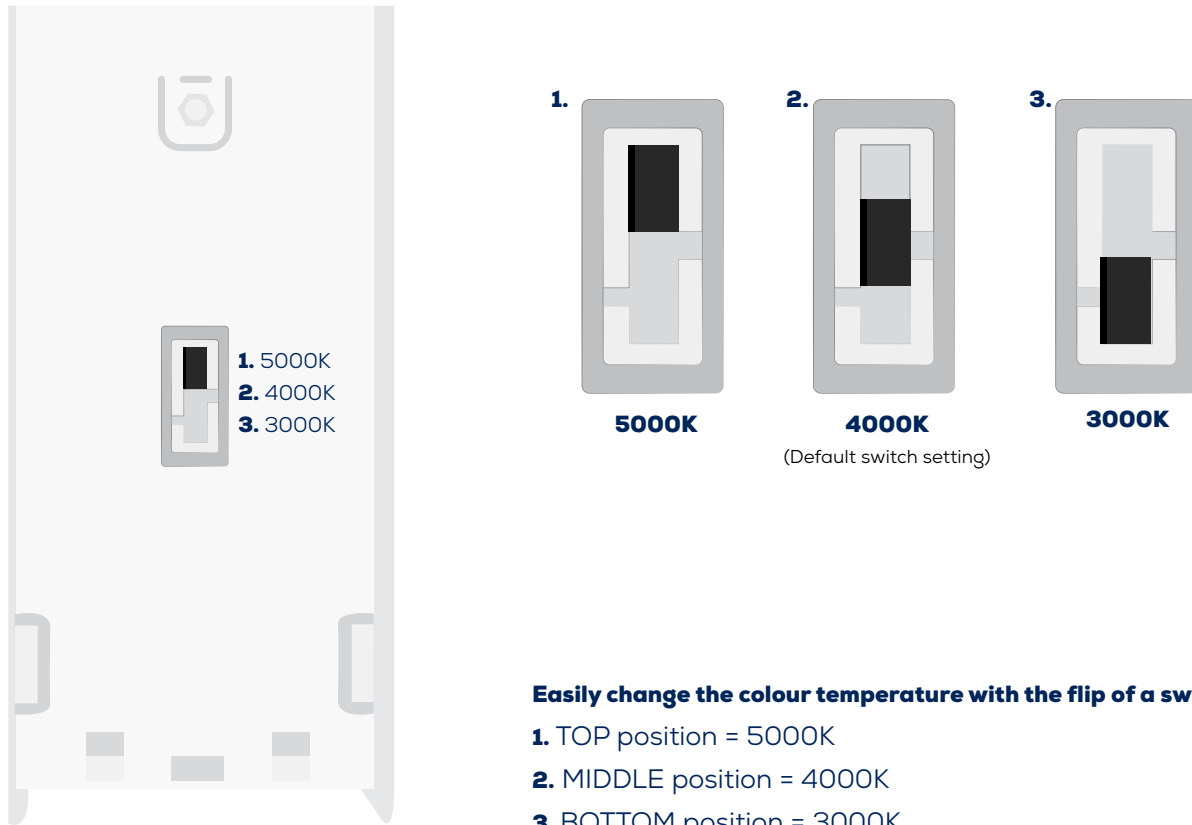
FULL SPECIFICATIONS

DESCRIPTION	VOLTAGE (V)	INPUT POWER (W)	LIGHT OUTPUT	EFFICACY (Lm/W)	THD	PF	CRI
SL2-LED20-H-VK-DIM	120-347	20	2472	122.7	4.3%	0.995	80.0

DIMENSIONS



COLOUR SELECTABLE SWITCH



The switch is located inside of the fixture.

1. 5000K
2. 4000K
3. 3000K

1. 5000K
2. 4000K
3. 3000K

(Default switch setting)

Easily change the colour temperature with the flip of a switch.

1. TOP position = 5000K
2. MIDDLE position = 4000K
3. BOTTOM position = 3000K

LINEAR CEILING PENDANT MOUNT KIT


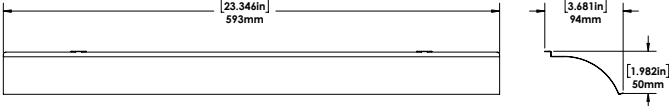
Linear Ceiling Pendant Mount Kit

Contains 2 x 5 foot aircraft cables with ceiling mounting plates, fixture mounting rod and nut, 6 drywall anchors, and 6 screws.

SKU 089814


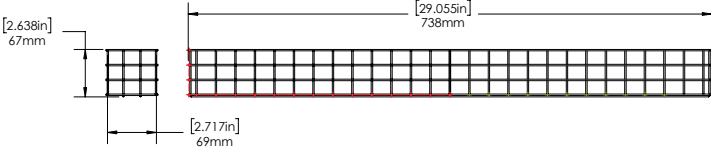


REFLECTOR WINGS

Reflector Wings Kit - Wings attach by inserting tabs into the cutouts on the fixture
SKU 099560

WIRE CAGE

Fixture shown with wire cage

Wire Cage - To install, place wire cage over the fixture and screw the clips on to the mounting surface.
SKU 002270

ORDERING GUIDE

SL2	LED20	H	VK	DIM	
WATTS	VOLTAGE	COLOUR TEMP.	DRIVER	OPTIONS	
	H - 120-347V*	VK - COLOUR SELECTABLE* (can be adjusted to 3K, 4K, or 5K)	DIM - 0-10V Dimming*	DHFS - Dimming High Frequency Sensor (factory installed inside the housing)	

*Standard Configuration.

FIELD INSTALLED ACCESSORIES

CHECK THE ACCESSORIES YOU WISH TO ORDER:

089814 LINEAR CEILING PENDANT MOUNT KIT

002270 SL2-LED WIRE CAGE

099560 SL2-LED REFLECTOR WINGS KIT - WHT