



WP-LED80

LED Wall Light



SPECIFICATIONS*

Watts	81.08
Lumens	9932.36
Efficacy	122.5
Replaces Up To	250W MH
Colour Temp	3,000K, 4,000K, 5,000K*
Operating Temp	-40°C to +40°C
Voltage	120-277*, 347
LED Life	100,000 hours
Lens Material	Clear Stippled Tempered Glass
Power Factor	0.994
Total Harmonic Distortion	15.8%
CRI	>71.7

*Standard



DESCRIPTION

The WP-LED fixtures are energy efficient wall lights with a traditional look. Available in 3 wattages (42W, 80W, 120W), they serve as ideal replacements for 150W, 250W or 400W HID fixtures.

APPLICATIONS



Entrances



Back Doors



Loading Docks



Perimeter Lighting

FEATURES

- Side hinged die cast aluminum body.
- Replaces 400W MH wall packs.
- Clear stippled tempered glass lens.
- Durable powder coat paint finish.
- Photocell optional.

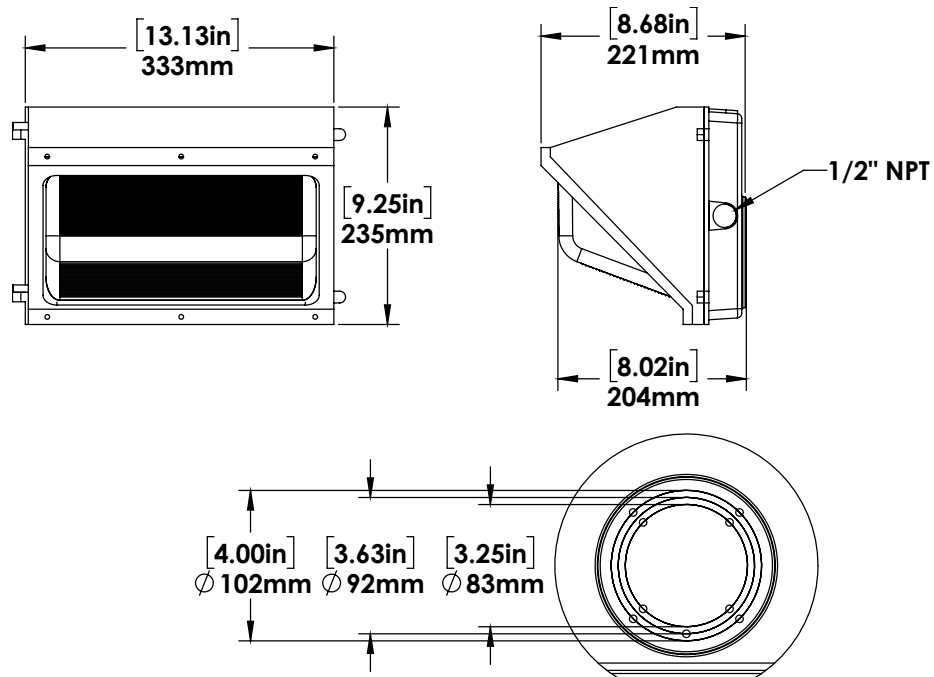
OTHER MODEL SPECIFICATIONS

MODEL DESCRIPTION	VOLTAGE (V)	INPUT POWER (W)	LIGHT OUTPUT	EFFICACY (Lm/W)	THD	PF	CCT	CRI
WP-LED80-B-3K-XXX-XX-CL	120-277	80.76	8945.16	110.7	15.8	0.992	3000	72.8
WP-LED80-B-4K-XXX-XX-CL	120-277	80.8	9574.81	118.5	15.8	0.994	4000	74.0
WP-LED80-B-5K-XXX-XX-CL	120-277	81.08	9932.36	122.5	15.8	0.994	5000	71.7
WP-LED80-C-3K-XXX-XX-CL	347	78.28	9112.68	116.4	13.4	0.970	3000	73.6
WP-LED80-C-4K-XXX-XX-CL	347	78.45	9431.12	120.2	13.4	0.970	4000	73.0
WP-LED80-C-5K-XXX-XX-CL	347	78.45	9749.57	124.3	13.4	0.970	5000	73.0

LEGEND

B - 120V-277V, C - 347V
 3K - 3000K, 4K - 4000K, 5K - 5000K
 XXX - Housing Finish
 XX- PC Option
 CL -Clear Lens

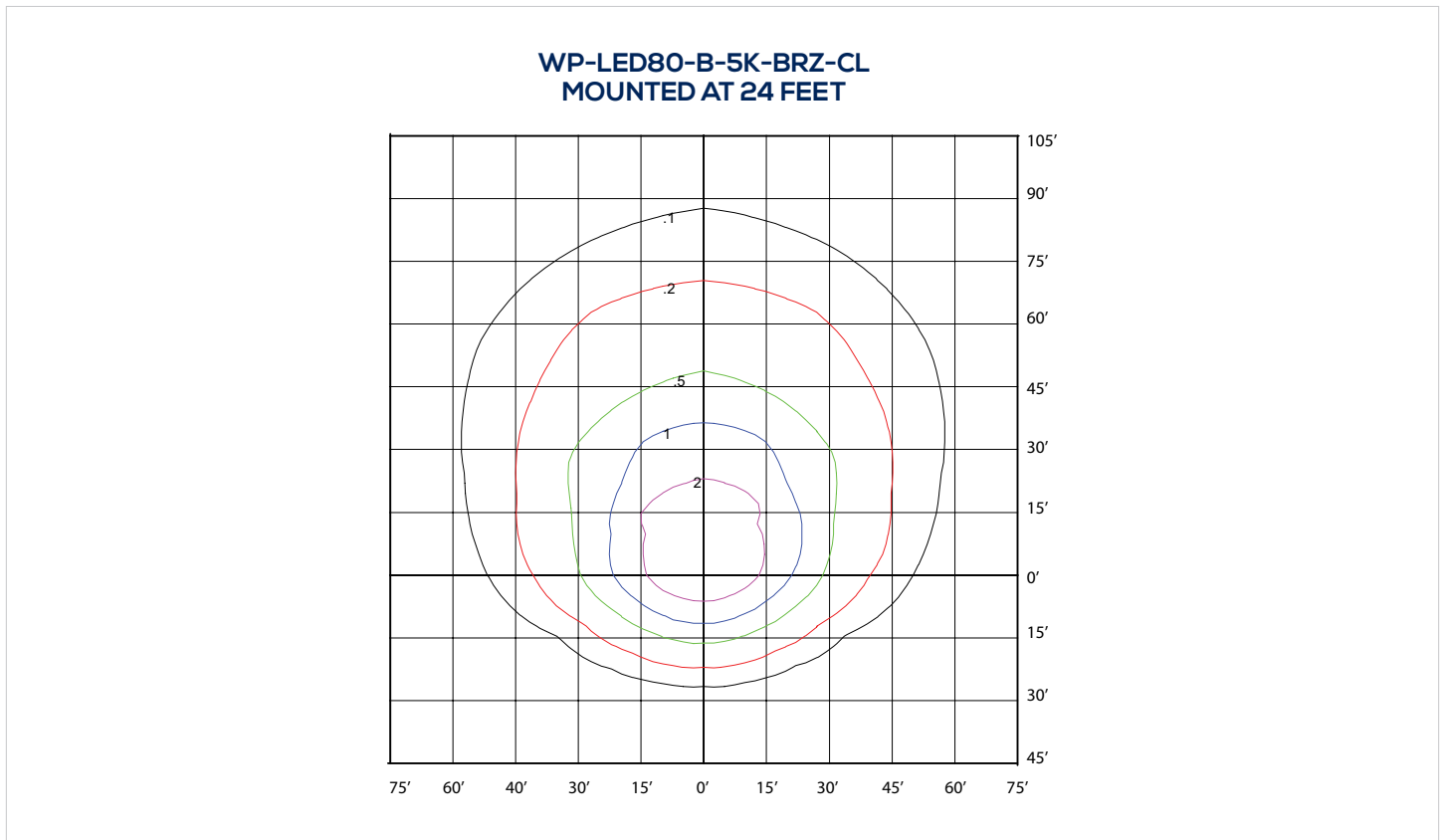
DIMENSIONS



JUNCTION BOX MOUNTING HOLE PATTERN

Weight = 7lbs

PHOTOMETRICS



ORDERING GUIDE

WP					
WATTS	VOLTAGE	COLOUR TEMP.	FINISH	OPTIONS	LENS
LED80	B - 120 - 277V*	3K - 3000K	BRZ - BRONZE*	PC - PHOTOCCELL	CL - CLEAR LENS
	C - 347V	4K - 4000K	CC - CUSTOM COLOUR	BLANK - NO PHOTOCCELL	
		5K - 5000K*			

*Standard Configuration.