



VEK2X-LED60

LED Wall Light



SPECIFICATIONS*

Watts	61
Lumens	9175
Efficacy	151
Replaces Up To	250W MH
Colour Temp	3K, 4K*, 5K
Operating Temp	-40°C to +40°C
Voltage	120-277*, 347
LED Life	100,000 hours
Housing Material	Die Cast Aluminum
Lens Material	Polycarbonate
Power Factor	0.9041
Total Harmonic Distortion	18.23%



DESCRIPTION

The VEKX is an LED wall light designed for superior performance, easy one-man installation and has many options for lighting controls, surge protection, paint finish, voltage and colour temperature.

APPLICATIONS



Perimeter
Lighting



Landscape
Lighting



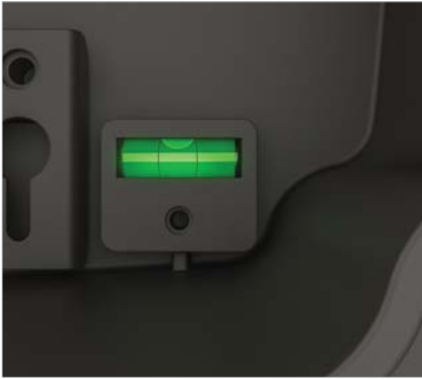
Architectural
Applications

FEATURES

- Adjustable head to direct light where needed
- High performance wall light with efficacy of 151 lumens/watt
- Type3 optics for wide beam is standard. Type 4 optics for forward throw is an option.
- Fixture has been designed with easy mounting features for one man installation.
- Large back box allows for optional dimming motion sensor, on/off sensor, and 10kV surge protection.
- Electronic photocell is standard. It works for all voltages in the 120 – 277V range.

*The above specs apply to the standard product configuration - VEK2X-LED60, 120-277V, 4K, T3. For spec information on other product configurations please see page 4. **NOTE:** Not all of our product configurations are qualified on the DLC QPL. To view all of our DLC qualified products please visit the DLC qualified products list at www.designlights.org/qpl.

EASY ONE MAN INSTALLATION



Level bubble for easy alignment

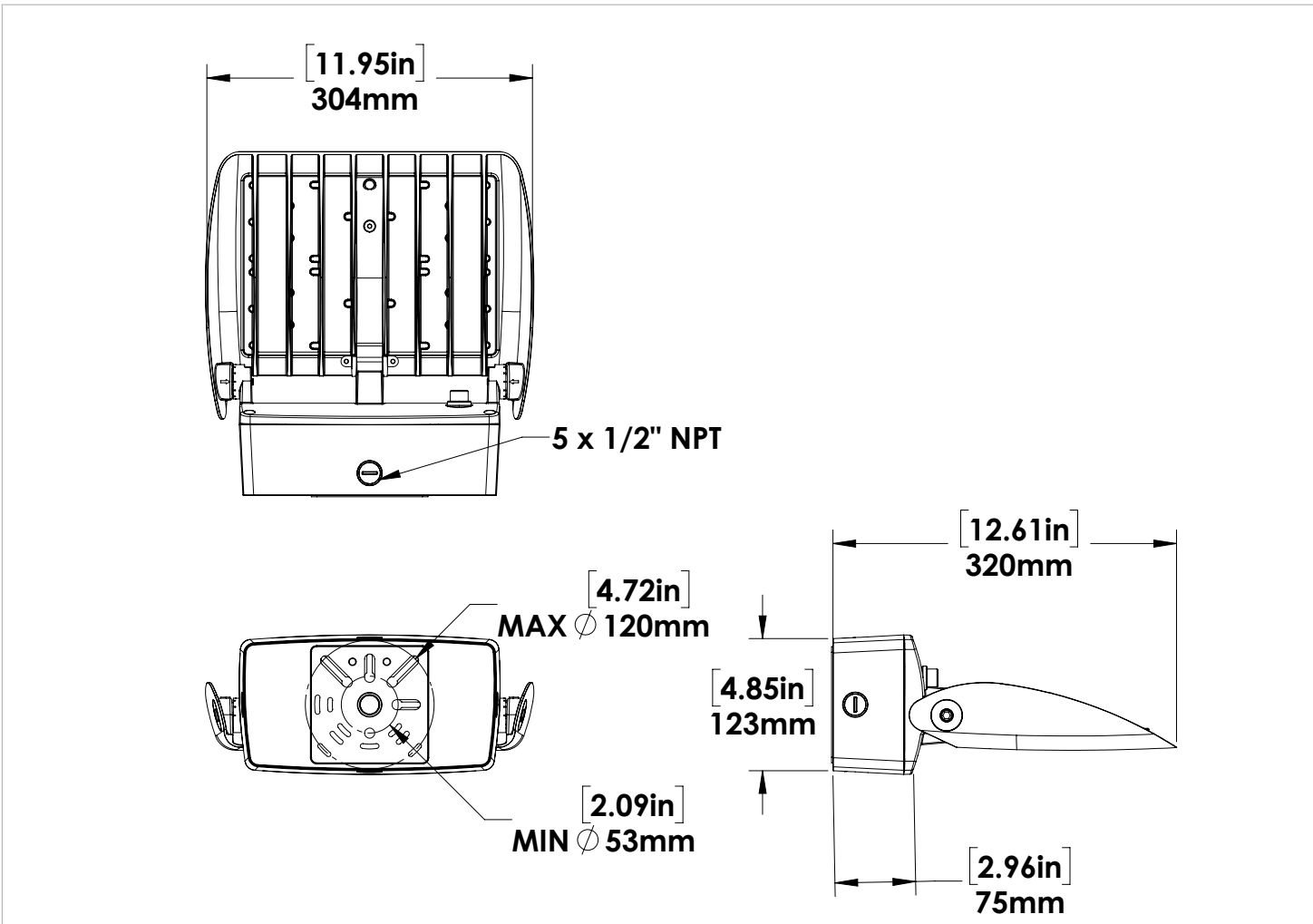


Aircraft cable goes into keyholes allowing installer to use both hands for wiring.



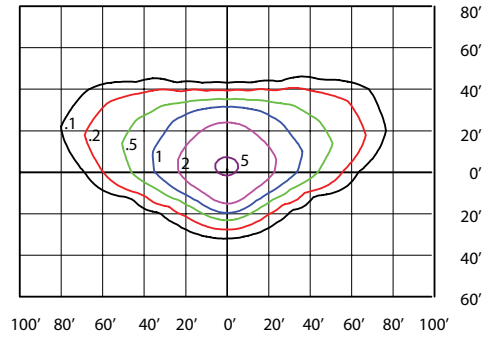
Fixture head has guide tabs that slide into the channel and lock it in place. goes into keyholes allowing installer to use both hands for wiring.

DIMENSIONS

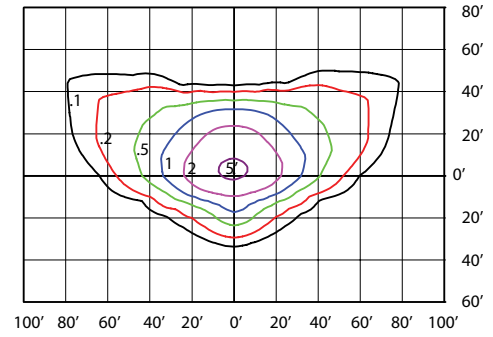


PHOTOMETRICS

**VEK2X-LED60 4K TYPE III
20 FOOT MOUNTING**



**VEK2X-LED60 4K TYPE IV
20 FOOT MOUNTING**



BUILT IN SURGE PROTECTION

FIXTURE	VOLTAGE	DRIVE SURGE PROTECTION
VEK2X-LED60-B	120-277V	6KV
VEK2X-LED60-C	347V	2.5KV

OTHER MODEL SPECIFICATIONS

MODEL DESCRIPTION	VOLTAGE (V)	INPUT POWER (W)	LIGHT OUTPUT	EFFICACY (Lm/W)	PF	THD	CCT (K)	CRI
VEK2X-LED60-C-3K-T3-XXX-DIM-XX	347V	63.83	9176.8	143.77	15.72	0.9359	3000	72.5
VEK2X-LED60-B-3K-T3-XXX-DIM-XX	120-277V	60.37	9034.9	149.66	18.12	0.9029	3000	72.6
VEK2X-LED60-C-3K-T4-XXX-DIM-XX	347V	63.93	8949.9	140	15.55	0.9364	3000	72.9
VEK2X-LED60-B-3K-T4-XXX-DIM-XX	120-277V	60.15	8729.3	145.13	18.11	0.9027	3000	72.9
VEK2X-LED60-C-4K-T3-XXX-DIM-XX	347V	64.23	9281	144.5	15.81	0.9368	4000	72.9
VEK2X-LED60-B-4K-T3-XXX-DIM-XX	120-277V	60.95	9175	150.53	18.23	0.9041	4000	72.9
VEK2X-LED60-C-4K-T4-XXX-DIM-XX	347V	64.44	9125	141.6	15.75	0.938	4000	73.1
VEK2X-LED60-B-4K-T4-XXX-DIM-XX	120-277V	60.99	8912	146.12	18.29	0.9045	4000	73.1
VEK2X-LED60-C-5K-T3-XXX-DIM-XX	347V	64.24	9354	145.61	15.89	0.937	5000	72.7
VEK2X-LED60-B-5K-T3-XXX-DIM-XX	120-277V	60.43	9186	152.01	18.31	0.9035	5000	72.7
VEK2X-LED60-C-5K-T4-XXX-DIM-XX	347V	64.3	9193	142.97	16.67	0.9378	5000	72.4
VEK2X-LED60-B-5K-T4-XXX-DIM-XX	120-277V	60.26	8941	148.37	18.01	0.9031	5000	72.4

LEGEND

B - 120V-277V, C - 347V
 3K - 3000K, 4K - 4000K, 5K - 5000K
 T3 - TYPE 3 BEAM, T4 - TYPE 4 BEAM
 XXX - HOUSING FINISH
 DIM - DIMMABLE
 XX - PHOTOCELL

ORDERING GUIDE



WATTS	VOLTAGE	COLOUR TEMP.	BEAM	FINISH	DRIVER	PHOTOCELL	OPTIONS
LED60	B - 120 - 277V*	3K - 3000K	T3 - TYPE 3*	BRZ - BRONZE*	DIM - DIM-0-10V DIMMING*	PC - PHOTOCELL*	DMS - DIMMING MOTION SENSOR**
	C - 347V	4K - 4000K*	T4 - TYPE 4	WHT - WHITE*			SMS - ON/OFF SENSOR**
	5K - 5000K	BLK - BLACK*					
				CC - CUSTOM COLOUR			SP - 10 KV SURGE PROTECTION

*Standard Configuration.

** Photocell is disconnected when used with sensor