



# FL1-LED16

## LED Flood Light



Yoke Mount

### SPECIFICATIONS\*

Watts	14.26
Lumens	1728
Efficacy	121
Replaces Up To	150 W Quartz
Colour Temp**	4000K*, 5000K*
Certification	cULus, IP65, DLC
Operating Temp	-40°C to +40°C
Voltage	120-277*
LED Life	100,000 hours
Housing Material	Die Cast Aluminum
Lens Material	Polycarbonate
Lens Type	Clear
Total Harmonic Distortion	15
Power Factor	0.9

\*Standard



## DESCRIPTION

The FL1-LED16 is an energy efficient LED fixture suitable for floodlighting or sign lighting.

## APPLICATIONS



Building  
Facades

Patios & Yards

Landscape  
Lighting

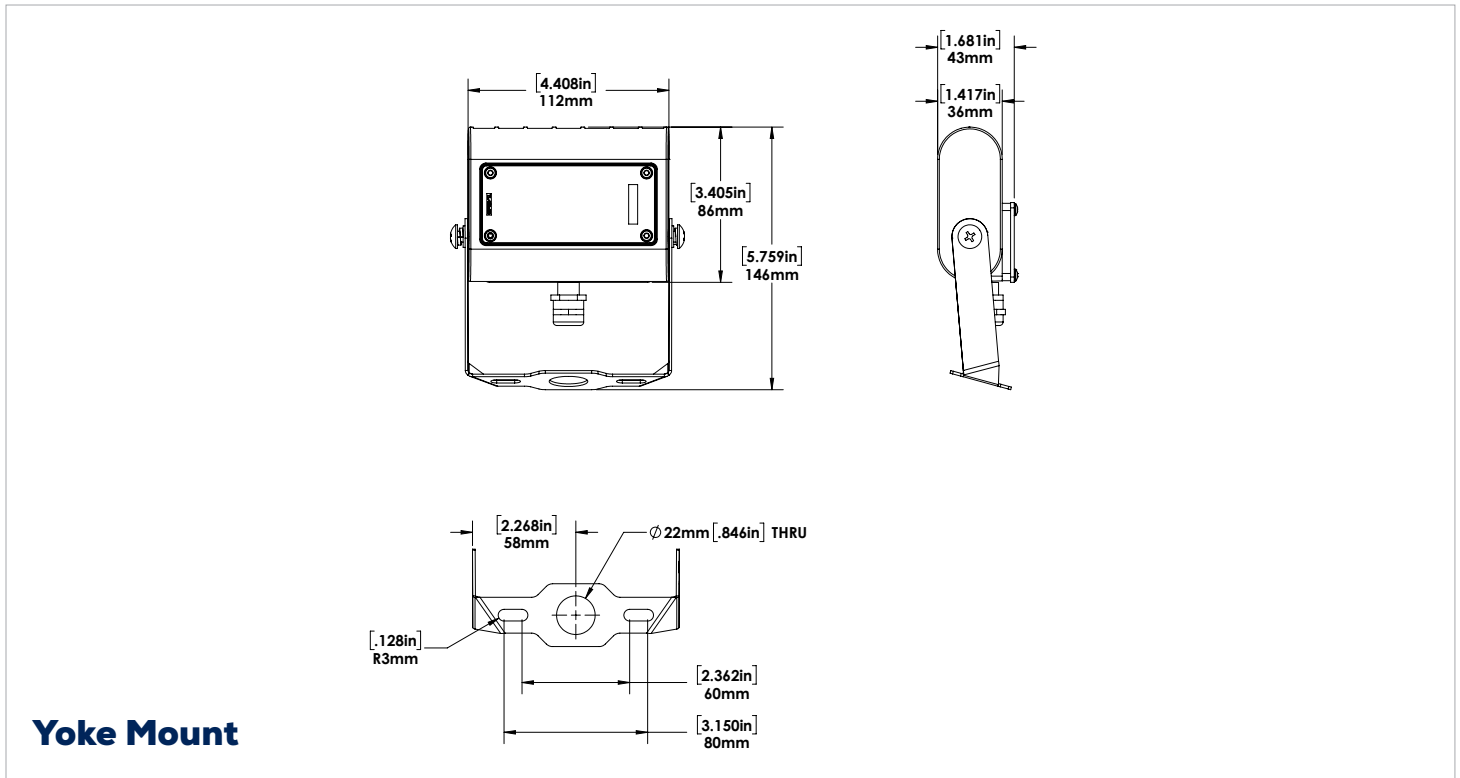
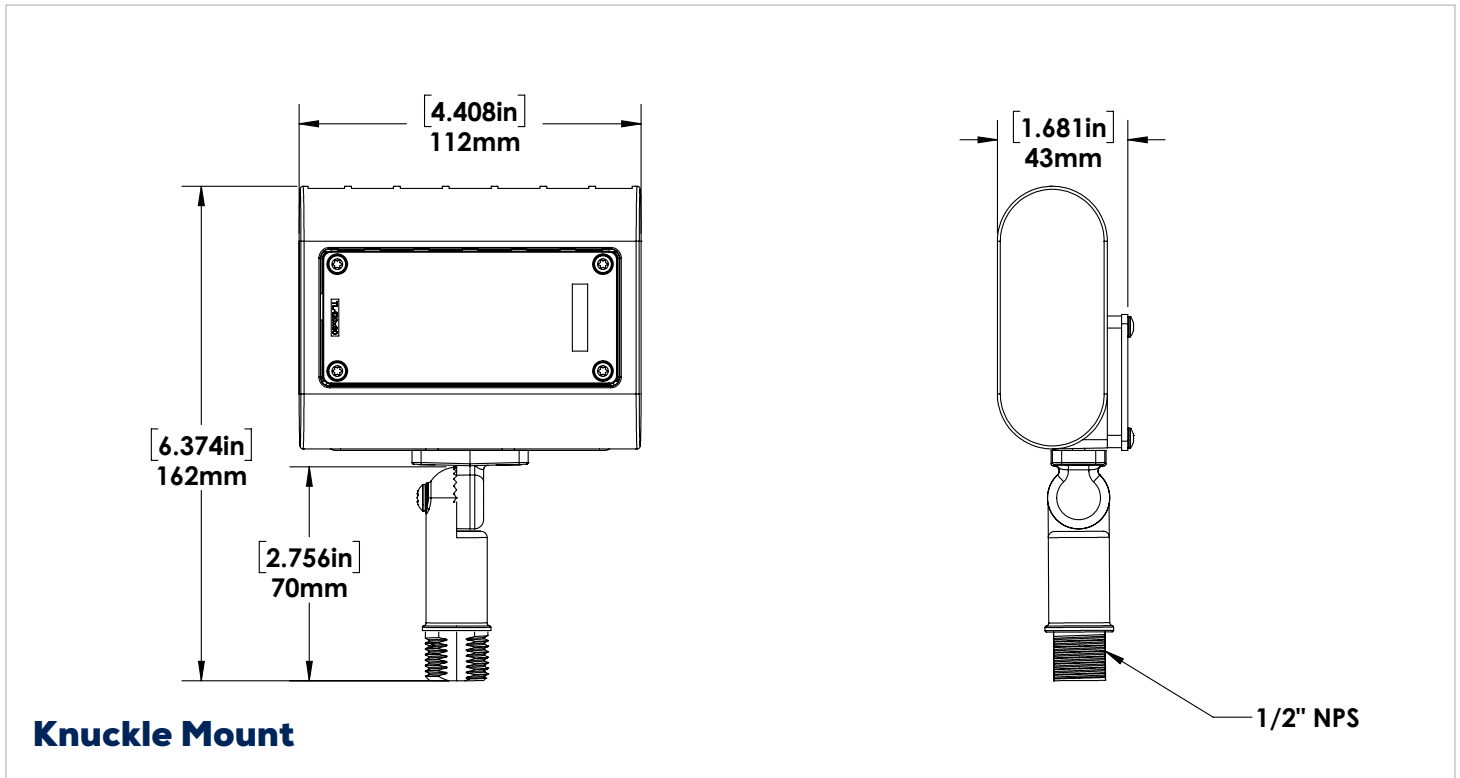
Sign Lighting

## FEATURES

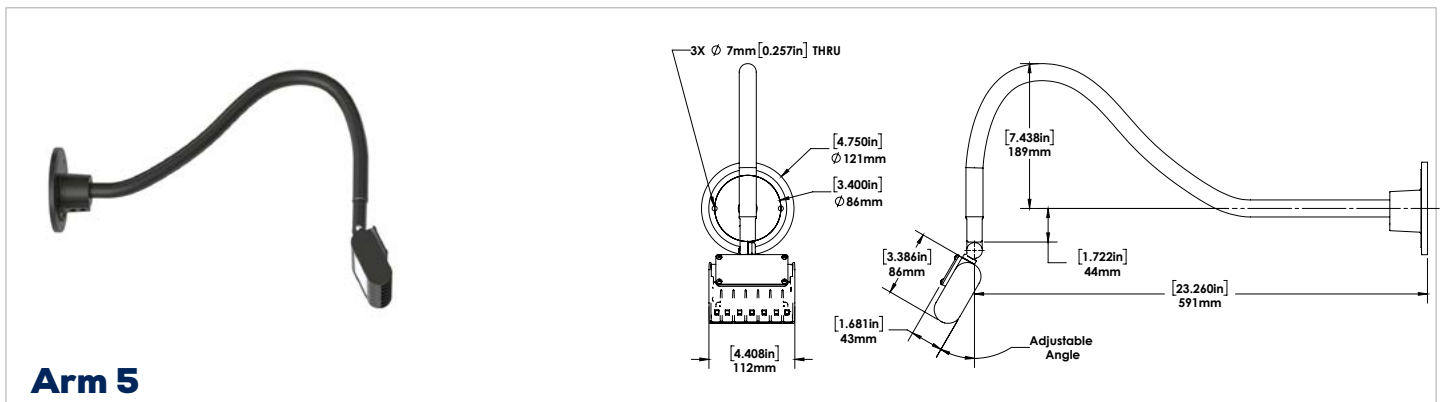
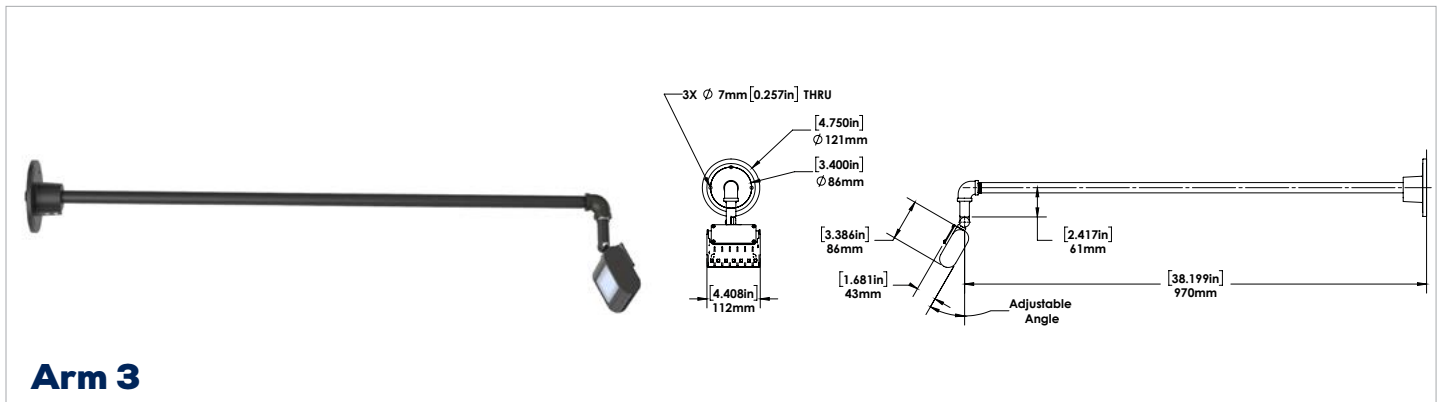
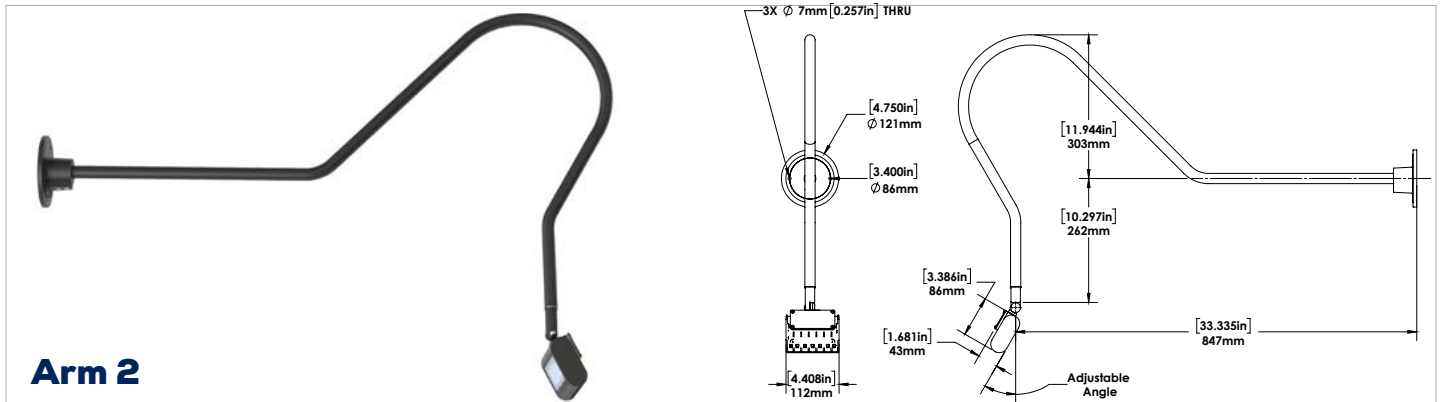
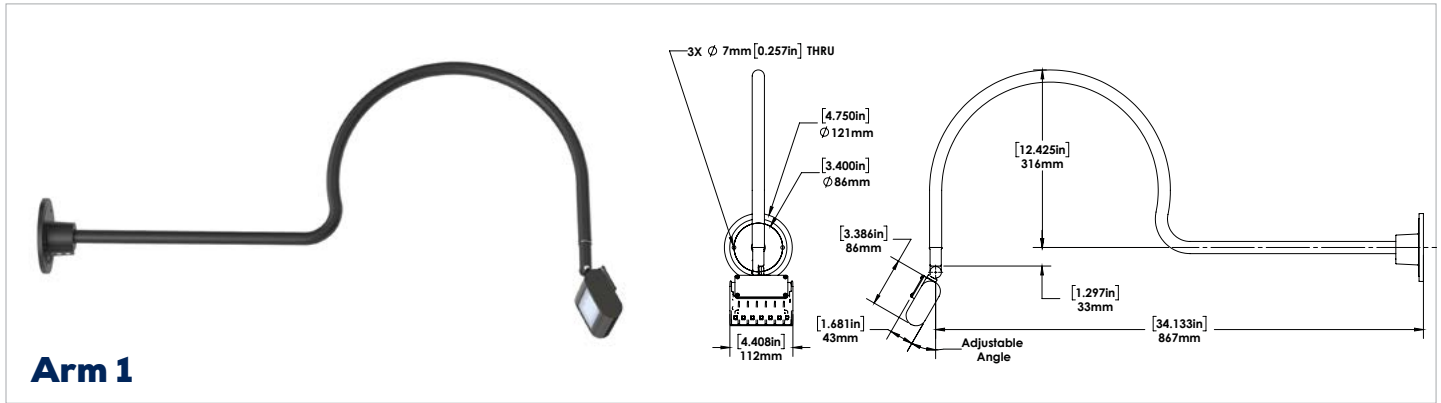
- Die cast aluminum housing with polycarbonate lens.
- Wide 7H X 7V beam is standard.
- Available as a knuckle or yoke mount. Also used as a sign light when combined with various arms.
- Available in 4K or 5K colour temperature.
- Ideal replacement for 150W Quartz floods.

\*The above specs apply to the standard product configuration. For spec information on other product configurations please see page 2.

**DIMENSIONS**



**SIGN LIGHT DIMENSIONS**



## OTHER MODEL SPECIFICATIONS

DESCRIPTION	VOLTAGE (V)	INPUT POWER (W)	LIGHT OUTPUT	EFFICACY (Lm/W)	THD	PF	CCT	CRI
FL1-LED16-B-4K-XXX-XX	120-277V	14.26	1728.2	121.19	15	0.9	4000	70
FL1-LED16-B-5K-XXX-XX	120-277V	14.42	1751.6	121.51	15	0.9	5000	70

### LEGEND

B - 120V-277V  
 4K - 4000K, 5K - 5000K,  
 XXX - FINISH  
 XX - MOUNTING

## ORDERING GUIDE

### 1. FLOOD LIGHT

FL1	LED16				
WATTS	VOLTAGE	COLOUR TEMP.	FINISH	MOUNTING	
	B - 120 - 277V*	4K - 4000K* 5K - 5000K*	BRZ - BRONZE*	KN - KNUCKLE MOUNT* YK - YOKE MOUNT*	

### 2. SIGN LIGHT

FL1	LED16					
WATTS	VOLTAGE	COLOUR TEMP.	FINISH	MOUNTING	ARM	
	B - 120 - 277V*	4K - 4000K* 5K - 5000K*	BRZ - BRONZE* CC - CUSTOM COLOUR	KN - KNUCKLE MOUNT*	ARM1 ARM2 ARM3 ARM5	

\*Standard Configuration.