

# LED Slim Lights

## MODEL SLIM4BP

**ORTECH**

Product Specification Sheet



### HIGHLIGHTS

- 4" Slim LED Downlight in 9W with 4" base only box + potlight
- Multiple installation — Recessed with Can Housing and Surface Mounted with J-Box possible
- Offers perfect LED mounting with uniform light distribution without uneven shadow
- Magnet inside the interchangeable colour ring of your choice (sold separately)
- Depth is 1", and for the best possible Layout Depth Flexibility, it should be installed right under joists
- Easy and fast installation — install directly into ceiling with junction box
- IC rated for direct contact with insulation, recessed housing is not required

### MOUNTING

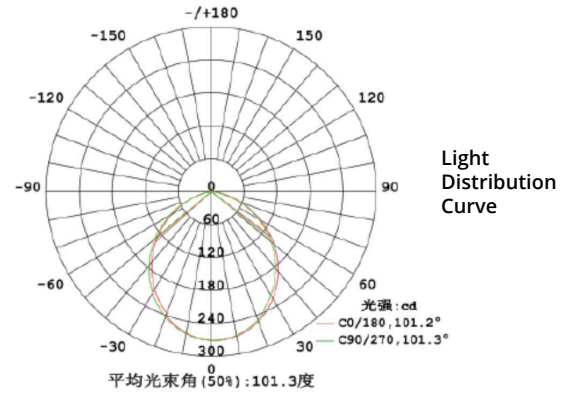
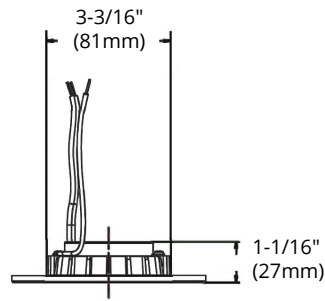
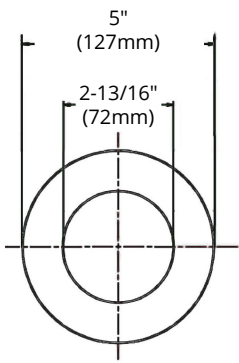
- The attached spring clips are for recessed housing thus cannot be installed in cut hole in ceiling
- Ceiling clearance required: 1"

### SPECIFICATIONS

|                     |   |
|---------------------|---|
| Model               | <b>SLIM4BP</b>  |
| Wattage             | 9W  |
| Voltage             | 120V  |
| Lumens              | 715 lmn   |
| Beam Angle          | 100°  |
| Lifetime            | 50000 hours   |
| Cutout              | ø 2-13/16" (72 mm)  |
| CRI                 | 80  |
| Dimmable            | Yes   |
| Rating              | IC Rated / Indoor use only / for Wet location                                 |
| Grade of Protection | IP 44   |
| Air Tight           | No  |
| Applications        | Drop ceilings / Office / Attics / Hallways / Bathrooms / Kitchens / Basements |
| Colour Temp.        | 3000K (Warm White) / 5000K (Cool White)                                       |
| Operating Temp.     | -20°C ~ +40°C   |
| Warranty            | 5 years   |

## MODEL SLIM4BP

### DIMENSIONS AND TESTING REPORT



### EXPANSION FUNCTION

#### Multiple Installation possible



Recessed with Can Housing



Surface Mounted with J-Box



Magnet Inside

#### Trims & Accessories (sold separately)



**SLIM4BP-RING WH**  
White Ring



**SLIM4BP-RING SN**  
Satin Nickel Ring



**SLIM4BP-RING CBK**  
Chrome Black Ring



**SLIM4BP-RING BK**  
Black Ring



**DMD-ELV**  
Single pole 3-way dimmers



**PLATE4-HB**  
Mounting Plates for ORTECH 4" Slim Lights



**PLATE26-4**  
New Construction Plates for ORTECH 4" Slim Lights



E26 base and Metal Plate

ORTECH reserves the right to modify at any time, without notice, any or all of our product's features, designs, components and specifications to meet market changes.

| Reference | QTY. | Remarks | Project:      |
|-----------|------|---------|---------------|
|           |      |         | Location:     |
|           |      |         | Architect:    |
|           |      |         | Engineer:     |
|           |      |         | Contractor:   |
|           |      |         | Submitted by: |
|           |      |         | Date:         |