



MD2-SERIES

TRADITIONAL WALL PACK

Catalog #	
Project	
Date	
Prepared by	
Model #	MD2-204



OVERVIEW

The MD2 Series Mini Wall Pack is an energy efficient lighting solution that eliminates the need for frequent lamp or ballast replacements. It is the ideal fixture for security, entryways, stairways, as well as storage and perimeter areas.

PRODUCT HIGHLIGHTS

- 110° beam angle
- CRI 82
- Sealed die-cast aluminum housing with polycarbonate lens
- Built-in photocell
- Dark Bronze finish



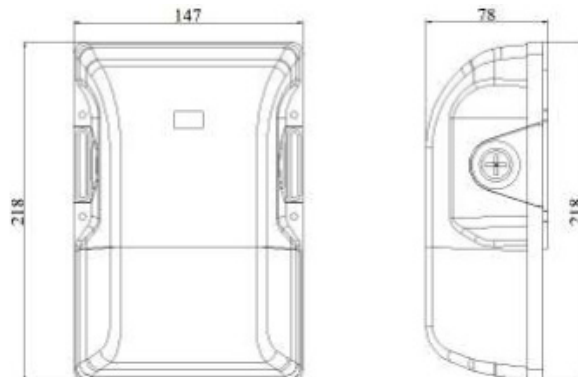
OPTICAL SPECIFICATIONS

Lumen Output (lm)	2,669 lm	Beam Angle (°)	110°
CCT (K)	4000K	Projected Lifetime (L ₇₀)	>50,000 hours
CRI (Ra)	80+	Chromaticity Shift (K)	±250K
Efficacy (lm/W)	131 lm/W		

ELECTRICAL SPECIFICATIONS

Power (W)	20W	Output Voltage (VDC)	60V
Apparent Power (VA)	20.6VA	Current Draw at 120V _{AC} (A)	0.167A
System Wattage (W)	20.26W	Current Draw at 208V _{AC} (A)	0.096A
Replacement for	70W HID	Current Draw at 240V _{AC} (A)	0.083A
Input Voltage	100-277V	Current Draw at 277V _{AC} (A)	0.073A

PRODUCT DIMENSIONS



LED & DRIVER SPECIFICATIONS

LED Type	2835	Driver Class	Class 1
Dimmable	No	Surge Protection	1kV
Power Factor	0.904	Inrush Current	20A
THD	16.18%		

CONSTRUCTION

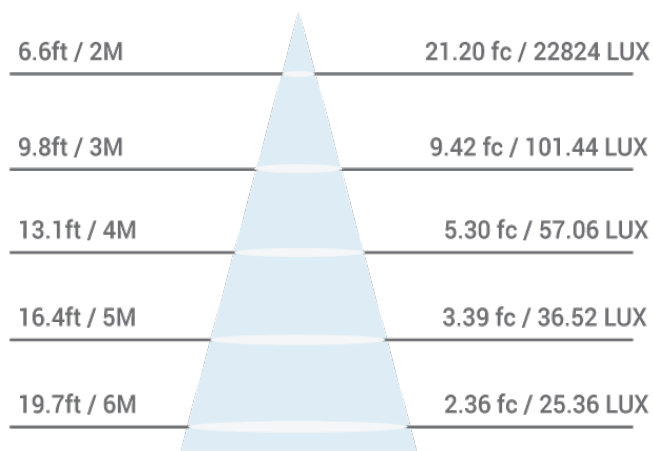
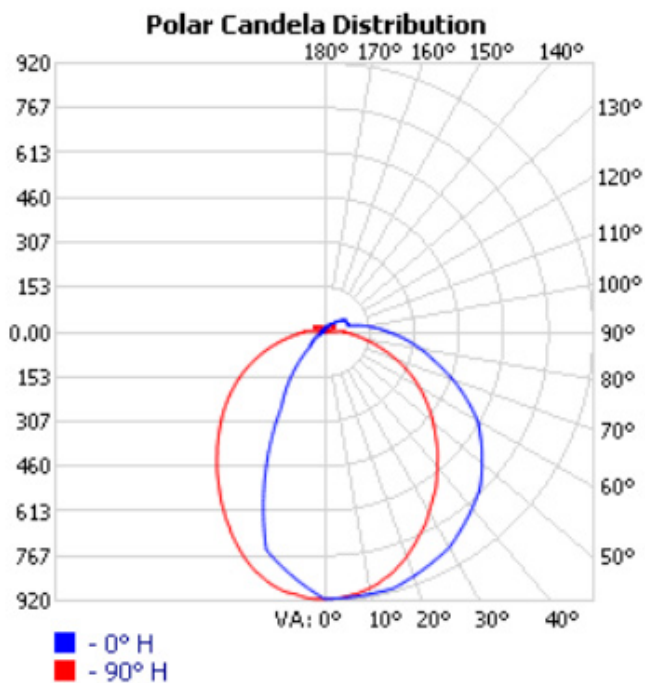
Housing Material	Cast Aluminum	Weight (kg/lbs)	0.82kg / 1.8lbs
Housing Color	Dark Bronze	Installation Method	Wall Mount
Lens Material	Polycarbonate	Operation Range (°C/°F)	-40°C to 45°C / -40°F to 113°F
Dimensions (inch/mm)	L: 8 9/16" (218mm) W: 5 3/4" (147mm) H: 3 1/16" (78mm)	Warranty	10 years

APPROVALS AND LISTINGS

UL/ETL	cETLus	IP Rating	IP65
Wet Location Rated	Yes	DLC Premium	PLYQONK13BDH

POLAR CANDELA DISTRIBUTION

ILLUMINANCE AT A DISTANCE



1. Due to the special conditions of manufacturing, the typical data of optical specifications can only reflect statistical figures and do not necessarily correspond to the actual parameters of each single product which could differ from the typical data.
 2. Exceeding maximum ratings for input voltage and current will cause hazardous overload and will likely destroy the LED fixture.
 3. Refer to Warranty Terms & Conditions available at premiseled.com/warranty