



Catalog Number
Notes
Type

Contractor Select™  
**OVWP LED**  
 Wall Sconce

The OVWP LED wall sconce is an attractive and energy efficient solution. The day-form has a compact and elegant look. It's minimalistic design provides a depth less than 2 3/8 inches making it ADA compliant. The added benefits of LED energy savings and dusk-to-dawn controls makes it a great solution for residential single and multi-family applications.

**FEATURES:**

- Replaces: Up to 70W Metal Halide, saving 85% in energy costs
- Elegant and compact design provides a depth less than 2 3/8-inches, ADA compliant
- Photocell for dusk to dawn operation



Catalog Number	UPC	Description	Replaces Up To	Lumens	Wattage	CCT	Voltage	Finish	Pallet qty.
OVWP LED 40K 120 PE DDB M4	889804851090	WALL PACKS	70W METAL HALIDE	1,242	14W	4000K	120V	BRONZE	448
OVWP LED 40K 120 PE WH M4	889804851120	WALL PACKS	70W METAL HALIDE	1,242	14W	4000K	120V	WHITE	448

More configurations are available. [Click here](#) or visit [www.acuitybrands.com](http://www.acuitybrands.com) and search for OVWP LED or OFM LED.



## Specifications

### INTENDED USE:

The OVWP provides years of maintenance-free general illumination for commercial or residential outdoor applications such as driveways, patios, loading areas and warehouses.

### CONSTRUCTION:

Rugged cast-aluminum, corrosion-resistant rear mounting plate. Impact resistant polycarbonate front cover/diffuser resists fading and cracking. Driver operates at 120V. Operating temperature -40°C to 40°C. Lenses are engineered for uniform light distribution, uniformity and fixture spacing. See Lighting Facts Labels for specific fixture performance.

### ELECTRICAL:

Light engine consists of long-life, high-efficacy LEDs mounted on an internal aluminum heat sink to maximize heat dissipation and promote long life (L95/100,000 hours at 40°C). Driver and integral photocell operate at 120V and are fully enclosed in the upper housing. There are no user serviceable parts. LEDs maintain 70% of light output at 35,000 hours of service. (LED lifespan based on IESNA LM-80-08 results and calculated per IESNA TM-21-11 methodology).

### INSTALLATION

Designed for wall mount applications more than 4' above the ground. Mounts to a recessed junction box (by others).

### LISTINGS:

ETL Listed to US and Canadian safety standards for wet locations.

### WARRANTY:

1-year limited warranty. Complete warranty terms located at:

[www.acuitybrands.com/support/customer-support/terms-and-conditions](http://www.acuitybrands.com/support/customer-support/terms-and-conditions)

**Note:** Actual performance may differ as a result of end-user environment and application.

All values are design or typical values, measured under laboratory conditions at 25 °C.

Specifications subject to change without notice.

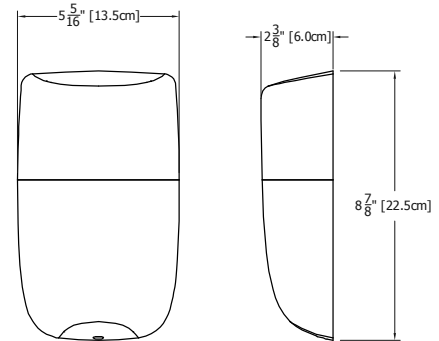
## Dimensions

Width: 2-3/8"(6cm)

Height: 8-7/8"(22.5cm)

Depth: 5-5/16"(13.5cm)

Weight: 1.5lbs(0.68kg)



All dimensions are inches (centimeters) unless otherwise indicated.