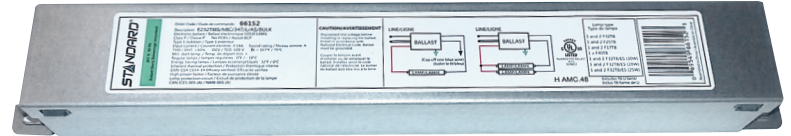


ORDERING INFORMATION

Order code: 66151
 Description: E232T8IS/MIC/347/N/AS/BULK
 UPC: 69549661516



SPECIFICATIONS

| | | | |
|---------------------------------|----------------------|--|---------------------------|
| Ballast type: | Electronic | Type | 1 Outdoor |
| Starting method: | Active Instant Start | Contains PCBs: | No |
| Lamp connection: | Parallel | Sound rating: | A |
| Power Factor Correction: | Active | Open current voltage (OCV) (V): | 600 |
| Input voltage (V): | 347 V | Inherent thermal protection: | Yes |
| Input frequency (Hz): | 60HZ | Lamp protection circuit: | Yes |
| Max. case temperature: | 75 °C | ICES-005 Compliant: | Class A GDLE |
| Thermal protection: | Class P | Auto-restrike: | Yes |
| | | Approvals: | NRCAN CAN CSA- C654-14 |



| Lamp type | Number of lamps | Rated lamp watts | Min. start temp. (°F / °C) | Input current (A) | Input power (ANSI watts) | Ballast factor | Max THD (%) | Power factor | Max. lamp current crest factor | B.E.F. |
|---------------|-----------------|------------------|----------------------------|-------------------|--------------------------|----------------|-------------|--------------|--------------------------------|--------|
| F32T8 | 2 | 32 | 0/-18 | 0.19 | 57 | 0.88 | 10 | 0.99 | 1.7 | 1.54 |
| F32T8 | 1 | 32 | 0/-18 | 0.10 | 37 | 1.08 | 15 | 0.98 | 1.7 | 2.92 |
| F25T8 | 2 | 25 | 0/-18 | 0.13 | 47 | 0.95 | 10 | 0.99 | 1.7 | 2.02 |
| F25T8 | 1 | 25 | 0/-18 | 0.08 | 30 | 1.13 | 15 | 0.98 | 1.7 | 3.77 |
| F17T8 | 2 | 17 | 0/-18 | 0.10 | 36 | 1.03 | 15 | 0.98 | 1.7 | 2.86 |
| F17T8 | 1 | 17 | 0/-18 | 0.06 | 20 | 1.45 | 20 | 0.97 | 1.7 | 7.25 |
| F40T8 | 1 | 40 | 32/0 | 0.12 | 43 | 1.00 | 10 | 0.99 | 1.7 | 2.33 |
| F32T8/ES(30W) | 2 | 30 | 32/0 | 0.16 | 56 | 0.88 | 10 | 0.99 | 1.7 | 1.57 |
| F32T8/ES(30W) | 1 | 30 | 32/0 | 0.10 | 36 | 1.11 | 15 | 0.98 | 1.7 | 3.08 |
| F32T8/ES(28W) | 2 | 28 | 32/0 | 0.14 | 50 | 0.88 | 10 | 0.99 | 1.7 | 1.76 |
| F32T8/ES(28W) | 1 | 28 | 32/0 | 0.09 | 32 | 1.20 | 15 | 0.98 | 1.7 | 3.75 |
| F32T8/ES(25W) | 2 | 25 | 32/0 | 0.13 | 45 | 0.88 | 10 | 0.99 | 1.7 | 1.96 |
| F32T8/ES(25W) | 1 | 25 | 32/0 | 0.09 | 30 | 1.25 | 15 | 0.98 | 1.7 | 4.17 |

This lighting equipment complies with Canadian standard ICES-005; for use in commercial applications.

WARRANTY:

Ballast warranty of 5 years for electronic ballast 75 °C. Ballast warranty of 3 years for electronic ballast 90 °C. For more information visit our website.

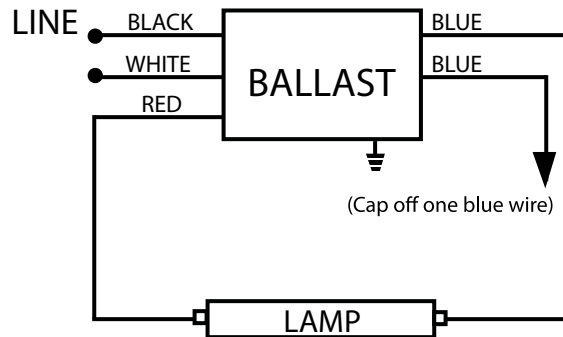
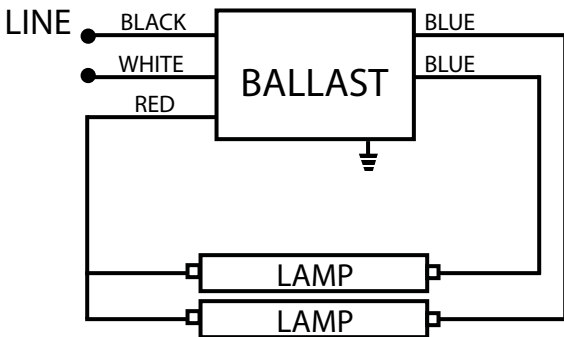
Data is based upon tests performed in a controlled environment and representative of relative performance. Actual performance can vary depending on operating conditions. Specifications are subject to change without notice.

November 15, 2017

ORDERING INFORMATION

Order code: 66151
 Description: E232T8IS/MIC/347/N/AS/BULK
 UPC: 69549661516

WIRING DIAGRAM

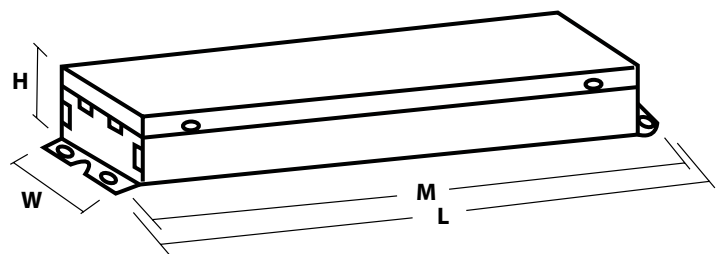


LEADS LENGTH

| | |
|-------|------------------|
| Black | 18.8" (48.0 cm) |
| White | 18.8" (48.0 cm) |
| Blue | 31.0" (78.70 cm) |
| Red | 46.5" (118.0 cm) |

BALLAST DIMENSIONS

| | |
|---------------|------------------|
| Length (L): | 9.50" (24.10 cm) |
| Width (W): | 1.26" (3.20 cm) |
| Height (H): | 1.15" (2.80 cm) |
| Mounting (M): | 8.90" (22.30 cm) |



This lighting equipment complies with Canadian standard ICES-005; for use in commercial applications.

WARRANTY:

Ballast warranty of 5 years for electronic ballast 75 °C. Ballast warranty of 3 years for electronic ballast 90 °C.
 For more information visit our website.

Data is based upon tests performed in a controlled environment and representative of relative performance.
 Actual performance can vary depending on operating conditions. Specifications are subject to change without notice.
 November 15, 2017