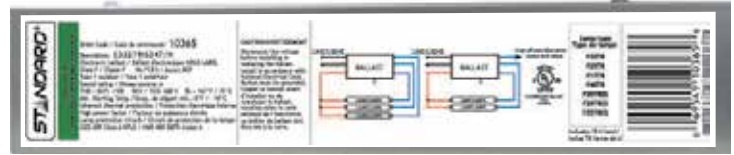


ORDERING INFORMATION

Order code: 10365
 Description: E332T8IS347/N
 UPC: 69549103658



SPECIFICATIONS

Ballast type: Electronic
Starting method: Instant Start
Lamp connection: Parallel
Input voltage (V): 347
Input frequency (Hz): 60
Max. case temperature: 75 °C
Thermal protection: Class P

Type: 1 Outdoor
Contains PCBs: No
Sound rating: A
Open current voltage (OCV) (V): 600
Inherent thermal protection: Yes
Lamp protection circuit: Yes
ICES-005 Compliant: Class A RFLD
Auto-restrike: Yes



Lamp type	Number of lamps	Rated lamp watts	Min. start temp. (°F / °C)	Input current (A)	Input power (ANSI watts)	Ballast factor	Max THD (%)	Power factor	Max. lamp current crest factor	B.E.F.
347 VOLTS										
F32T8 (32W)	3	32	0/-18	0.24	83	0.87	10	0.99	1.7	1.05
F32T8/ES (30W)	3	30	60/15	0.23	77	0.87	10	0.99	1.7	1.13
F32T8/ES (28W)	3	28	60/15	0.21	72	0.87	10	0.99	1.7	1.21
F32T8/ES (25W)	3	25	60/15	0.19	65	0.87	10	0.99	1.7	1.34
F25T8 (25W)	3	25	0/-18	0.19	65	0.91	15	0.99	1.7	1.40
F17T8 (17W)	3	17	0/-18	0.14	48	0.96	25	0.98	1.7	2.00
F32T8 (32W)	2	32	0/-18	0.19	66	1.00	15	0.99	1.7	1.52
F32T8/ES (30W)	2	30	60/15	0.19	59	1.00	10	0.99	1.7	1.69
F32T8/ES (28W)	2	28	60/15	0.16	55	1.00	10	0.99	1.7	1.82
F32T8/ES (25W)	2	25	60/15	0.14	49	1.00	10	0.99	1.7	2.04
F25T8 (25W)	2	25	0/-18	0.15	51	1.00	20	0.98	1.7	1.96
F17T8 (17W)	2	17	0/-18	0.11	38	1.05	35	0.95	1.7	2.76
F40T8 (40W)	2	40	32/0	0.22	77	0.89	15	0.99	1.7	1.16

This lighting equipment complies with Canadian standard ICES-005; for use in commercial applications.

WARRANTY:

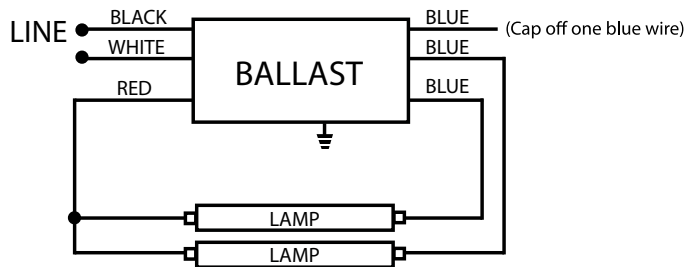
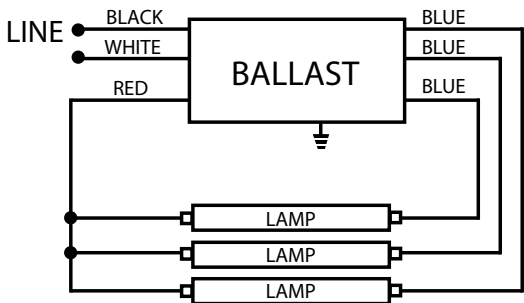
Ballast warranty of 5 years for electronic ballast 75 °C. Ballast warranty of 3 years for electronic ballast 90 °C. For more information visit our website.

Data is based upon tests performed in a controlled environment and representative of relative performance. Actual performance can vary depending on operating conditions. Specifications are subject to change without notice.
 March 9, 2015

ORDERING INFORMATION

Order code: 10365
 Description: E332T8IS347/N
 UPC: 69549103658

WIRING DIAGRAM

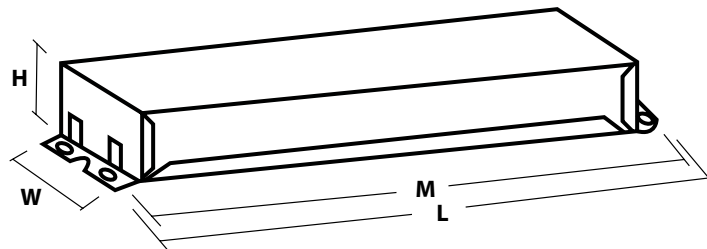


LEADS LENGTH

Black	18.0" (48.0 cm)
White	18.0" (48.0 cm)
Blue	30.9" (78.5 cm)
Red	46.0" (116.84 cm)

BALLAST DIMENSIONS

Length (L):	9.50" (24.10 cm)
Width (W):	1.70" (4.30 cm)
Height (H):	1.14" (2.90 cm)
Mounting (M):	8.90" (22.60 cm)



This lighting equipment complies with Canadian standard ICES-005; for use in commercial applications.

WARRANTY:

Ballast warranty of 5 years for electronic ballast 75 °C. Ballast warranty of 3 years for electronic ballast 90 °C.
 For more information visit our website.

Data is based upon tests performed in a controlled environment and representative of relative performance.
 Actual performance can vary depending on operating conditions. Specifications are subject to change without notice.
 March 9, 2015