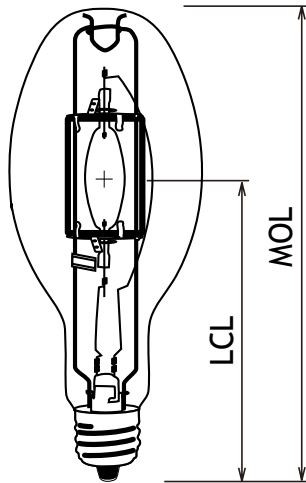


TECHNICAL INFORMATION BULLETIN

Pulse Start System Pulsetek™

Ordering Information

Order code: 57991
 Description: MP400W/V/UVS/PS/740 STD
 UPC: 69549579910
 Case quantity: 6
 ANSI code: M155/O

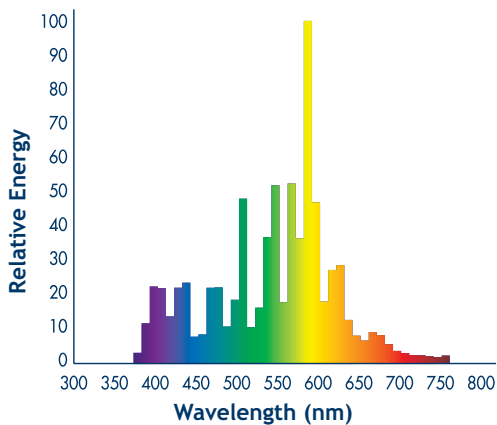


Performance Data

Wattage (W):	400
Initial lumens (lm):	41 000
Mean lumens (lm):	33 000
Lumens per watt (lm/W):	103
Lamp voltage (V):	135
Colour temperature (K):	4 000
Chromaticity (x,y):	0.385, 0.390
CRI:	68
Average life (hrs):	20 000
Lamp lumen depreciation:	0.86% @ 8 000 hrs
Warm up time to 90% (min):	2-3
Hot restart time to 90% (min):	4-6
Burn Position:	Base Up ± 15°
Dimming:	50% rated power
Max base temperature:	210
Max lamp temperature:	400
Socket pulse rating (kV):	4



Spectral Distribution



Physical data / Requirements

Shape:	ED37
Base:	EX39
Finish:	Clear
Luminaire rating:	Open Rated
Diameter (mm/in.):	117.5 (4 5/8)
MOL (mm/in.):	292.0 (11 1/2)
LCL (mm/in.):	178.0 (7)
Effective arc length (mm):	43.9
Mercury Content (mg):	40.3

Warning

“R” WARNING: this lamp can cause serious skin burn and eye inflammation from shortwave ultraviolet radiation if the outer envelope of the lamp is broken or punctured. Do not use where people will remain for more than a few minutes unless adequate shielding or other safety precautions are used. Lamps that will automatically extinguish when the outer envelope is broken or punctured are commercially available. Complies with USA Federal Standard 21 CFR 1040.30 and Canada Standard SOR/80-381.

