

netSELECT

Jacks

Category 5e Jack

Features

- IDC Pair Splitting Tower Allows for Minimum Disruption to Cable Twist
- Compatible with Standard 110 Termination Tools
- Standard HPW Keystone Mounting
- Backwards Compatible to Category 5 and 3

Ordering Information

Description	Color	UPC Number	CatalogNumber
Modular Snap Fit Category 5e Jack, 25-Pack	Blue	883778502781	NSJ5EB25

Listings

UL Listed
ANSI/TIA 568-C.2 Category 5e Channel Compliant
RoHS Compliant

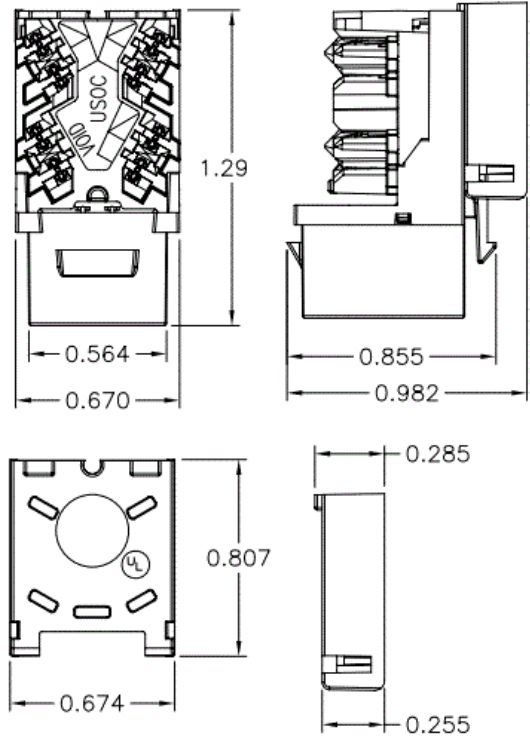
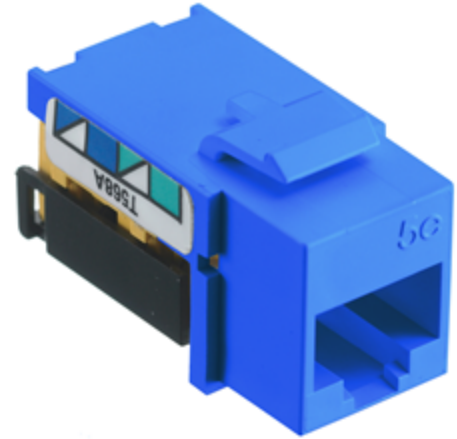
Specifications

Material	18 Gauge Cold Rolled Steel
Surface Finish	Galvanized

Applications

Ethernet 10/100/1000BASE-T

HUBBELL



Online Resources

Customer Use Drawing
eCatalog

Dimensions in Inches (mm)

Hubbell Wiring Device-Kellems • Hubbell Incorporated (Delaware) • 40 Waterview Drive • Shelton, CT 06484

Phone (800) 288-6000 • Fax (800) 255-1031 • Specifications subject to change without notice.

