



C\_BRKT\_SS

## BRKT-SS Cable Mounting Brackets

Raychem BRKT-SS cable mounting brackets are versatile and may be used outdoors. The brackets are constructed of stainless steel and include all hardware.

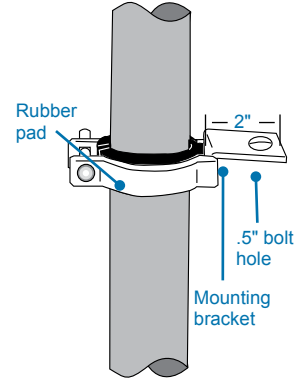
- Suitable for use on all types of cables
- For use with terminations or other applications where cable mounts are needed
- Includes a mounting bracket and rubber pad

### Selection Information: dimensions in inches (millimeters)

Catalog Number	Cable Range O.D. Range
BRKT-1-SS	0.80-1.25 (20-32)
BRKT-2-SS	1.10-1.50 (28-38)
BRKT-3-SS	1.45-1.95 (37-50)
BRKT-4-SS	1.80-2.40 (46-61)

### Ordering Information

1. Standard package: 1 bracket/box
2. Order brackets based on cable diameter, confirm size with use range.
3. Related test report: NCTR-99-065



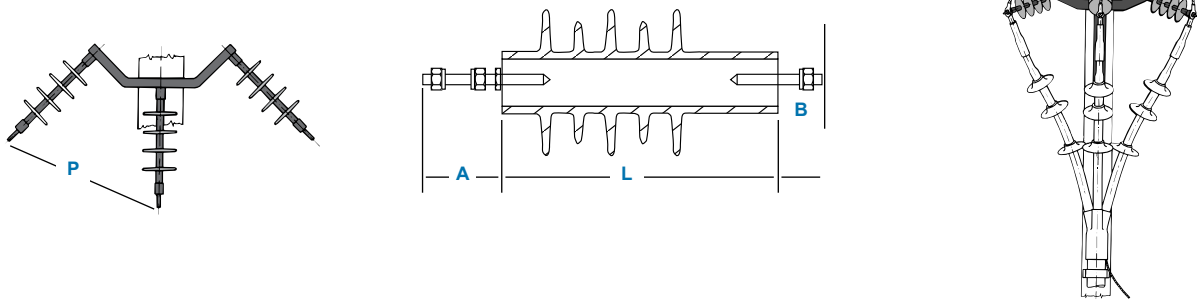
C\_EAKT-1520

## EAKT-1520 Mounting Kits

TE Connectivity Raychem offers a mounting bracket and support insulators for poletop mounting of TE high voltage terminations. The EAKT-1520 series mounting kits provide a galvanized steel bracket, three insulators for mounting outdoor terminations, and installation instructions.

The bracket is dip galvanized to meet outdoor requirements (BS 729). The insulators are lightweight and shatterproof. They combine a strong and flexible polymeric core with TE's proven high-voltage, nontracking material.

- Used with TE's Raychem high-voltage outdoor termination kits (15–35 kV).
- Includes a galvanized steel T-bracket, three insulators for poletop mounting, and installation instructions.



### Selection Information: dimensions in inches (millimeters)

Catalog Number	Voltage Class (kV)	Insulator Dimensions				No. of Skirts	Min. Creepage Length	Mechanical Capabilities Cantilever	Torque M12 (ft. lb)
		P	L	A	B				
EAKT 1521	15	12.5 (310)	7.6 (195)	2.6 (65)	1.4 (35)	5	15.4 (390)	184	37
EAKT 1523	25	17.0 (430)	12.0 (305)	2.6 (65)	1.4 (35)	9	26.0 (660)	184	37
EAKT 1524	35	22.0 (560)	15.0 (380)	2.6 (65)	1.4 (35)	11	43.3 (1100)	516	37

### Ordering Information

1. Standard package: 1 kit/box.
2. Related test reports: UVR-8150, UVR-8166