

## YDD-L GEN 2 DUSK TO DAWN YARD LIGHT

The YDD-L is an energy efficient dusk to dawn yard light. It was designed for barns and farms. It is a versatile and economic light source that is good on the environment and uses long life LED's. The YDD-L comes standard with a photocontrol which helps to provide significant power savings. It includes an installation bracket for pole and wall mounting and a 21" arm for ease and versatility of installation. All units come standard with 3' of cable to facilitate the connection to the junction box when mounting with the pole arm.

### FEATURES AND SPECIFICATIONS

#### • Construction

##### Housing

Heavy-duty cast aluminum housing finished standard in a grey polyester powder coating with anti-corrosive finish and rust proof. Standard pole mount compatible. Dusk to Dawn with photo control.

##### Mounting options

The YDD-L comes standard with a removable 21" arm for pole or wall mounting.

##### Lens

Polycarbonate diffused lens encloses high performance LEDs.

#### • Electrical

- Comes standard with 120-277 V 50/60Hz non-dimmable and rated IP65 driver
- 3' of power cable is included to facilitate the connection to the junction box when mounting with the 21" pole arm
- Twist-lock grey photocell 120-277 V included
- Ambient operating temperature range of -40°C to +40°C

#### • Compliances

- Wet location
- IK07
- Meets requirements of ICES-005 issue for class B product
- cETLus



### OVERVIEW

|                       |               |
|-----------------------|---------------|
| Light source          | LED           |
| Watts (W)             | 56            |
| Lumen output (lm)     | 6843 - 7333   |
| Efficiency (lm/W)     | 123 - 130     |
| Color temperature (K) | 4 000 - 5 000 |
| Weight (lbs)          | 3.66          |



ICES  
005



Not all products are qualified on the DLC QPL. To view our DLC qualified products, please consult the DLC Qualified Products List at [www.designlights.org/search](http://www.designlights.org/search).

**QUICK SHIP AND TECHNICAL SPECIFICATION TABLE** 🕒<sup>1</sup>

| Order code | Part number     | DLC unique ID | Watts (W) | Volts (VAC) | Color temp. (K) <sup>2</sup> | Lumen output (lm) <sup>3</sup> | Efficiency (lm/W) | CRI  | Life L70 (hrs) <sup>4</sup> | Power factor | THD (%) | Traditional equivalent (W) | Case qty (master) |
|------------|-----------------|---------------|-----------|-------------|------------------------------|--------------------------------|-------------------|------|-----------------------------|--------------|---------|----------------------------|-------------------|
|            | YDD-LS2B-W/4KPT | PLY1INITGAY   | 56        | 120-277     | 4 000                        | 6 843                          | 123               | 82.7 | >54 000                     | 0,75-0,98    | 9       | 130                        | 4                 |
|            | YDD-LS2B-W/5KPT | PLCH4KAZLSW1  | 56        | 120-277     | 5 000                        | 7 333                          | 130               | 84.6 | >54 000                     | 0,75-0,98    | 9       | 140                        | 4                 |

<sup>1</sup> **QUICK SHIP:** Product availability is subject to change without notice. Please contact your Stanpro customer service representative to confirm inventory levels at time of order.

<sup>2</sup> Typical color temperature range: +/- 5 %.

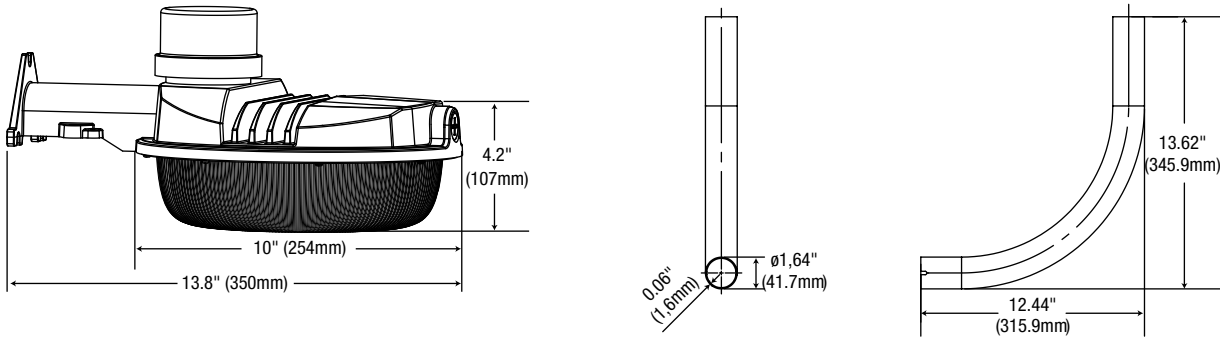
<sup>3</sup> Lumen values are derived from photometric testing. Initial lumens range: +/- 10 %.

<sup>4</sup> Life hours are derived from IESNA LM-80-08 testing report and projected per IESNA TM-21-11 extrapolations.

**ACCESSORIES (order separately)**

| Part number | Type         |
|-------------|--------------|
| PH0009      | Shorting cap |

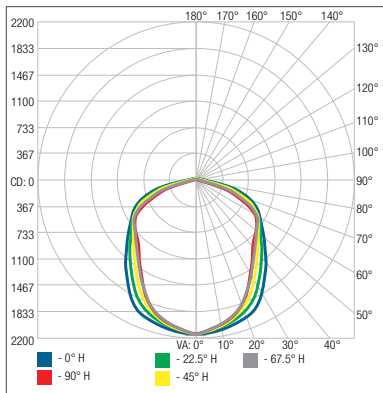
**DIMENSIONS**



**PHOTOMETRIC DATA<sup>1</sup>**

**YDD-LS2B-W/4KPT • 6 830.5 lm**

**Polar candela distribution**



**Zonal lumen summary**

| Zone   | Lumens  | % Fixture |
|--------|---------|-----------|
| 0-30   | 1 654.5 | 24.2%     |
| 0-40   | 2 646.8 | 38.7%     |
| 0-60   | 4 654.9 | 68.1%     |
| 60-90  | 1 843.1 | 27%       |
| 70-100 | 1 025.5 | 15%       |
| 90-120 | 214.0   | 3.1%      |
| 0-90   | 6 498.0 | 95.1%     |
| 90-180 | 332.5   | 4.9%      |
| 0-180  | 6 830.5 | 100%      |

**Illuminance at a distance**

| Center beam fc | Beam width |
|----------------|------------|
| 17.0'          | 7.39 fc    |
| 34.0'          | 1.85 fc    |
| 51.0'          | 0.82 fc    |
| 68.0'          | 0.46 fc    |
| 85.0'          | 0.30 fc    |
| 102.0'         | 0.21 fc    |

Vert. spread: 116.7°  
Horiz. spread: 107.7°

<sup>1</sup> Complete IES files available on our website.

Data is based upon tests performed in a controlled environment. Actual performance can vary depending on operating conditions. All products are subject to change or may be discontinued any time without notice.