

EZ Ordering Information

Please fill in the form below to specify the Zforce™ product that meets your specifications.

Z_P P0 kV - P1 P2 P3 P4 P5 P6 P7

Z_P Pole Type

ZNP - Zinc Oxide Normal Duty 5 kA Polymer Arrester

ZHP - Zinc Oxide Heavy Duty 10 kA Polymer Arrester

ZRP - Zinc Oxide Riser Pole Polymer Arrester

P0 General Options

0 - 3/8" x16 SSTL Studs (line and ground terminals)

kV(U_r) Duty-Cycle Rating of Arrester

03, 06, 09, 10, 12, 15, 18, 21, 24, 27, 30, 36

P1 Insulating Bracket Options

- 0** - Standard Insulating Bracket with GLD
- 1** - Standard Insulating Bracket, No GLD
- 2** - No Insulating Bracket, with GLD (line arrester)
- 3** - No Insulating Bracket, No GLD (switchgear application)

P2 Additional Bracket Options

- 0** - No NEMA Brackets
- A** - Transformer Type A Bracket
- C** - Crossarm Bracket (top mounting with backstrap assembly)
- N** - Transformer Type N Bracket
- W** - Transformer Type W Bracket

P3 Top Terminal Options*

- 00** - Standard-Four corner SSTL clamp and nut
- 02** - Two four corner SSTL clamps
- 11** - 18" Insulated Wire Lead with line ring terminal/flat washer/lock washer
- 12** - 18" Insulated Wire Lead with two ring terminals/flat washer/lock washer

P4 Universal Insulating Cap (Bird Guard)

- 0** - Without Cap
- 1** - With Cap
- 2** - Fuse Kit
- 3** - With Cap (see note)

NOTE: If P7 option is #P or #S and P3 is 11 or 12, select 3 for the P4 position

P5 Bottom Terminal Options*

- 00** - Standard - U clamp and nut
- 01** - Four corner SSTL clamp and nut
- 02** - Two four corner SSTL clamps, (up/down)
- 12** - 12.0" Copper Strap

P6 Bagging Options

- B** - Boss Mounting Hardware
 - H** - Lug Mounting Hardware
- NOTE: If none - leave blank

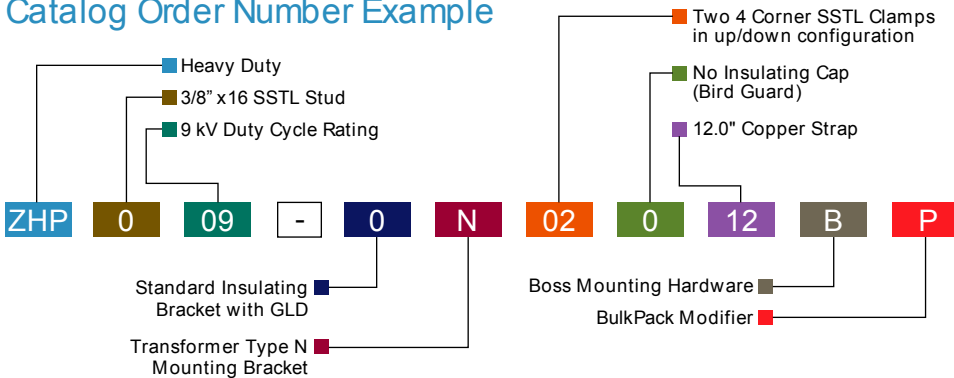
P7 Packaging Options

- #P** - Bulk Packaging
- #S** - Preassemble P2 & P4 options to unit, single pack

NOTE: Blank denotes standard pack of 1 ea.; If P6 option selected, omit number sign

* Top/Bottom Terminal: Fits wire ranges for aluminum or copper conductors from No. 10 solid (3.0mm dia.) through 2/0 stranded (11.0mm dia.)

Catalog Order Number Example



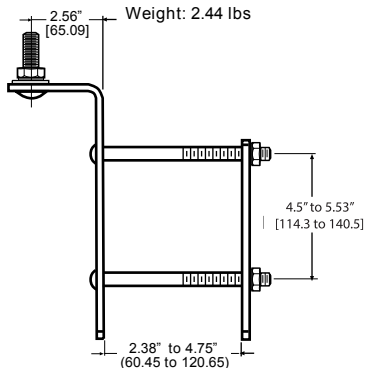
Boss Mounting Hardware



Lug Mounting Hardware

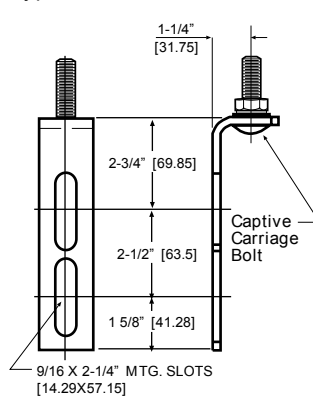
Mounting Brackets

Type "C" EEI - NEMA Top Mounted Crossarm Bracket Weight: 2.44 lbs



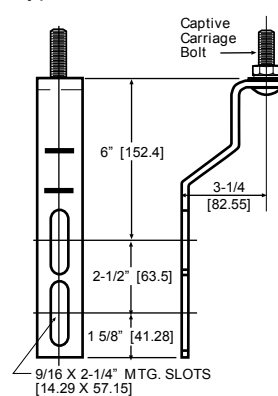
#7106A0025

Type "A" Weight: 1.08 lbs



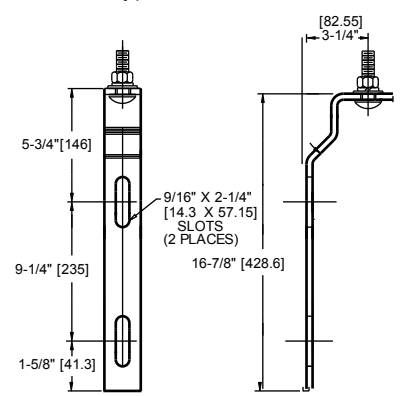
#7106A0013

Type "N" Weight: 1.39 lbs



#7106A0015

Type "W" Weight: 2.09 lbs



#7106A0047