

Project	
Date	
Prepared By	
Model #	HBU15040BK1

## Specifications

### ELECTRICAL

Watts: 150

Voltage: 100-277VAC

Power Factor: >0.9

THD: 15%

Operating Temp. Range:  
-40°C (-4°F) to 50°C (122°F)

### LIGHT

Initial Lumens: 19500

Lumens per Watt: 130

Color Temperature: 4000K

CRI: 80

Dimming: 0-10V

### AGENCY APPROVALS

DLC® Premium: Yes

UL: Yes

RoHS: Yes

NSF: Yes

### PRODUCT DETAILS

Lens: Polycarbonate

Warranty: 5 years

Fixture

Rated Life: 50,000 hours

Lumen Maintenance:  
L95 at 50,000 hrs (68°C)

Weight: 8 LBS

Dimensions:

11.33" Diameter

6.12" Height



Muskegon, Michigan 49441  
T: 231.332.1188 | F: 231.726.5029  
TOLL FREE: 866.632.7840  
www.earthtronics.com

# UFO LED Highbay

19500 Lumens, 150 Watt, 4000K



### ORDER CODE:

11162

### MODEL NUMBER:

HBU15040BK1

### DLC PRODUCT ID:

PLN40F5JJUPU

### REBATE AVAILABILITY\*

## PRODUCT DESCRIPTION

EarthTronics LED Highbay delivers excellent energy savings when replacing up to a 400 watt HID fixtures. This 150 watt fixture has a 11.33" diameter design and produces 19500 lumens which is suitable for 15-30' mounting heights. It features 4000K color temperature with a high 80+ CRI providing excellent visual acuity for accuracy when working in manufacturing and warehousing applications. The die-cast housing combined with the unique open center ventilated LED array afford excellent heat dissipation providing high lumen maintenance over its service life. IP66 rated for exposed applications. Powder coat finish and stainless steel screws provide for corrosion resistant operation. 1-10V dimming standard and compatible with several controls. High quality Samsung LED chips provide for excellent lumen maintenance. L92 is at 50,000 hours and L80 at 120,000 hours (58°C).

## PRODUCT FEATURES

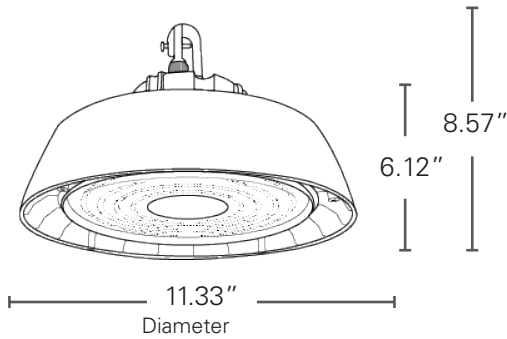
- + 100-277 VAC 50-60Hz
- + DLC® Premium operating at 130 lumens per watt
- + NSF certified (for food safety, food processing)
- + Ships with polycarbonate lens
- + Ships with standard 6' 18/3 SJT whip and mounting hook
- + 4kV Surge Protection built in
- + IP66 wet location rated
- + 0-10V dimming (pre-wired)
- + Corrosion resistant finish and screws

## APPLICATIONS

- + Warehouse
- + Manufacturing Facility
- + Cafeteria
- + Auditorium
- + Gymnasium

Please consult installation instructions for proper application and use of this fixture.  
\*Rebate availability access it here: [www.earthtronics.com/rebate-finder](http://www.earthtronics.com/rebate-finder)

## PRODUCT DIMENSIONS



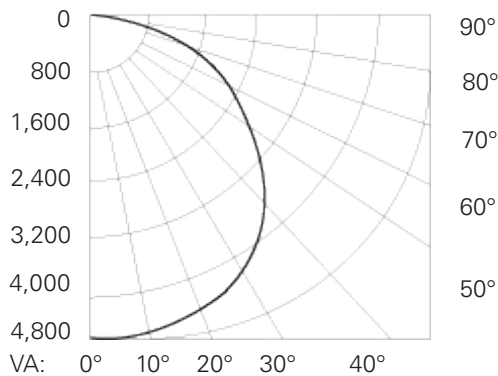
## PACKAGE DETAILS

Dimensions: 13.58" x 13.58" x 8.66"

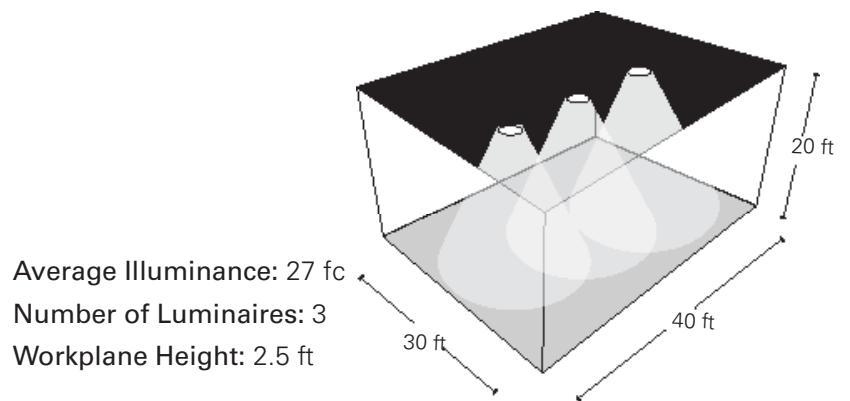
Weight: 9.9 LBS

UPC: 840791111628

## LIGHT DISTRIBUTION CURVE



## LIGHTING LAYOUT



## OPTIONAL ACCESSORIES



Microwave Motion Sensor  
Order Code: 11166



Remote Control for Sensor  
Order Code: 11167

Easily access our DLC qualified products with rebates in your area.

ACCESS IT HERE: [Rebate Finder - Highbay UFO](#)

[www.earthtronics.com/rebate-finder/catalog/](http://www.earthtronics.com/rebate-finder/catalog/)

