

## Product Description

For customers using ventilation systems, Eaton has developed a ventilation panel that provides a safe and reliable solution to control, protect and isolate ventilation equipment. This panel has been specifically designed for the tough electrical installations associated with applications at mining operations and in tunneling projects. The panels are intended for use in non-hazardous, solidly grounded installations up to 600 Vac, they are cCSAus certified.



## Features

- Horsepower rated
- Type 12 or 4X enclosures
- VISA – HMCP for improved safety (optional)
- Combination starter with flange mount fusible disconnect
- NEMA/IEC contactor with C440 electronic overload relay (C441/C445 available as options)
- START/STOP pushbuttons and red RUN pilot light included as standard
- Finger safe fuse block or control transformer fuse holder
- 120 Vac control power
- Compact smaller dimensions than competitive offerings
- cCSAus certified with a large variety of customer specific design options



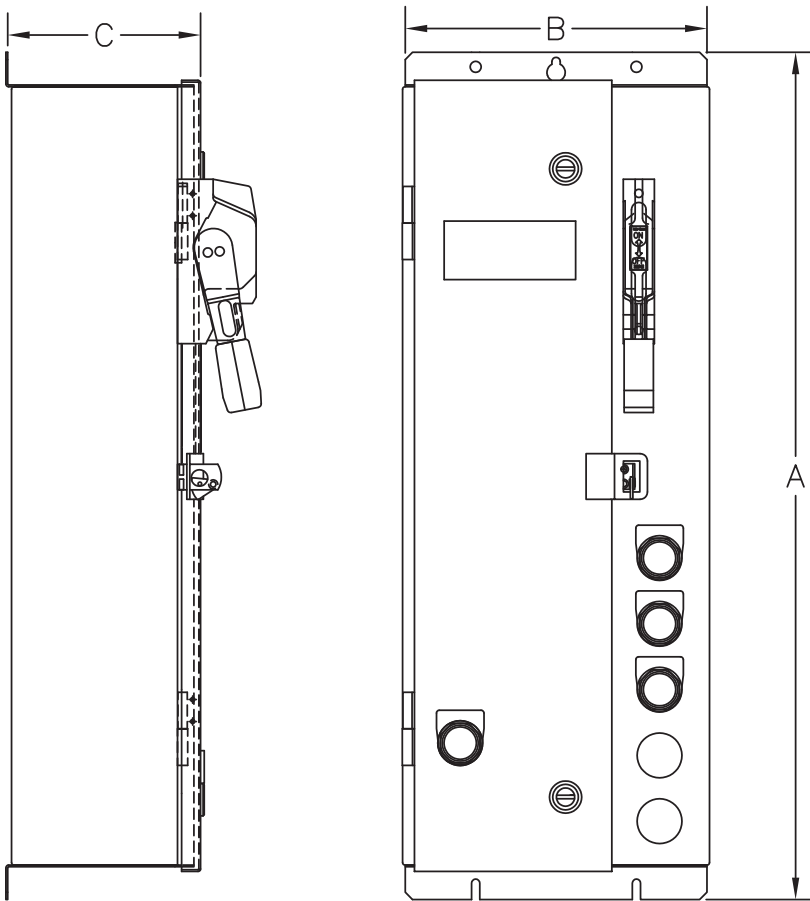
# Ventilation Panel

## Product Selection

Character	VP	005	CB	A	4	C	A	0	X
<i>Product Description</i>	Product	Size	Disconnect Means	Starter Type	Enclosure Rating	Voltage	Fuse Clip Style	Option #1	Option #2
		005 = 5hp (600V) 010 = 10hp (600V) 025 = 25hp (600V) 050 = 50hp (600V) 100 = 100hp (600V) 200 = 200hp (600V)	CB = Motor Circuit Protector FS = Fusible Disconnect	A = NEMA B = IEC	4 = NEMA 4X 8 = NEMA 12	C = 480V D = 600V	A = None B = Class J C = Form II Class C	0 = None (standard C440 O/L) 1 = C441 O/L* 2 = C445 O/L*	X = None E = E-stop Z = Custom

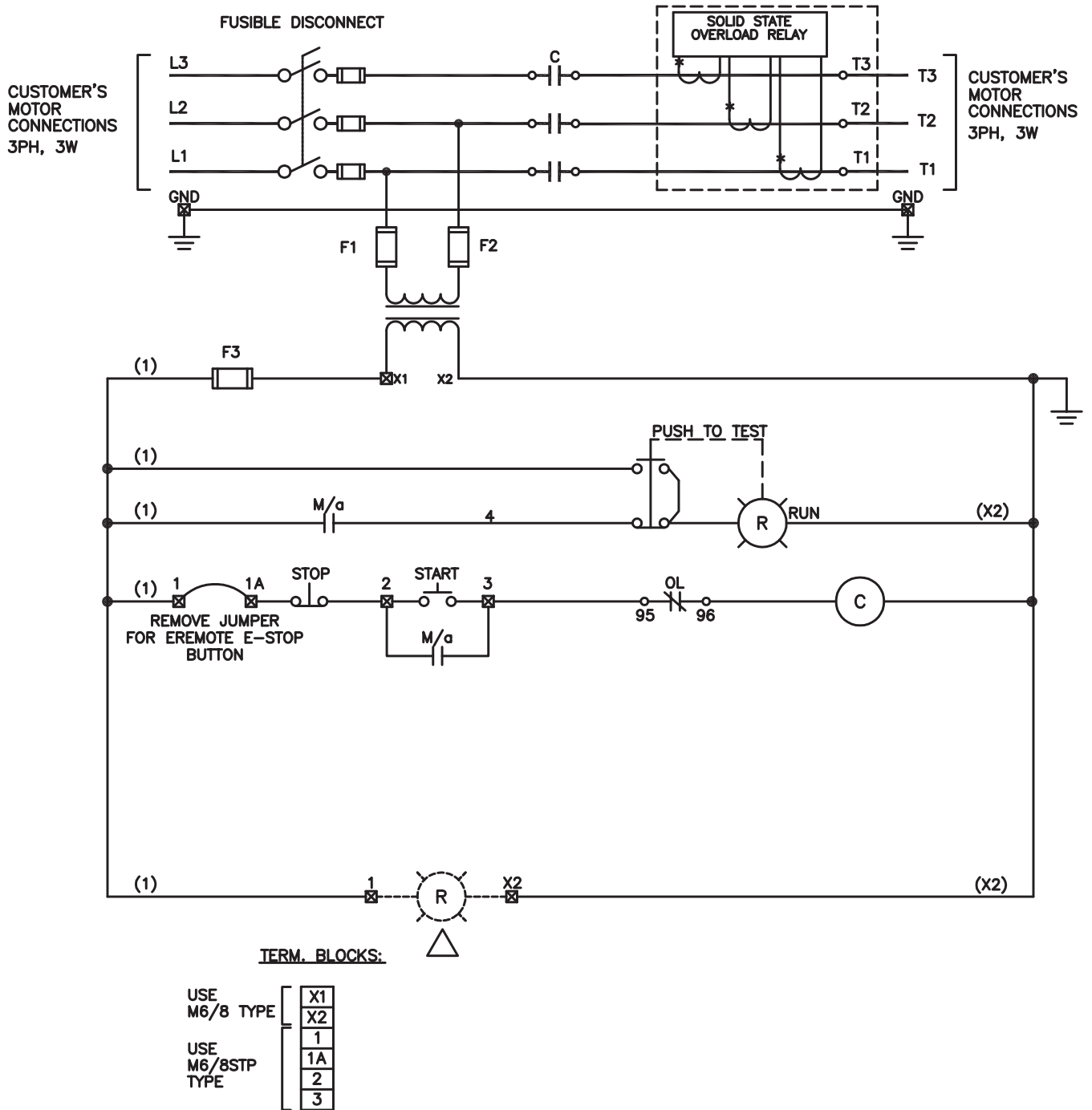
\*Requires oversized enclosure. Consult Eaton for details.

## Dimensions



Panel Type	Height A in (mm)	Width B in (mm)	Depth C in (mm)	Approximate Weight lbs (kg)
VP005-SERIES	29.00 (736.6)	10.50 (266.7)	7.00 (177.8)	25 (11.3)
VP010-SERIES	29.00 (736.6)	10.50 (266.7)	7.00 (177.8)	27 (12.2)
VP025-SERIES	29.00 (736.6)	10.50 (266.7)	7.00 (177.8)	27 (12.2)
VP050-SERIES	32.13 (816.0)	20.50 (520.7)	9.13 (231.8)	60 (27.2)
VP100-SERIES	33.13 (841.4)	26.50 (673.1)	9.13 (231.8)	146 (66.2)
VP200-SERIES	61.75 (1568.5)	28.00 (711.0)	12.00 (304.8)	190 (86.2)

## Control Schematic



### NOTES:

△ - REMOTE CUSTOMER INSTALLED DEVICE