

100W LED Work Light

The LED Work Light is an energy savings, impact resistant long life temporary lighting solution for illuminating workplaces, shops, garages, and warehouses.



FEATURES

- Spring Loaded Hook
- 10ft power cord with plug
- 6KV/10KV surge protection
- Hidden, built-in hidden socket
- Eye-catching housing
- Stainless steel guard
- Epistar LEDs
- Hollow Heat Sink
- Silicone gaskets for damp location use
- 5 year limited warranty

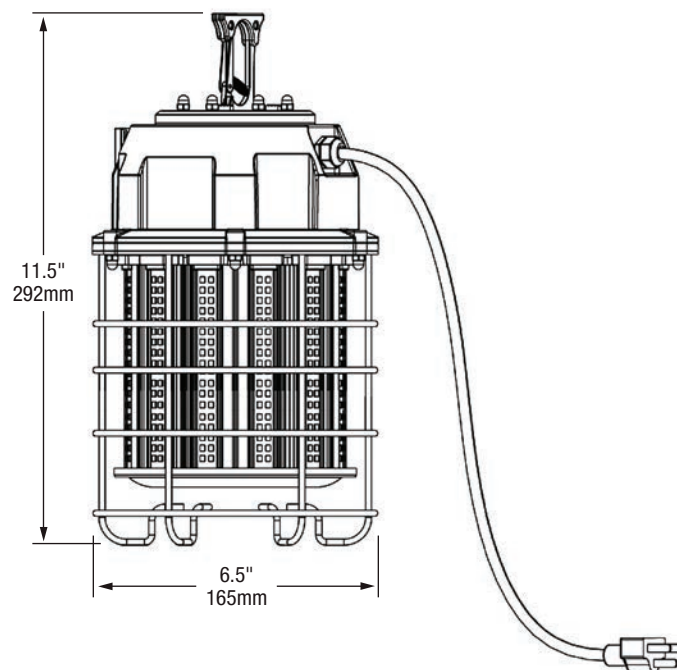
PRODUCT CODES

LWL-100W-50

SPECIFICATIONS

Electrical	AC100-277V, 100W, 50-60Hz
Surge Protection	6KV
Driver	Internal Driver
LEDs	Epistar 2835
Number of LEDs	408
Life Span	50,000 hours
Lumen Output	12,500 lumens
Luminous Efficacy	125 LM/W
CRI	>80
CCT	5000 K
Beam Angle	360°
Dimensions	6.5" x 11.5" H (165 mm x 292 mm)
Net Weight	2.8 kg
Approvals	DLC, cUL, listed for damp location

Dimensions



ACCESSORIES



LWL-MM
Magnet mount kit



LWL-FM
Floor mount kit



LWL-TM
Tripod mount kit