

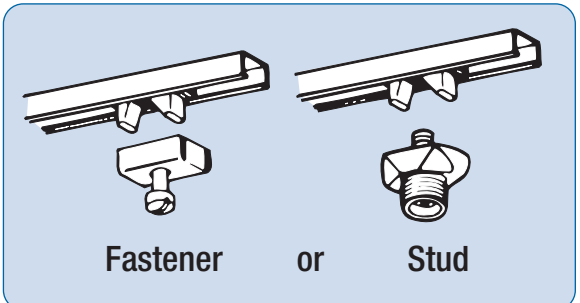
# Steel City®

## Box Supports

Steel City® Metallic Box

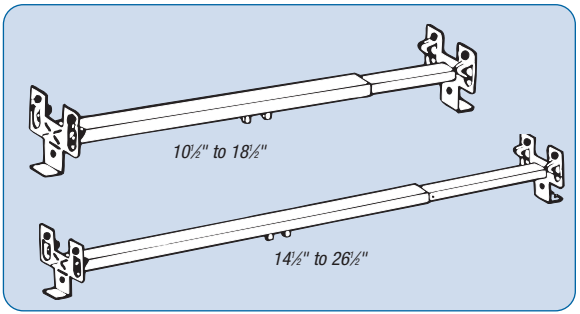
### Adjustable Bar Hangers for Plaster and Drywall

Packaged complete with either...

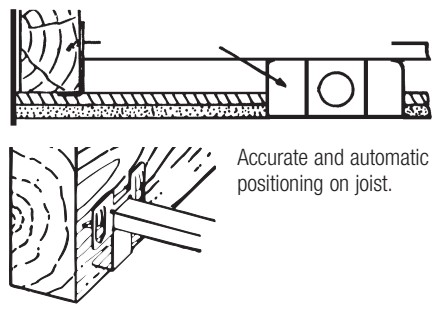


**Ease of Installation:**  
Claws provide temporary support for proper positioning until permanently installed.

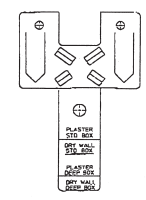
Two adjustable lengths



#### 1/2", 3/4", 7/8" Lath and Plaster

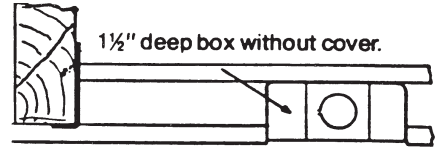


Accurate and automatic positioning on joist.

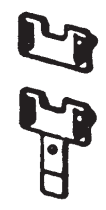


Endplate locator tab is scored and marked for lath and plaster applications with standard and deep boxes.

#### 3/8", 1/2", 5/8" Drywall Board



Foot straightened gauges for 1 1/2" deep box with cover or 2 1/2" deep box without cover. With foot broken off gauges for shallow pan box.



| CAT. NO.  | DEPTH OF END PLATE (IN.) | BAR LGTH. (IN.) | STUD OR FASTENER | STD. CTN. |
|---|--------------------------|-----------------|------------------|-----------|
| <i>For 3/8", 1/2" and 5/8" Wall Board and Plaster — 50 lb. Max. Load Rating</i> |                          |                 |                  |           |
| 6010DW-25   | 1 3/8                    | 10 1/2–18 1/2   | Stud             | 25        |
| 6010ADW-25  | 1 3/8                    | 14 1/2–26 1/2   | Stud             | 25        |
| 6011DW-25   | 1 3/8                    | 10 1/2–18 1/2   | Fastener         | 25        |
| 6011ADW-25  | 1 3/8                    | 14 1/2–26 1/2   | Fastener         | 25        |

\*Score marks for drywall and plaster depths

### Far Side Box Support

- Provides side support for electrical boxes
- Works with most electrical boxes for 2 1/2", 3 1/2" and 4" metal stud depths

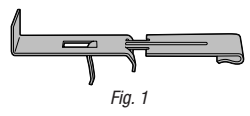
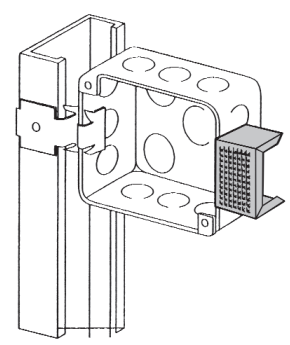


Fig. 1

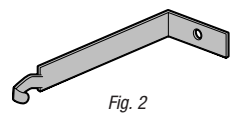


Fig. 2

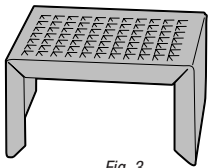


Fig. 3

| CAT. NO. | FIG. NO. | DESCRIPTION                              | STD. CTN. |
|----------|----------|--|-----------|
| SS1-TB   | 1        | Far side box support                     | 100       |
| 50-SC    | 2        | Box brace for 4" square or octagonal box | 100       |
| SSF-SX   | 3        | Electrical box support                   | 100       |