



# PRODUCTS CATALOG

ELECTRICAL ENCLOSURES & MODULAR CABINETS



# 20

[exmweb.com](http://exmweb.com)

The 1412 CSS stainless steel consoles are used to protect electrical equipment against dirt, dust, oil and water splashing. The 1412 CSS consoles can be mounted on pedestals (1500 PESS, see p.416), desktops or machines with the choice of a control surface of 35° or 55°. Consoles are made of 16 GA (Type 304) stainless steel with all seams continuously welded. The cover has a continu-

ous formed hinge. The door is secured by EXM's exclusive flange-mounted quarter-turn locks, which ensure positive closing. These locks are also made of stainless steel.

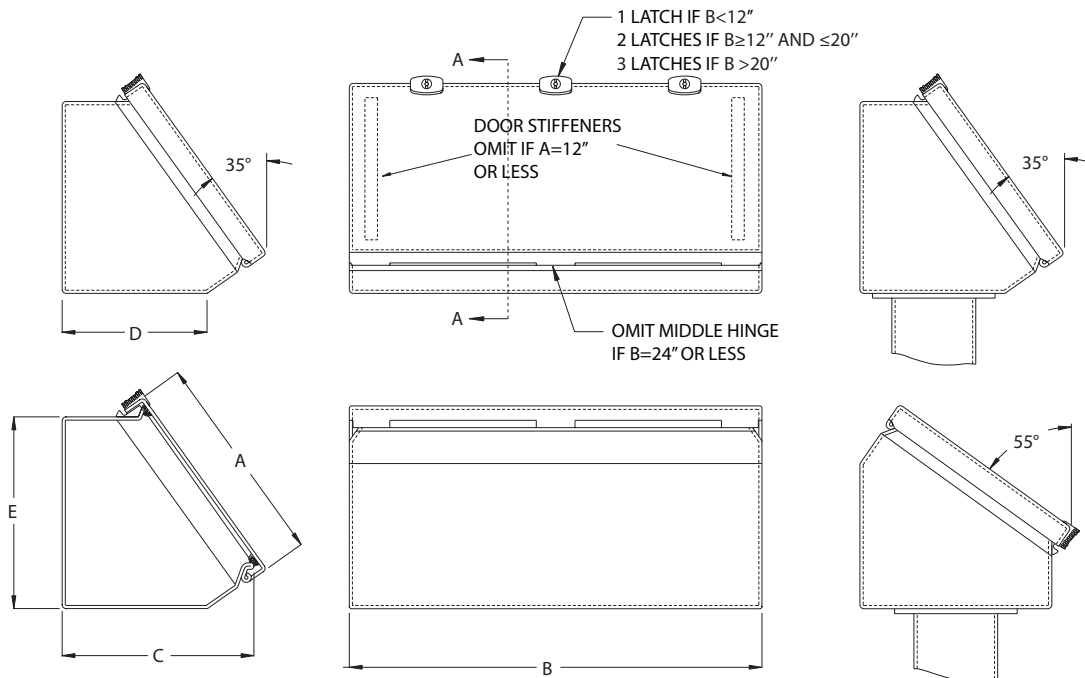
A high quality, seamless gasket, which is poured in place, is used to ensure the integrity of the enclosure.

Pedestals and base, if required, must be ordered separately.

The consoles' exterior is unpainted and brushed smooth. The consoles' interior is finished with white heat fused powder paint, electrostatically applied on a pre-treated base.

**CSA Certified / UL Listed**  
**NEMA/EEMAC 12-13 / IP55**  
**NEMA/EEMAC 4X / IP66 §**

**Refer to p.734 to validate choice of substrate for the application**



CATALOG NUMBER	DIMENSIONS					SHIP WGHT LBS.
	A	B	C	D	E	
§ 1412 CSS080807	8	8	7.281	5.375	7.437	8
§ 1412 CSS081207	8	12	7.281	5.375	7.437	10
§ 1412 CSS081607	8	16	7.281	5.375	7.437	13
1412 CSS082007	8	20	7.281	5.375	7.437	16
§ 1412 CSS121209	12	12	9.562	7.687	10.718	15
§ 1412 CSS121609	12	16	9.562	7.687	10.718	18
1412 CSS122009	12	20	9.562	7.687	10.718	22
1412 CSS122409	12	24	9.562	7.687	10.718	26
1412 CSS161611*	16	16	11.875	9.968	14.000	22
1412 CSS162011*	16	20	11.875	9.968	14.000	27
1412 CSS162411*	16	24	11.875	9.968	14.000	32
1412 CSS163011*	16	30	11.875	9.968	14.000	39
1412 CSS163611*	16	36	11.875	9.968	14.000	45
1412 CSS202013*	20	20	14.187	12.250	17.250	36
1412 CSS202413*	20	24	14.187	12.250	17.250	42
1412 CSS203013*	20	30	14.187	12.250	17.250	49

‡ For painted stainless steel, add suffix 'P' to the catalog number (ie. 1412 CSS...P).

\*Enclosures with a height of 16 inches and more are supplied with two gas springs and two door stiffeners.



**CUSTOMIZE THIS**  
**ENCLOSURE WITH BOXCAD**  
**SIZE - COLOR - CUT-OUTS**

