

# S67



## ACCURATE AND PRECISE LASER DISTANCE SENSOR WITH SUBMILLIMETRIC RESOLUTION

- Sturdy metal Die-cast zinc IP67 housing.
- Resolution of 10um@50mm. distance on white 90% remission.
- Response time less than 0,9ms (short range models)
- Linearity error of +/-0,03mm@50mm range.
- Analog Voltage models with 0V-10V protected output.
- Analog Current models with 4-20mA protected output.
- Soiling indicator and Alarm Output.
- Robust light interference suppression.

### APPLICATIONS

- Automotive Industries
- Textile and Paper Industries
- Wood Industries
- General Packaging Industries
- Metal tooling
- Assembly lines
- Mechanical engineering and Special machinery



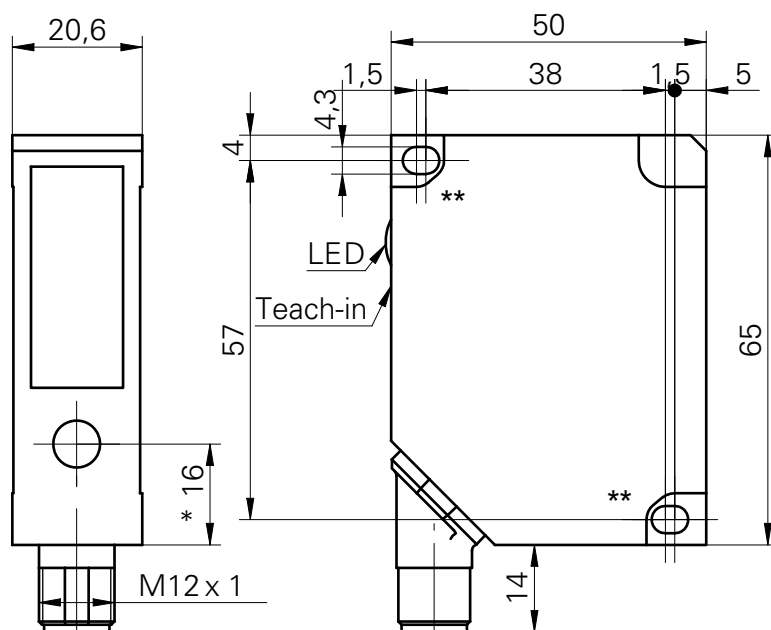
### S67

<b>Distance sensor (90% White target)</b>		50...300 mm (Y03) 100...600 mm (Y13)
<b>Linearity error:</b>		±0.03...±1.0 mm (Y03) ±0.05...±2.0 mm (Y13)
<b>Resolution:</b>		0.01...0.33 mm (Y03) 0.015...0.67 mm (Y13)
<b>Laser class emission:</b>		RED Laser Diode CLASS 2 According to IEC 60825-1 (2014)
<b>Response time:</b>		< 900 µs long range
<b>Setting</b>		Red LED Alarm/Soiled lens indicator
		Green LED Power indicator
		Push Button Teach in
<b>Power supply:</b>	Vdc	12 -28 VDC +/- 10%
	PNP	-
	NPN	-
	Push pull	-
	other	Analog output: 4...20 mA (-I) 0...10 V (-V)
<b>Connection</b>	connector	Rotatable M12 5poles
<b>Approximate dimensions (mm)</b>		Rectangular 20,6mm x 65mm x 50mm
<b>Housing material</b>		die-cast zinc
<b>Mechanical protection</b>		IP67

# TECHNICAL DATA

<b>Power supply</b>	12 –28 VDC +/- 10%
<b>Consumption (output current excluded)</b>	100 mA
<b>Light emission</b>	650 nm Pulsed RED Laser Diode CLASS 2 According to IEC 60825-1 (2014) Complies with 21 CFR 1040.10 and 1040.11
<b>Laser Spot</b>	2 mm Point
<b>Setting</b>	Push Button Teach in
<b>Operating Distance (90% White target)</b>	50...300 mm (Y03) 100...600 mm (Y13)
<b>Linearity error (90% White target)</b>	±0.03...±1.0 mm (Y03) ±0.05...±2.0 mm (Y13)
<b>Resolution (90% White target)</b>	0.01...0.33 mm (Y03) 0.015...0.67 mm (Y13)
<b>Teach-in Range min.</b>	>5mm (Y03) >10mm (Y13)
<b>Indicators</b>	Red LED Alarm/Soiled lens indicator Green LED Power indicator Push Button Teach in
<b>Analog output</b>	Analog Current Output : load resistance (analog I) < (+Vs - 6 V) / 0,02 (-I) Analog Voltage Output : load resistance > 100 kOhm (-V)
<b>Response time</b>	< 900 µs long range
<b>Connection</b>	Rotatable M12 5poles
<b>Dielectric strength</b>	500 Vac, 1 min between electronics and housing
<b>Insulating resistance</b>	>20 MΩ, 500 Vdc between electronics and housing
<b>Mechanical protection</b>	IP67
<b>Ambient light rejection</b>	< 8k Lux (Y03) < 10k Lux (Y13)
<b>Vibrations</b>	0,5 mm amplitude, 10 ... 55 Hz frequency, for every axis (EN60068-2-6)
<b>Shock resistance</b>	11 ms (30 G) 6 shock for every axis (EN60068-2-27)
<b>Housing material</b>	die-cast zinc
<b>Lens material</b>	Glass
<b>Typ. Temperature Drift</b>	± 0.03% of Full Scale Measuring Range / °C
<b>Operating temperature</b>	0...50°C
<b>Storage temperature</b>	-25 ... 70 °C
<b>Tightening torque</b>	1.0 Nm
<b>Weight</b>	180g. max.

## DIMENSIONS



\* emitter axis

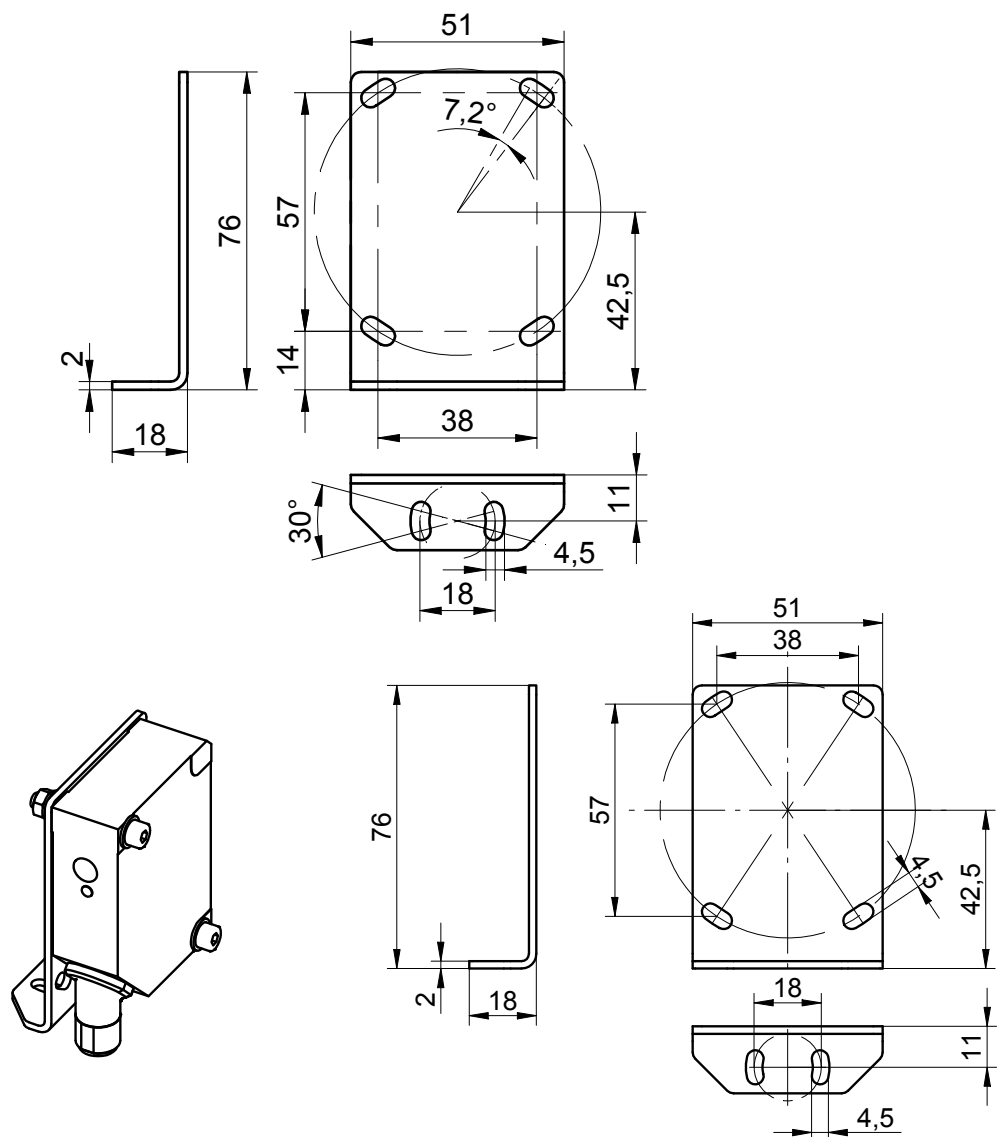
\*\*Apply tighten torque...<1.0 Nm

# MODEL SELECTION AND ORDER INFORMATION

OPTIC FUNCTION	OPERATING DISTANCE	CONNECTION	OUTPUT & INPUT	MODELS	ORDER No.
Long range Laser Distance Sensor	100...600 mm	M12 5-poles connector	Analog output: 0...10 V (-V)	S67-MH-5-Y13-V	956271030
			Analog output: 4...20 mA (-I)	S67-MH-5-Y13-I	956271010
Short range Laser Distance Sensor	50...300 mm	M12 5-poles connector	Analog output: 0...10 V (-V)	S67-MH-5-Y03-V	956271020
			Analog output: 4...20 mA (-I)	S67-MH-5-Y03-I	956271000

## ACCESSORIES

S67Y mounting kit



MODEL	DESCRIPTION	ORDER No.
ST-S67Y	S67Y mounting kit	95ACC8160