

# SRX3



## HIGH PERFORMANCE ULTRASONIC FORK SENSORS FOR TRANSPARENT LABEL DETECTION

- Dynamic or static teach models
- Slot size 3mm
- High resolution up to 2 mm label gap
- M8 connector with PNP or NPN output
- M12 connector with PNP/NPN output and external teach-in
- Rugged and sturdy aluminium housing



### APPLICATIONS

- Detection of transparent, opaque, or metallic ink labels
- Double sheet detection
- Adhesive surface detection

SRX3		
<b>Slot width</b>		3 mm
<b>Slot depth</b>		68 mm
<b>Switching frequency</b>		500 hz
<b>Emission type</b>		Ultrasonic 300 Khz
<b>Setting</b>		300 mm
<b>Power supply</b>	Vdc	12...30 Vdc ●
<b>Output</b>	PNP	●
	NPN	●
<b>Connection</b>	Connector	M12 5-pin
	Connector	M8 4-pin
<b>Approximate dimensions (mm)</b>		90 x 55 x 22
<b>Housing material</b>		Aluminium
<b>Mechanical protection</b>		IP54

# TECHNICAL DATA

## SPECIFICATION

<b>Minimum pulse time</b>	1ms
<b>Detectable size</b>	> 2mm
<b>Max. tape speed</b>	60m/min
<b>Tape size</b>	> 16mm
<b>Ultrasonic frequency</b>	300 KHz

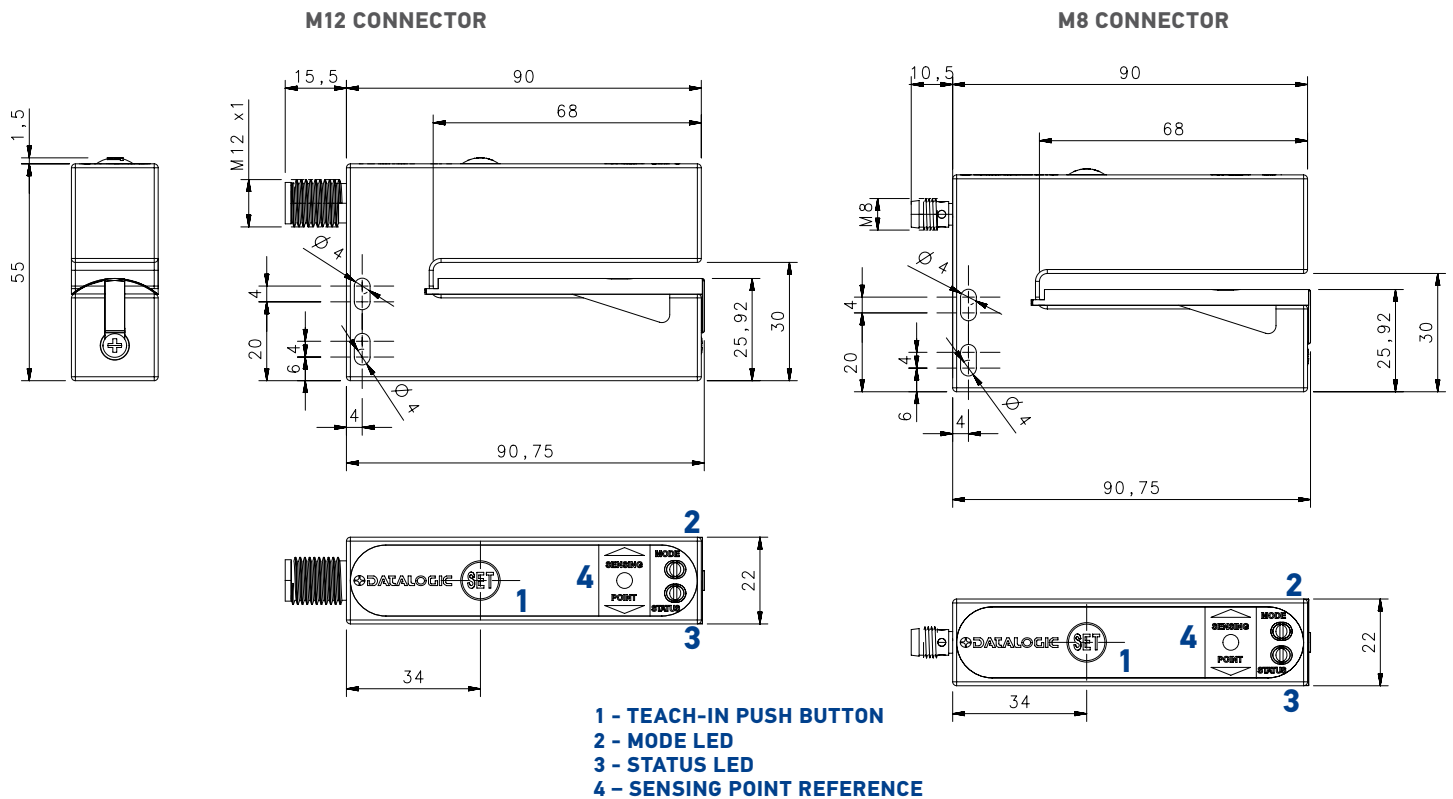
## ELECTRICAL DATA

<b>Power supply</b>	12...30 Vdc
<b>Current consumption</b>	< 55mA
<b>Ripple</b>	10%
<b>Output current</b>	250 mA max.
<b>Output saturation voltage</b>	< 1,5V @ 100mA
<b>Rising time</b>	0,8 us max
<b>Falling time</b>	1,6 us max
<b>Power On delay</b>	325 ms
<b>Response time</b>	1ms
<b>Switching frequency</b>	500 hz
<b>Output</b>	PNP / NPN

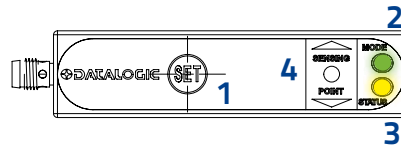
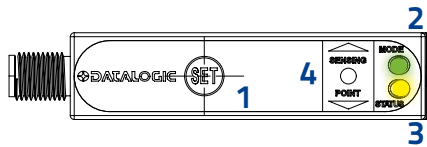
## MECHANICAL DATA

<b>Connection</b>	M12 5 pin
<b>Operating temperature</b>	0 °C ... +50 °C
<b>Storage temperature</b>	-25 °C ... +75 °C
<b>Humidity</b>	35...85% rH non condensing
<b>Vibration</b>	0.5 mm amplitude, 10 ... 55 Hz frequency, for every axis (EN60068-2-6)
<b>Shock resistance</b>	11 ms (30 G) 6 shock for every axis (EN60068-2-27)
<b>Housing material</b>	Aluminium
<b>Protection class</b>	IP54
<b>Weight</b>	300g

# DIMENSIONS



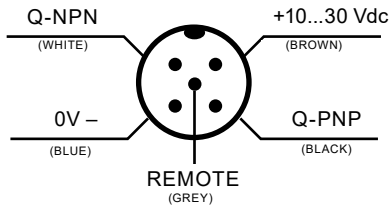
# INDICATORS AND SETTINGS



- 1 - TEACH-IN PUSH BUTTON
- 2 - MODE LED
- 3 - STATUS LED (OUTPUT LED)
- 4 - SENSING POINT REFERENCE

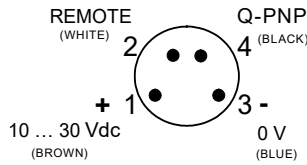
# CONNECTIONS

## M12 CONNECTOR – 5 PIN

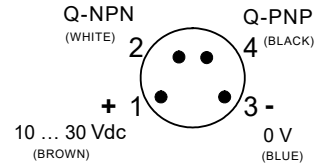


- BROWN 1 +10...30 Vdc
- WHITE 2 Q-NPN
- BLACK 4 Q-PNP
- BLUE 3 - 0 V
- GREY 5 TEACH-IN

## M8 CONNECTOR – 8 PIN



- BROWN 1 +10...30 Vdc
- WHITE 2 REMOTE
- BLACK 4 Q-PNP
- BLUE 3 - 0 V



- BROWN 1 +10...30 Vdc
- WHITE 2 Q-NPN
- BLACK 4 Q-PNP
- BLUE 3 - 0 V

# MODEL SELECTION AND ORDER INFORMATION

ADJUSTMENT	OUTPUT	CONNECTION	MODEL	ORDER No.
Dynamic Teach-in	PNP/NPN +EXT	M12 5 pin	SRX3-5-US-M12-PNH	953171000
Static Teach-in	PNP/NPN +EXT	M12 5 pin	SRX3-5-US-3-M12-PNH	953171010
Dynamic Teach-in	PNP+EXT	M8 4 pin	SRX3-6-US-M8-PH	953171020
Static Teach-in	PNP+EXT	M8 4 pin	SRX3-6-US-3-M8-PH	953171030
Dynamic Teach-in	PNP/NPN	M8 4 pin	SRX3-6-US-M8-PN	953171040
Static Teach-in	PNP/NPN	M8 4 pin	SRX3-6-US-3-M8-PN	953171050