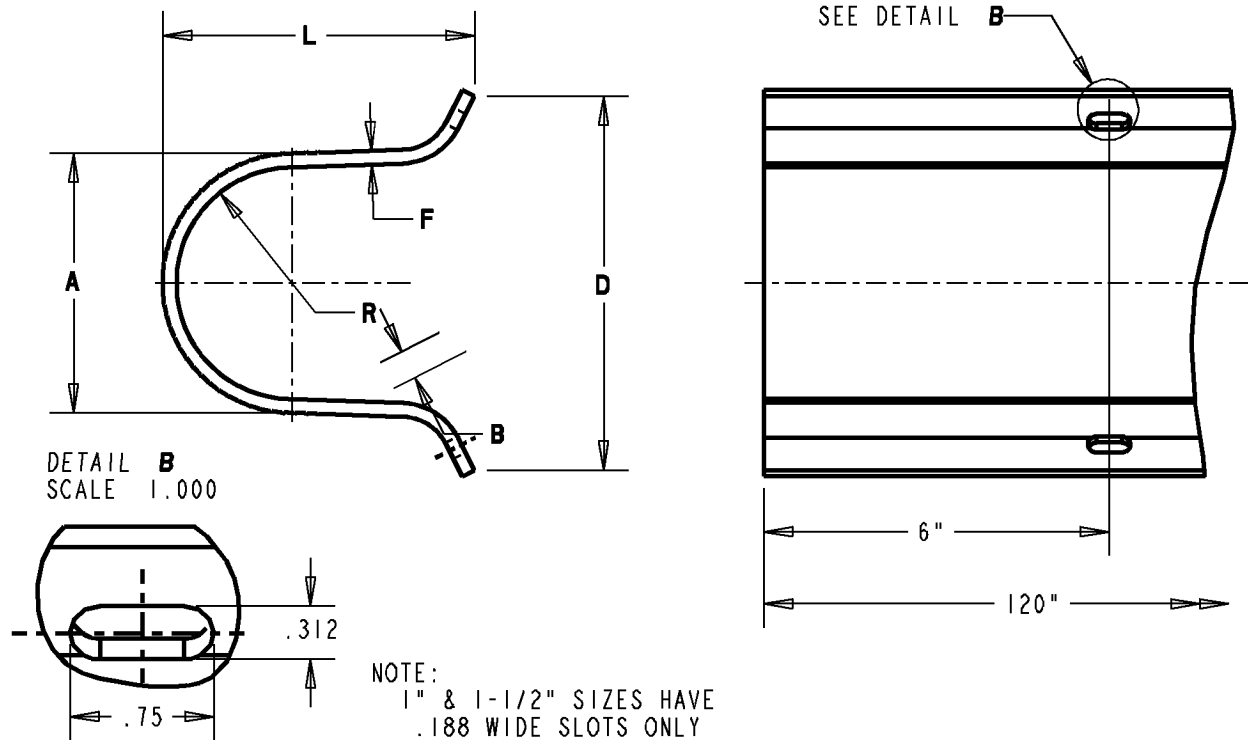


Carlton®



P.V. MOLD - HEAVY WALL - SCH 40

PART NO.	SIZE	A	B	D	F	L	R
59010N	1-1/2"	1.9 [48]	.4 [10]	3.5 [89]	.15 [3.8]	2.1 [53]	.81 [20.6]
59011N	2"	2.4 [61]	.5 [13]	4.5 [114]	.15 [3.8]	2.8 [71]	1.03 [26.2]
59013N	3"	3.5 [89]	.5 [13]	6.0 [152]	.22 [5.6]	4.2 [107]	1.53 [38.9]
59015N	4"	4.5 [114]	.5 [13]	6.5 [165]	.24 [6.1]	5.4 [137]	2.01 [51.1]
59016N	5"	5.5 [140]	.5 [13]	7.5 [191]	.26 [6.6]	6.8 [173]	2.49 [63.2]
59017N	6"	6.6	.5 [13]	8.8 [224]	.28 [7.1]	8.4 [213]	3.03 [77.0]

P.V. MOLD - THIN WALL - STANDARD DUTY

PART NO.	SIZE	A	B	D	F	L	R
59208N	1"	1.3	.4 [10]	2.9 [74]	.10 [2.5]	1.5 [38]	.56 [14.2]
59211N	2"	2.4 [61]	.5 [13]	4.5 [114]	.10 [2.5]	2.8 [71]	1.09 [27.7]
59213N	3"	3.5 [89]	.5 [13]	6.0 [152]	.15 [3.8]	4.2 [107]	1.60 [40.6]
59215N	4"	4.5 [114]	.5 [13]	6.5 [165]	.15 [3.8]	5.4 [137]	2.10 [53.3]
59216N	5"	5.5 [140]	.5 [13]	7.5 [191]	.15 [3.8]	6.8 [173]	2.60 [66.0]

GENERAL NOTES

- ALL DIMENSIONS ARE FOR REFERENCE ONLY.
- DIMENSIONS IN BRACKETS [] ARE IN METRIC UNITS.

REVISIONS

*** SEE ERN (****) FOR APPROVAL SIGNATURES & RELEASE DATE.
PROJECT NO: ****

Thomas & Betts
www.tnb.com

DESCRIPTION: PV MOLD - POLE RISERS

ORIGINAL PROJECT NO / (ERN NO)	SHEET NO:	REV. NO:	DRAWING NO:
/ ()	1 OF 1	B	WSD-AC04614