

# Day-Brite CFI

by Signify

## Recessed

Arioso LED 2x4

Ribbed acrylic lens, 3800, 4300, 4900, or 7400 lumens



Project: \_\_\_\_\_  
 Location: \_\_\_\_\_  
 Cat.No: \_\_\_\_\_  
 Type: \_\_\_\_\_  
 Lamps: \_\_\_\_\_ Qty: \_\_\_\_\_  
 Notes: \_\_\_\_\_

The Day-Brite / CFI Arioso recessed LED with ribbed acrylic lens offers standard-setting efficiency without aesthetic compromise. These LED luminaires combine state-of-the-art, flexible and globally-recognized LED lighting platforms with proven Arioso optical combinations.

### Ordering guide

Example: 2AVEG38L835-4-ACR-UNV-DIM

Width	Family	Ceiling Type	Lumen Package	Color	Length	Shielding	Voltage	Driver	Options																																		
2	AVE	G		—	4	ACR	—	—																																			
2	2'	AVE	Arioso recessed LED	G	15/16" T-Grid or 9/16" Slot Grid	38L	3800 nominal lumens	43L	4300 nominal lumens	49L	4900 nominal lumens	74L	7400 nominal lumens	835	80 CRI, 3500K	840	80 CRI, 4000K	4	4'	ACR	100% frosted ribbed acrylic lens	UNV	Universal voltage, 120-277V	347	347V	DIM	0-10V dimming Step dimming to 40% input power (not available for 74L lumen package)	SDIM		F1	3/8" flex, 3 wire 18 gauge 6'	F2	3/8" flex, 4 wire 18 gauge 6'	F1/D	3/8" Twin Flex, 3 Wire 18 gauge 6' for dimmable luminaires	F2/SW	3/8" Single Flex, 5 Wire 18 gauge 6' for dimmable luminaires	GLR	Fusing, Fast Blow	EMLED	Integral emergency battery pack, 1100lm nominal (ballast enclosure on top of luminaire)	DSC	Quick driver disconnect

### Accessories (order separately)

- AVHD – Hold down clips
- FMA24 – 2'x4' "F" mounting frame for NEMA "F" mounting
- 1AVE/2AVE-ACR – replacement lens
- Electrical wiring options – Consult factory



# 2AVE Arioso recessed LED ribbed acrylic 2x4

3800, 4300, 4900, or 7400 lumens

## Features

- 100% frosted ribbed acrylic lens provides soft, balanced, direct and reflected light.
- Seamless welded form – curved top and side reflectors formed together without any gaps or visual barriers.
- High performance LED technology capable of delivering up to 7400 lm at 74.9W.
- Multiple lumen outputs available to balance energy savings with lighting application needs.
- Ideal for indoor general area lighting – offices, schools, retail and health care applications.
- High lumen package version available for retail applications (7400 lm at 75W) - provides similar light output to a 3-32W T8 luminaire and 12% energy savings.
- 80+ CRI and excellent color consistency.
- High efficiency LEDs have a minimum 50,000 hour rated life (L70).
- Predicted L70 lifetime based on LED manufacturer’s supplied LM-80 data and in-situ laboratory testing.
- Dimming option available.

## Construction/Finish

- 20 gauge steel housing assembly.
- 95% reflectance baked white acrylic matte paint finish.

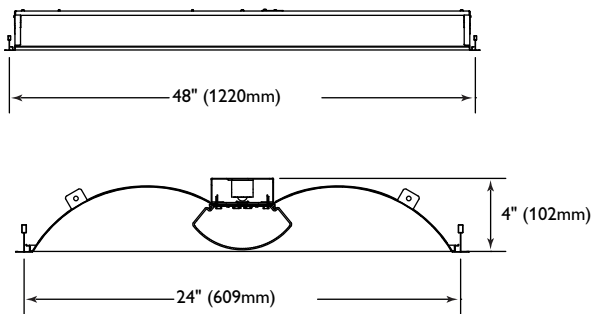
## Electrical

- LED boards and drivers are RoHS (Restriction of Hazardous Substances) compliant. For dimming options, consult factory. LED array and driver accessible from below.
- cCSAus listed.

## Enclosure

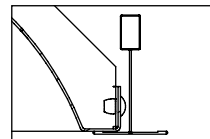
- High performance contoured lens conceals lamp image providing balance between reflected and direct light.

## Dimensions

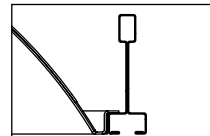


\* EMLED is 1-3/4" (45mm) deeper.

Ceiling compatibility for G type luminaire



Suited to standard exposed 15/16" T-grid ceilings



Suited to standard exposed Slot T-grid ceilings

## Photometry

### Arioso Recessed LED Ribbed Acrylic 2x4, 3800 nominal lumens

LER – 97

<b>Catalog No.</b> 2AVEG38L840-4-ACR <b>Test No.</b> 31664 <b>S/MH</b> 1.3 <b>Lamp Type</b> LED <b>Lumens/Lamp</b> 3920 <b>Input Watts</b> 40.3  Comparative yearly lighting energy cost per 1000 lumens – <b>\$2.47</b> based on 3000 hrs. and \$.08 pwr KWH.	<b>Candlepower</b>				<b>Light Distribution</b>			
	<b>Angle</b> 0 5 10 15 20 25 30 35 40 45 50 55 60 65 70 75 80 85	<b>End</b> 1345 1341 1320 1284 1234 1169 1092 1001 901 796 683 573 466 364 272 195 124 60	<b>45</b> 1345 1354 1338 1307 1261 1209 1145 1068 986 903 799 699 604 507 416 332 246 136	<b>Cross</b> 1345 1310 1298 1268 1233 1185 1127 1064 992 912 830 743 657 569 483 398 289 121	<b>Degrees</b> 0-30 0-40 0-60 0-90	<b>Lumens</b> 1044 1702 2983 3915	<b>% Luminaire</b> 26.67 43.46 76.19 100.00	
<b>Coefficients of Utilization</b>								
<b>EFFECTIVE FLOOR CAVITY REFLECTANCE 20 PER (pfc=0.20)</b>								
pcc	80			70			50	
pw	70	50	30	70	50	30	50	30
RCR								
0	.119	.119	.119	.116	.116	.116	.111	.111
1	1.09	1.04	1.00	1.06	1.02	.98	.97	.94
2	.99	.92	.85	.97	.90	.83	.86	.81
3	.91	.81	.73	.88	.79	.72	.76	.70
4	.84	.72	.64	.82	.71	.63	.68	.61
5	.77	.65	.56	.75	.63	.55	.61	.54
6	.71	.58	.49	.69	.57	.48	.55	.48
7	.65	.52	.43	.64	.51	.43	.49	.42
8	.61	.47	.39	.59	.46	.38	.45	.38
9	.56	.43	.35	.55	.42	.34	.41	.34
10	.52	.39	.31	.51	.38	.31	.37	.30

# 2AVE Arioso recessed LED ribbed acrylic 2x4

3800, 4300, 4900, or 7400 lumens

## Arioso Recessed LED Ribbed Acrylic 2x4, 7400 nominal lumens

## LER – 99

<b>Catalog No.</b>	2AVEG74L840-4-ACR	<b>Candlepower</b>				<b>Light Distribution</b>							
<b>Test No.</b>	31667	<b>Angle</b>	<b>End</b>	<b>45</b>	<b>Cross</b>	<b>Degrees</b>	<b>Lumens</b>	<b>% Luminaire</b>					
<b>S/MH</b>	1.3	0	2560	2560	2560	0-30	1986	26.87					
<b>Lamp Type</b>	LED	5	2563	2587	2468	0-40	3234	43.76					
<b>Lumens/Lamp</b>	7400	10	2523	2556	2446	0-60	5659	76.56					
<b>Input Watts</b>	74.9	15	2453	2495	2390	0-90	7392	100.00					
		20	2355	2406	2325								
		25	2229	2306	2236								
		30	2078	2180	2130								
		35	1902	2034	2013								
		40	1711	1875	1879								
		45	1504	1698	1728								
		50	1291	1512	1573								
		55	1081	1322	1409								
		60	876	1137	1245								
		65	686	956	1077								
		70	512	783	914								
		75	357	626	745								
		80	220	460	492								
		85	105	220	180								
Comparative yearly lighting energy cost per 1000 lumens – \$2.42 based on 3000 hrs. and \$.08 pwr KWH.						<b>Coefficients of Utilization</b>							
						<b>EFFECTIVE FLOOR CAVITY REFLECTANCE 20 PER (pfc=0.20)</b>							
						pcc			70			50	
						pw			70			50	
						RCR			70			50	
						0			1.19			1.19	
						1			1.09			1.04	
						2			1.00			.92	
						3			.91			.81	
						4			.84			.72	
						5			.77			.65	
						6			.71			.58	
						7			.65			.52	
						8			.61			.47	
						9			.56			.43	
						10			.52			.39	

Catalog Number	Delivered Lumens	Input Watts	Efficacy lm/W	8'x8' avg fc	8'x8' W/sq ft	8'x10' avg fc	8'x10' W/sq ft
2AVEG38L840-4-ACR	3920	40.3	97	61.2	0.63	48.9	0.50
2AVEG43L840-4-ACR	4293	39.2	110	67.0	0.61	53.6	0.49
2AVEG49L840-4-ACR	4854	44.1	110	75.8	0.69	60.6	0.55
2AVEG74L840-4-ACR	7400	74.9	99	115.5	1.17	92.4	0.94

