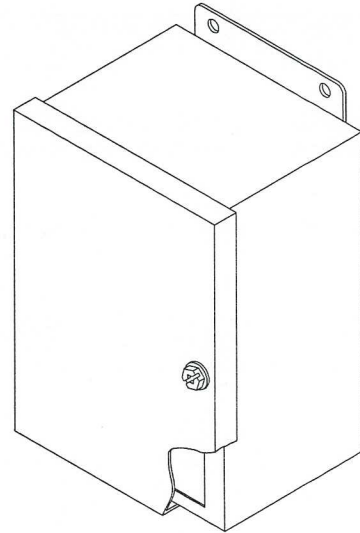
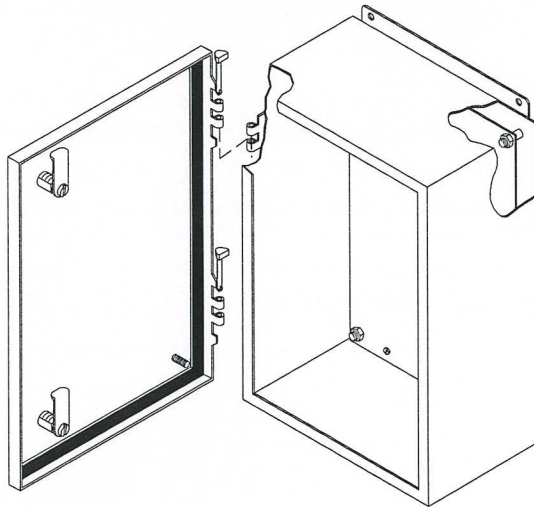




## S Series

## EEMAC / NEMA 4-4x-12 / IP-65 Hinged Lift-Off Cover Enclosures



### TECHNICAL READOUT

Catalog No.	Dimensions			Panel		Weight lbs
	A	B	C	E	F	
S040403*	4	4	3	no panel		2
S040404*	4	4	4	no panel		3.5
S060403*	6	4	3	4.875 x 2.875		3
S060404*	6	4	4	4.875 x 2.875		4
S060604	6	6	4	4.875 x 4.875		5
S080604	8	6	4	6.875 x 4.875		7
S080804	8	8	4	6.875 x 6.875		8
S100804	10	8	4	8.875 x 6.875		10
S121005	12	10	5	10.875 x 8.875		15
S100806	10	8	6	8.875 x 6.875		11
S101006	10	10	6	8.875 x 8.875		14
S121206	12	12	6	10.875 x 10.875		18
S141206	14	12	6	12.875 x 10.875		21
S161406	16	14	6	14.875 x 12.875		26
S121008	12	10	8	10.875 x 8.875		18
S141208	14	12	8	12.875 x 10.875		22
S161408	16	14	8	14.875 x 12.875		24
S161410	16	14	10	14.875 x 12.875		28

\* CAPTIVE SCREW

### Application:

Type 4-4x-12 / IP-65 enclosure designed for INDOOR/OUTDOOR housing of electrical, pneumatic or hydraulic instruments.

### Construction:

- 16 gauge steel
- Slip hinges enabling cover removal for easier access and mounting
- Continuously welded and ground smooth seams
- 14 gauge galvanized steel panel natural finish (unpainted)
- 1/4 turn latch
- Grounding screw on mounting panel
- Grounding stud welded on inner cover surface
- ANSI/ASA61 grey polyester textured powder coating inside out

### Also Available:

- Aluminium, SS, galvanized steel
- Cutouts, louvers, additional knockouts
- Tamper proof screw
- Special finishes & sizes

### Standards:

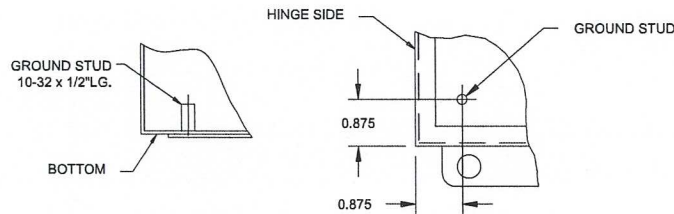
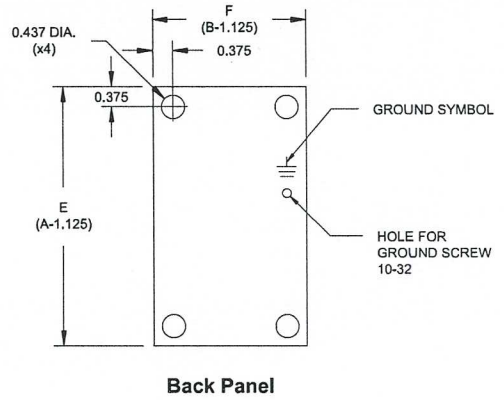
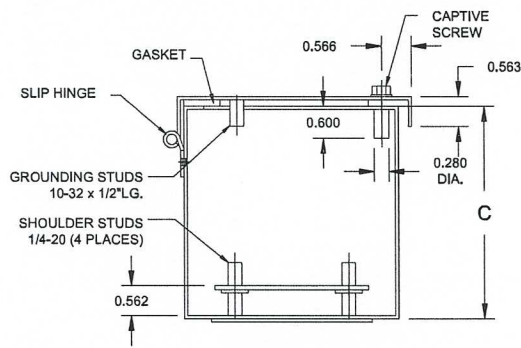
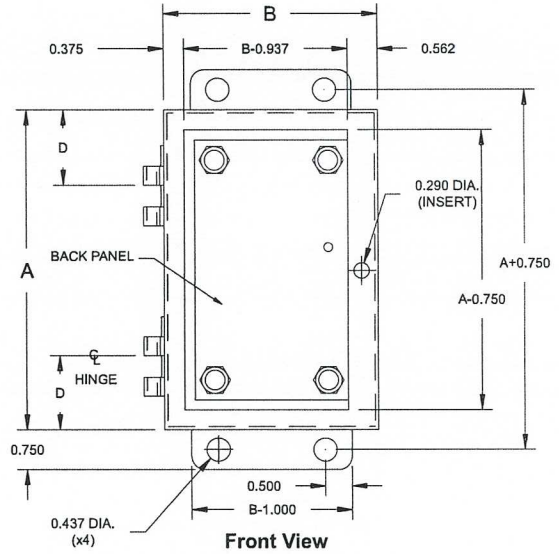
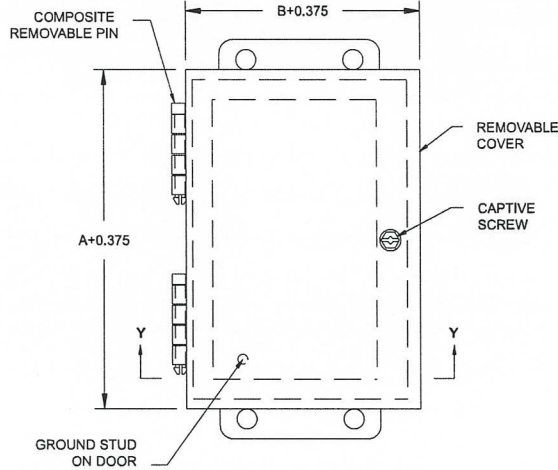
- CSA certified 150359
- UL listed E109310
- CE





# S Series

## EEMAC / NEMA 4-4x-12 / IP-65 Hinged Lift-Off Cover Enclosures



NO MOUNTING PANEL FOR  
 S040403 & S040404  
 GROUNDING STUD ONLY

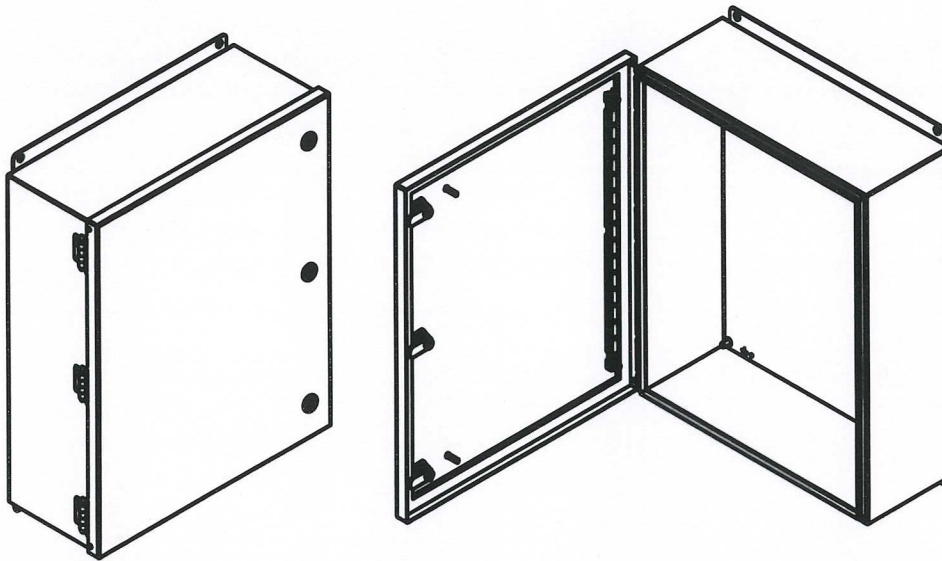




## S Series

# EEMAC / NEMA 4-4x-12 / IP65 Hinged Lift-Off Cover Enclosures

### LARGE MODEL



#### TECHNICAL READOUT

Catalog No.	Dimensions			Panel		Weight lbs
	A	B	C	E	F	
S201206	20	12	6	18.875	x 10.875	21
S201606	20	16	6	18.875	x 14.875	26
S241206	24	12	6	22.875	x 10.875	24
S241606	24	16	6	22.875	x 14.875	30
S242006	24	20	6	22.875	x 18.875	36
S201208	20	12	8	18.875	x 10.875	23
S201608	20	16	8	18.875	x 14.875	28
S241208	24	12	8	22.875	x 10.875	26
S241608	24	16	8	22.875	x 14.875	33
S242008	24	20	8	22.875	x 18.875	39
S201210	20	12	10	18.875	x 10.875	25
S201610	20	16	10	18.875	x 14.875	31
S241210	24	12	10	22.875	x 10.875	29
S241610	24	16	10	22.875	x 14.875	35
S242010	24	20	10	22.875	x 18.875	42

#### Application:

Type 4-4x-12 / IP-65 enclosure designed for INDOOR/OUTDOOR housing of electrical, pneumatic or hydraulic instruments.

#### Construction:

- 16 gauge steel
- Slip hinges enabling cover removal for easier access and mounting
- Continuously welded and ground smooth seams
- 1/4 turn latch
- 14 gauge galvanized steel panel natural finish (unpainted)
- Grounding screw on mounting panel
- Grounding stud welded on inner cover surface
- ANSI/ASA61 grey polyester textured powder coating inside out
- 4 studs 10-32 UNC x 3/4" inside door installed for mounting rail (one supplied)

#### Also Available:

- Aluminium, SS, galvanized steel
- Cutouts, hubs
- Special finishes & sizes

#### Standards:

- CSA certified 150359
- UL listed E109310
- CE

