

Catalog Number
Notes
Type

FEATURES & SPECIFICATIONS

INTENDED USE — The Lithonia Lighting JCBL LED Highbay is the affordable LED solution for users who prefer a luminaire with the look and feel of a round form factor. The JCBL is highly configurable and delivers comfortable and uniform lighting from mounting heights up to 30ft. Gymsnasiums, warehouses, packaging facilities and other industrial applications all benefit from JCBL's highly efficient design that saves over traditional sources. **Certain airborne contaminants can diminish the integrity of acrylic and/or polycarbonate.** [Click here for Acrylic-Polycarbonate Compatibility table for suitable uses.](#)

CONSTRUCTION — JCBL features an aluminum heat sink to maximize heat dissipation and extend the life of the luminaire by maximizing contact with the LEDs. A glass optical enclosure (IP65 rated) protects the LEDs from dust and other air contaminants. Reflector options including aluminum, prismatic acrylic and polycarbonate ship together and easily mount to the heatsink for quick installation.

OPTICS — Reflector and lens options provide maximum versatility and uniformity. Conical, flat or acrylic drop lenses offer enhanced aesthetics, minimize glare at lower mounting heights when paired with acrylic reflectors.

ELECTRICAL — Utilizes 90°C case temperature for maximum life at high temperatures. Less than 20% THD and PF >90. Standard 6kV/3kA(120-277), 10kV/5kA(347/480) surge protection, tested in accordance to IEEE/ANSI standards. Input voltages include 120-277, 347/480 without the use of a step down transformer. 0-10V dimming standard for a dimming range of 100% to 10%. Suitable for 50/60Hz.

WIRELESS NETWORKING — XPoint™ Wireless technology creates a mesh network to ensure communication between fixtures, sensors and wall stations facility-wide. This option provides superior lighting management capabilities including granular control, configuration and custom grouping for increased energy savings.

Integrated Sensor (nLight Wired Networking): This sensor is nLight-enabled, meaning it has the ability to communicate over an nLight network. When wired, using CAT-5 cabling, with other nLight-enabled sensors, power packs, or WallPods, an nLight control zone is created. Once linked to a Gateway, directly or via a Bridge, the zone becomes capable of remote status monitoring and control via SensorView software.

Integrated Smart Sensor (nLight AIR Wireless Platform): The rES7 sensor is nLight AIR enabled, meaning it has the ability to communicate over the wireless nLight control platform. It is available with an automatic dimming photocell, and either a digital PIR or dual technology occupancy sensor. It pairs to other luminaires and wall switches through our mobile app, CLAIRITY PRO, which allows for simple sensor adjustment.

INSTALLATION — Mounting options include steel hook & cord or 3/4" NPT threaded hub to accommodate stem or cast hook options.

LISTINGS — UL1598/C SA C22 .2 250, Damp location listed. Suitable for use in ambient temperatures from -40°C up to 55°C.

DesignLights Consortium® (DLC) qualified product. Not all versions of this product may be DLC qualified. Please check the DLC Qualified Products List at www.designlights.org/QPL to confirm which versions are qualified.

WARRANTY — 5-year limited warranty. Complete warranty terms located at: www.acuitybrands.com/CustomerResources/Terms_and_conditions.aspx

Note: Actual performance may differ as a result of end-user environment and application.

All values are design or typical values, measured under laboratory conditions at 25 °C.

Specifications subject to change without notice.



LED Damp Rated High Bay

JCBL

9000, 12000, 15000, 18000,
24000, 30000 or 36000 lumens



A+ Capable Luminaire

This item is an A+ capable luminaire, which has been designed and tested to provide consistent color appearance and out-of-the-box control compatibility with simple commissioning.

- All configurations of this luminaire meet the Acuity Brands' specification for chromatic consistency
- This luminaire is part of an A+ Certified solution for nLight® or XPoint™ Wireless control networks marked by a **shaded background***

To learn more about A+, visit www.acuitybrands.com/aplus.

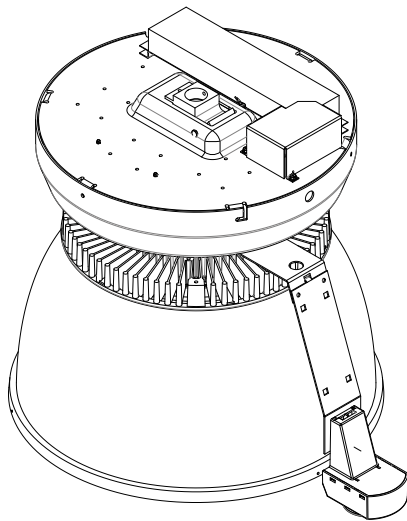
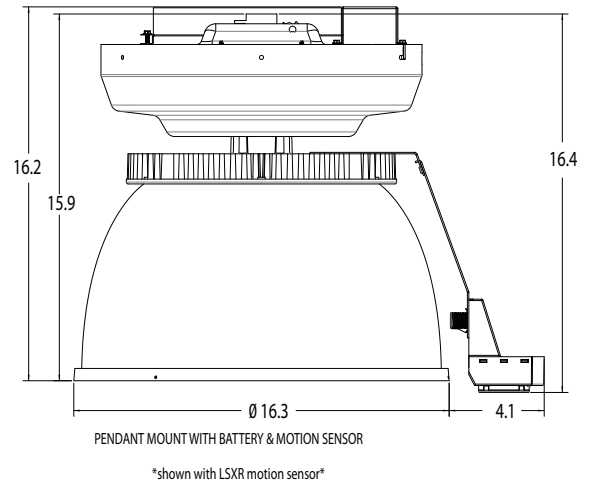
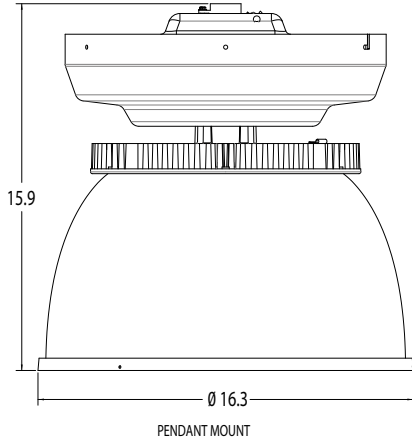
*See ordering tree for details

DIMENSIONS

All dimensions are in inches (centimeters) unless otherwise indicated.
Dimensions may vary with options or accessories.

Typical weight:

A cartoned luminaire weighs 23 lbs.;
unboxed it weighs 16 lbs.



*shown with optional cast hook

JCBL LED Damp Rated High Bay



A+ Capable options indicated by this color background.

ORDERING INFORMATION

Lead times will vary depending on options selected. Consult with your sales representative. **Example:** JCBL 24000LM DALR MVOLT GZ10 40K 80CRI SC6 DWHXD

JCBL							GZ10									
Series	Lumens		Reflector ¹		Lens ^{1,2}		Voltage		Driver		Color temperature		Color rendering index		Mounting Configurations	
JCBL	9000LM	9,000 lumens	DALR	Diffuse aluminum	(blank)	Open bottom	MVOLT	120-277V	GZ10	0-10V dimming	30K	3000 K	70CRI	70 CRI	PM	Pendant mount
	12000LM	12,000 lumens	SALR	Specular aluminum	<u>For use with aluminum reflectors</u>		HVOLT	347/480V			35K	3500 K	80CRI	80 CRI	SC6	Steel hook & 6' cord
	15000LM	15,000 lumens	ACFR	Frosted acrylic	ALDRP	Drop prismatic	208	208V			40K	4000 K	90CRI	90 CRI	SC6P	6' cord with male steel hook and NEMA twist lock plug (not available with battery packs) ^{3,4}
	18000LM	18,000 lumens	ACCR	Clear acrylic	ALCON	Conical	240	240V			50K	5000 K				
	24000LM	24,000 lumens	PLCR	Clear polycarbonate	ALFGL	Flat prismatic	277	277V								
	30000LM	30,000 lumens			<u>For use with acrylic and polycarbonate reflectors</u>		347	347V							SC6PN	Steel hook with 6' straight blade cordset ^{3,5}
	36000LM	36,000 lumens			ACRDRP	Drop prismatic	480	480V								
					ACRCON	Conical										
					ACRFG	Flat prismatic										

Options												Super Durable Finishes	
C6W	6' cord, white		E10WCP	EM Self-diagnostics battery pack, 10W, Constant Power CEC compliant ^{3,7}		NPP16D	nLight [®] switching/dimming module ^{3,11}		DWHXD	White			
C6WPN	6' cord, white with straight blade plug (not available with battery packs) ^{3,5}		BGTD	Generator transfer device (120 or 277 only) ⁴		NPP16DER	nLight [®] switching/dimming module with emergency relay ^{3,11}		DNAXD	Natural aluminum			
HC6W	6' cord, white with male cast hook, no plug (only available with pendant mount)		HK455	Safety hook, male, cast aluminum, factory installed ⁸		MSI6XADL DSCXADL	360° XPoint™ wireless motion sensor with photocell ^{3,12}		DWHGXD	Textured white			
HC6WP	6' cord, white with male cast hook and NEMA twist lock plug (not available with battery packs) ^{3,4}		WG	Wire guard for open bottom reflectors (ships separately)		MSI10XADL DSCXADL	60° XPoint™ wireless motion sensor with photocell ^{3,12}		DNATXD	Textured natural aluminum			
HC6WPN	6' cord, white with male cast hook and straight blade cord (not available with battery packs) ^{3,4,5}		FWG	Full wire guard (ships separately)		NLTAIR2 RKOA	nLight AIR Generation 2 enabled 360° high mount motion sensor						
HC6WP20	6' cord, white with male cast hook and 20 amp plug (not available with battery packs) ³		LCOZU	Aisle motion sensor, pre-wired ^{3,9}		NLTAIR2 RKOB	nLight AIR Generation 2 enabled 360° low mount motion sensor						
			LCHOSZU	Aisle motion sensor, pre-wired; programmable dimming ^{3,9}		NLTAIR2 rPP20D	nLight AIR Generation 2 dimming and switching module ¹³						
CS6G16WSTOW5D	6' white cord, 16/5, no plug, includes low voltage dimming wires		LCPZU	Aisle motion sensor with photocell; pre-wired ^{3,9}		NLTAIR2 rPP20DER	nLight AIR Generation 2 dimming and switching module with emergency relay (not available with battery pack or BGTD) ¹³						
HOCS	Hook, 5' RELOC [®] OCS ^{4,5} (only available with pendant mount)		LAOZU	360° motion sensor, pre-wired ^{3,9}		XAD	Integral factory installed XPoint™ wireless 0-10V dimming relay ^{3,12}						
OCS	5' RELOC [®] OCS ^{4,6}		LAHOSZU	360° motion sensor, pre-wired; programmable dimming ^{3,9}		XAD924	Integral factory installed XPoint™ wireless, 0-10V dimming with Emergency relay ^{3,12}						
			LAPZU	360° motion sensor with photocell, pre-wired ^{3,9}		LSXBTP	360° Low Mount Occ Sensor, pre-wired; Bluetooth [®]						
			AO	Adjustable output ¹⁰		LSXBTP HL	360° Low Mount Occ Sensor w/HL Default, pre-wired; Bluetooth [®]						
						LSXBTP ADC	360° Low Mount Occ Sensor w/ADC Default, pre-wired; Bluetooth [®]						
						LSXBTP ANL	360° Low Mount Occ Sensor w/ANL Default, pre-wired; Bluetooth [®]						

Accessories: Order as separate catalog number.			
HK-455	Safety hook, male, cast aluminum	JCBLSPM12	Swivel stem kit, 12", silver finish
JCBLHKF	Hook, female	JCBLSPM24	Swivel stem kit, 24", silver finish
JCBLPH XXX	Power hook ⁴	JCBLSPM36	Swivel stem kit, 36", silver finish
JCBLSC120	Safety cable 120"	WGJCBL	Wire guard for use with open bottom reflectors
JCBLSC240	Safety cable 240"	FWGJCBL	Full wire guard
		PS1055CP	FMC Emergency battery pack, 15W, CEC compliant, for remote mount only

Notes

- To order separately add U to the end of the nomenclature. EX: DALR U
- For use in ambient temperatures up to 40°C.
- Must specify voltage.
- 120-277V utilizes a 15-amp plug, 347-480 utilizes a 20-amp plug (standard).
- Not available with 480V.
- When reloc is selected fixture bears a dry location label.
- Available 120-277 only.
- Must have PM option.
- Not available with XAD or XAD924.
- Not available with any other controls options.
- Available with 120-347V only.
- Not available with 30,000LM at 347V or 480V.
- Utilize step down transformer when ordered with 347 or 480V.
- Daylight harvesting functionality not enabled by default. Utilizes XPA CMRB6.