

30A /600VAC

wöhner



Wöhner Class CC and Midget fuseholders are compact DIN rail mountable fuseholders available in a variety of configurations and options. They offer enhanced specifications and features.



Ganging kit for 2 or 3 Pole units

Technical Specifications

Fuse Types:	Class CC & Midget
Voltage Rating:	600V (CSA/UL) 690V (IEC) 1000VDC - Solar
Ampere Rating:	30A.
LED Indication-Std:	110-600VAC/DC
LED Indication-LV:	12 - 72VAC/DC
SCCR:	Class CC - 200kA Midget - 50kA with KLK fuse
Terminal Style:	Box Connector
Wire size:	1 wire #18-#4 AWG or 2 wires #18-#6 AWG (must be stranded and same size)
Tightening Torque:	18-22 lb/in (2.0 -2.5Nm)
Flammability rating:	UL94
Approvals:	CSA C22.2 no. 39 (file 110285) UL512 (file E230163)

Features and Benefits

- Accepts all standard CC and Midget fuses
- 1000VDC version available
- Larger wire capacity
- Non-Indicating and Indicating versions available
- Easy installation and removal of fuses
- Mounts on standard 35mm DIN rail
- Smooth Cam action
- Ventilated for cooler operation
- Insensitive to DC polarity
- Optional low voltage indicator works down to 12V
- Ganging kits available to assemble 2 and 3P
- Wide range of accessories

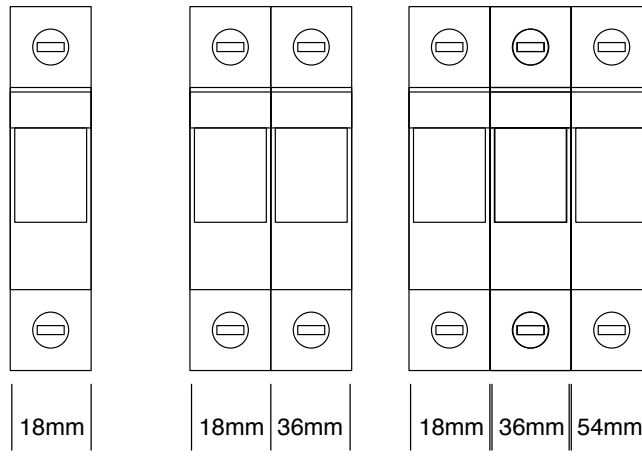
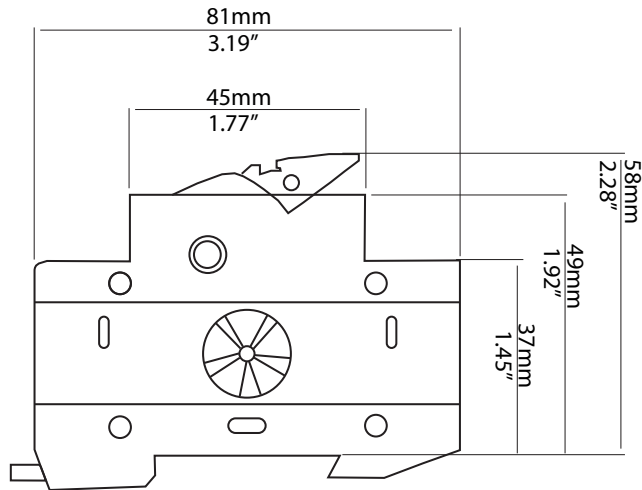
No. of Poles	Part No. for Class CC		Part No. for Midget		VAC	Accessories for both Class CC & Midget	
	Non-Ind	Indicating	Non-Ind	Indicating			
1P	31295.000	31298.000	31110.000	31130.000	600V	Neutral pole	31258.000
2P	31296.000	31299.000	31112.000	31132.000	600V	Marking labels	31939.000
3P	31297.000	31300.000	31113.000	31133.000	600V	Ganging kit for 2P	31267.000
1P	-	-	31971.000	31973.000	1000VDC	Ganging kit for 3P	31268.000
		LV Indicating		LV Indicating			
1P	-	31929.000	-	31930.000			

30A /600VAC

wöhner

Dimensions - mm/in.

Class CC & Midget



Carton Quantity	
1 Pole	12
2 Pole	6
3 Pole	4