

# Decora® Wall Switch PIR Occupancy Sensor



ODS06

- Specifically designed to meet the commercial needs of LED load requirements
- Industry exclusive High Inrush Stability (H.I.S.) circuitry for extended durability
- Industry exclusive dual PIR sensors provide optimum sensitivity and expanded occupancy detection

## BASIC OPERATION

The Leviton Decora® Wall Switch Passive Infrared (PIR) Wall Switch Occupancy Sensor (ODS06) uses PIR detection technology to monitor a room for occupancy through a segmented Fresnel lens. This specialized lens divides the field-of-view into sensor zones. When a person passes into or out of a sensor zone, the sensor detects motion and switches the lights ON. The lights will remain ON as long as there is an occupant moving through the sensor zones.

A delayed-OFF time adjustment prevents the lights from switching OFF when the space is occupied. In order to keep the lights ON, a person must pass through a sensor zone at least once during the selected delayed-OFF time interval. An LED indicator blinks each time the unit detects activity in the sensor zones. When the space being monitored by the sensor is unoccupied for the length of time chosen as the delayed-OFF interval, the sensor will turn the lights OFF.

## APPLICATIONS

The ODS06 is used to provide automatic lighting control for energy savings and convenience in a variety of commercial applications including:

- Small offices
- Conference rooms
- Lounges
- Classrooms

The ODS06 can be used for automatic switching of LED, incandescent lamps and fluorescent and low-voltage lighting with electronic or magnetic ballasts. The unit also features a manual override switch that can be used to keep lights OFF while an area is occupied, which may be desired in conference rooms and other areas during slide or film presentations. The unit installs in place of a single-pole wall switch and fits in a standard wall box. The unit requires a ground connection.



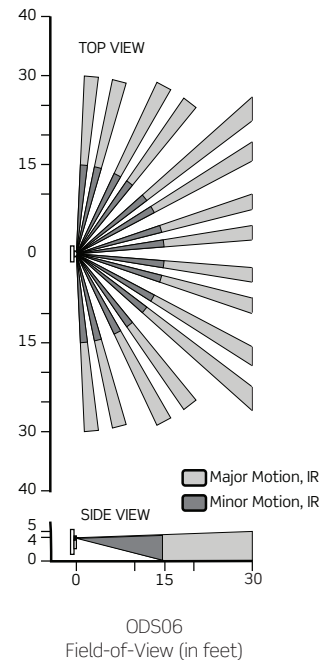
## PRODUCT DATA

### FEATURES

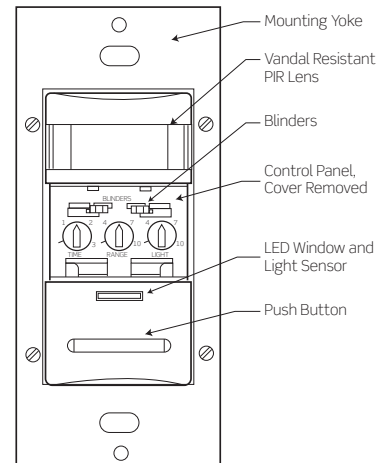
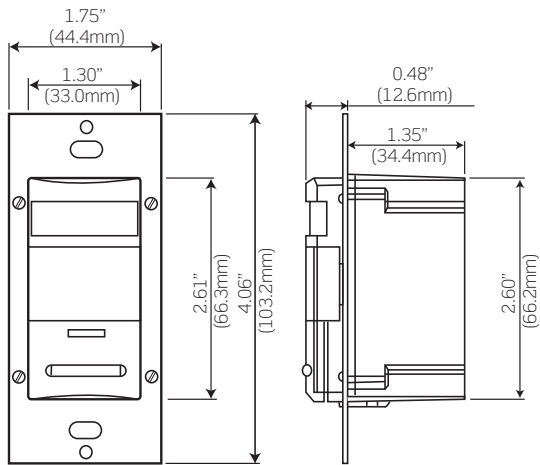
- Fits in standard wallbox and replaces single-pole wall switch. Gangable with other units.
- Low-profile design eliminates obtrusive appearance. Elegant Decora wallplates complement any interior for sleek aesthetics; uses Decora wallplates and coordinates with Leviton's popular line of Decora wiring devices.
- 180° field-of-view provides approximately 1,600 square feet (149 square meters) of coverage suitable for small offices, conference rooms, lounges and a variety of commercial areas
- Convenient pushbutton provides manual-ON/OFF light switching at any time
- Vandal resistant PIR lens
- Blinders—horizontal field-of-view may be adjusted between 180° and 180° of arc by using integral blinders located on either side of the lens. No masking tape required.
- Manual-ON/auto-OFF mode for installations where manual-ON switching is required but auto-OFF switching is still desired
- Red LED indicator light flashes when sensor detects motion to verify detection is active and can be used to comply with 2016 Title 24, Part 6 occupancy sensing requirements
- Time delay adjustment for delayed-OFF time settings of 30 seconds (for walking test), 10 minutes, 20 minutes and 30 minutes. Allows customized adjustments to maximize energy savings.
- Presentation mode feature for slide or film presentations allows push buttons to turn lights OFF and keep them OFF while the room is occupied
- One unit can be used for 120-230-277V lighting Compatible with LED drivers and electronic and magnetic ballasts
- No neutral design is optimal for retrofit applications

### FIELD-OF-VIEW

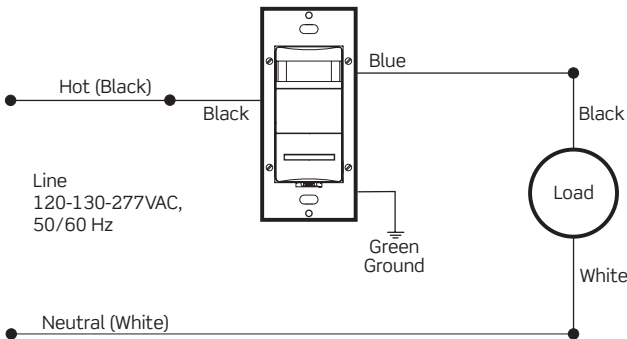
The ODS06 provides a 180° field-of-view with a maximum coverage area of approximately 1,600 square feet (149 square meters). The maximum sensing distance in front of the sensor is 30 feet (3 square meters), and at each side is 30 feet. A “minor motion” zone detects relatively small body movements and allows the lights to stay ON even though a person may not be moving or walking around the room. The remainder of the field-of-view, the “major motion” zone, exhibits a lesser degree of sensitivity and requires larger movements.



**DIMENSIONS**

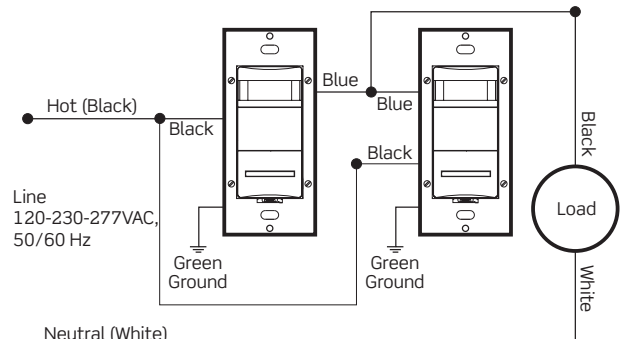


**WIRING DIAGRAM**



Note: Ground must be connected

ODS06 Single Location Control



Note: Ground must be connected

ODS06 Multi-Location Control