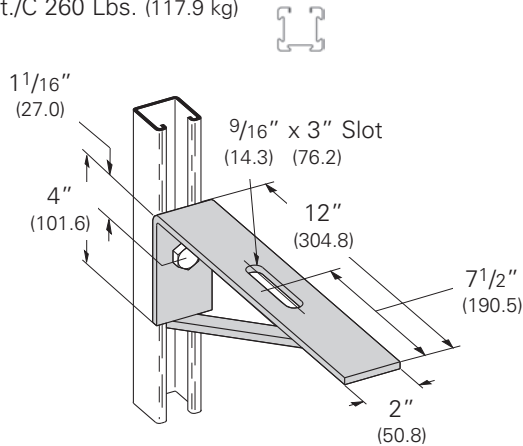


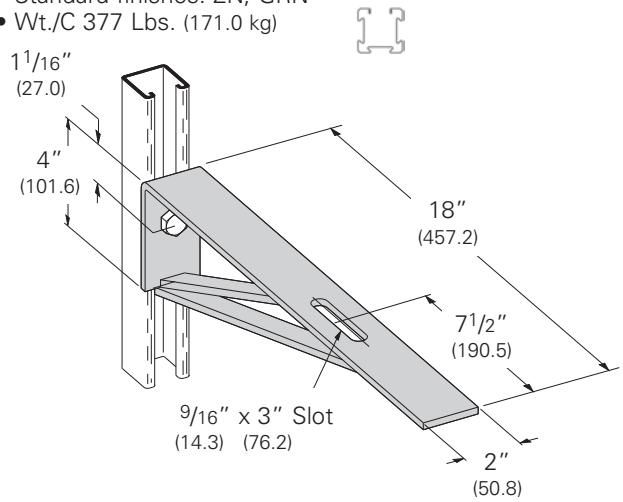
B190 12" (304.8) Bracket

- Uniform Loading 900 Lbs. (4.00 kN)
- Safety Factor of 2.5
- Standard finishes: ZN, GRN
- Wt./C 260 Lbs. (117.9 kg)



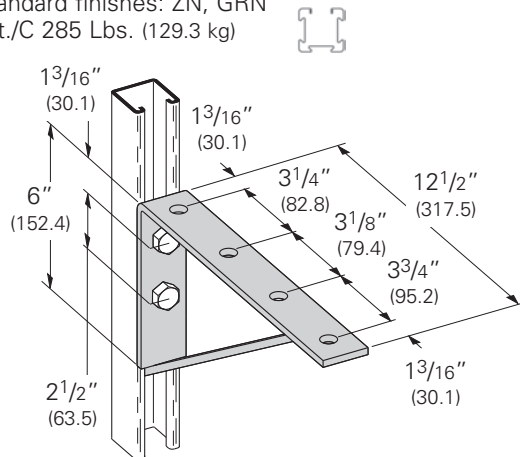
B191-18 18" (457.2) Bracket

- Uniform Loading 600 Lbs. (2.67 kN)
- Safety Factor of 2.5
- Standard finishes: ZN, GRN
- Wt./C 377 Lbs. (171.0 kg)



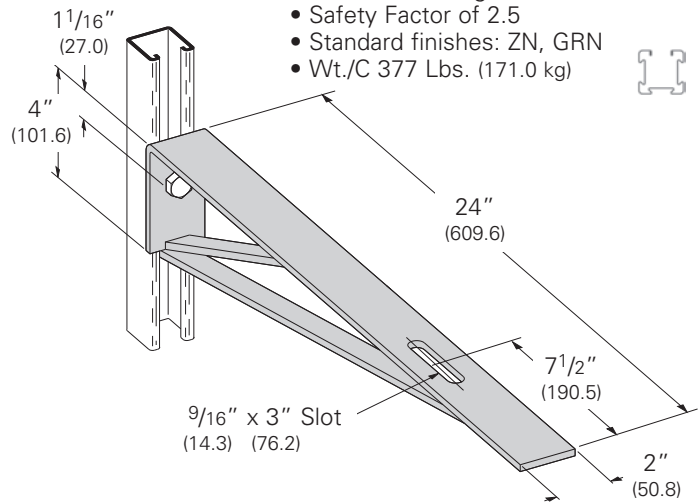
B289-12 12 1/2" (317.5) Bracket

- Uniform Loading 1040 Lbs. (4.63 kN)
- Safety Factor of 2.5
- Standard finishes: ZN, GRN
- Wt./C 285 Lbs. (129.3 kg)



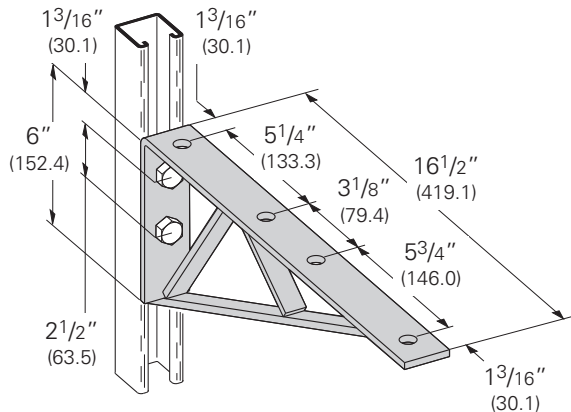
B191-24 24" (609.6) Bracket

- Uniform Loading 450 Lbs. (2.00 kN)
- Safety Factor of 2.5
- Standard finishes: ZN, GRN
- Wt./C 377 Lbs. (171.0 kg)



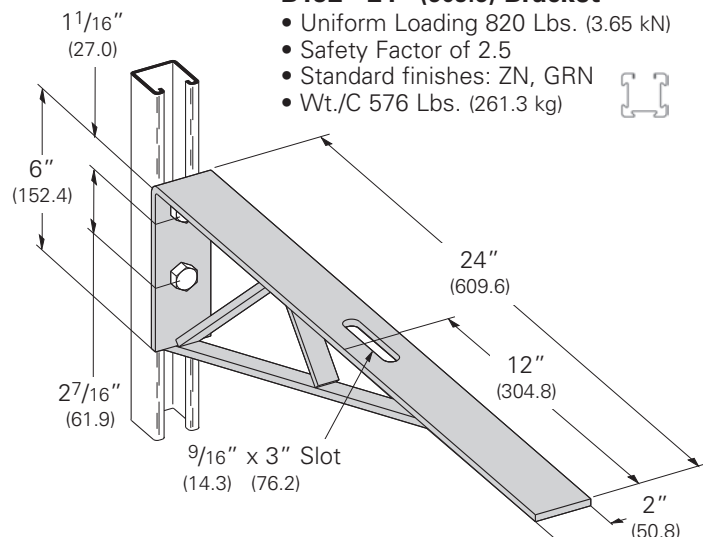
B290 16 1/2" (419.1) Bracket

- Uniform Loading 1200 Lbs. (5.34 kN)
- Safety Factor of 2.5
- Standard finishes: ZN, GRN
- Wt./C 405 Lbs. (183.7 kg)



B192 24" (609.6) Bracket

- Uniform Loading 820 Lbs. (3.65 kN)
- Safety Factor of 2.5
- Standard finishes: ZN, GRN
- Wt./C 576 Lbs. (261.3 kg)



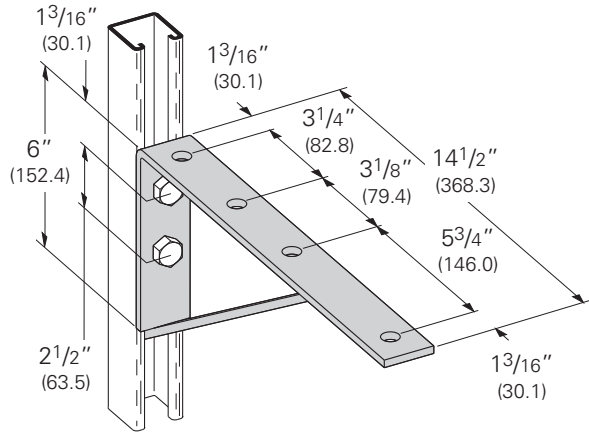
4Dimension compatible fitting

Reference page 73 for general fitting and standard finish specifications.

Brackets

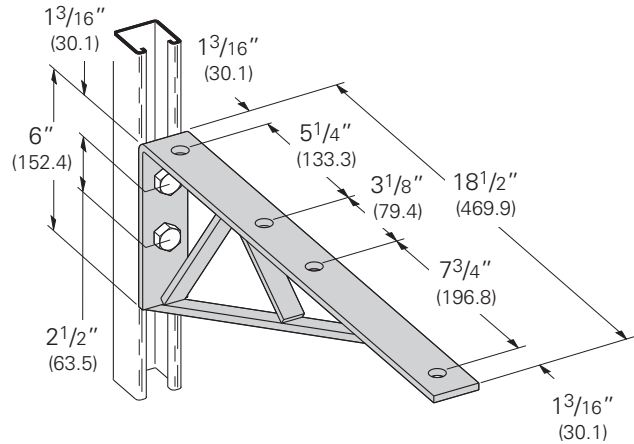
B289-14 14 1/2" (368.3) Bracket

- Uniform Loading 900 Lbs. (4.00 kN)
- Safety Factor of 2.5
- Standard finishes: ZN, GRN
- Wt./C 295 Lbs. (133.8 kg)



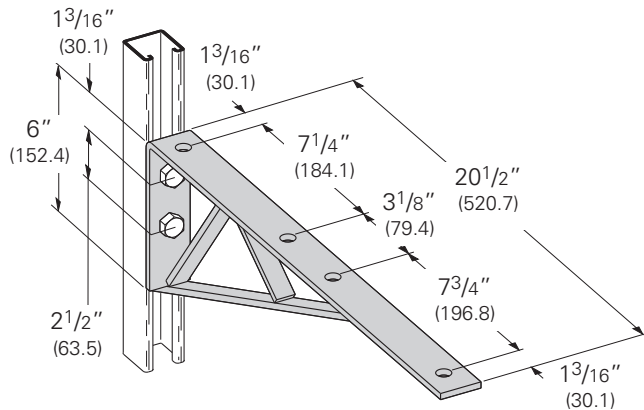
B291 18 1/2" (469.9) Bracket

- Uniform Loading 1070 Lbs. (4.76 kN)
- Safety Factor of 2.5
- Standard finishes: ZN, GRN
- Wt./C 468 Lbs. (212.3 kg)



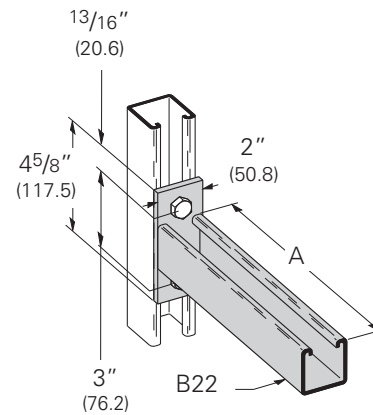
B292 20 1/2" (520.7) Bracket

- Uniform Loading 600 Lbs. (2.67 kN)
- Safety Factor of 2.5
- Standard finishes: ZN, GRN, HDG, SS4
- Wt./C 490 Lbs. (222.2 kg)



B409 Single Channel Bracket

- Safety Factor of 2.5
- Standard finishes: ZN, GRN, SS4



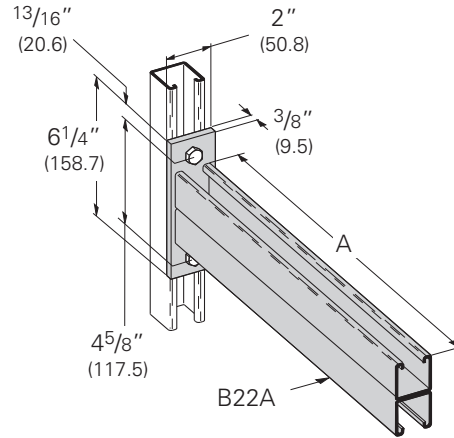
Part No.	A		Uniform Load		Wt./C	
	In.	mm	Lbs.	kN	Lbs.	kg
B409-6	6"	(152.4)	1920	(8.54)	152	(68.9)
B409-9	9"	(228.6)	1280	(5.69)	195	(88.4)
B409-12	12"	(304.8)	960	(4.27)	232	(105.2)
B409-14	14"	(355.6)	800	(3.56)	274	(124.3)
B409-16	16"	(406.4)	730	(3.25)	314	(142.4)
B409-18	18"	(457.2)	640	(2.84)	347	(157.4)
B409-24	24"	(609.6)	480	(2.13)	450	(204.1)

4Dimension compatible fitting

Reference page 73 for general fitting and standard finish specifications.

B297 Double Channel Bracket

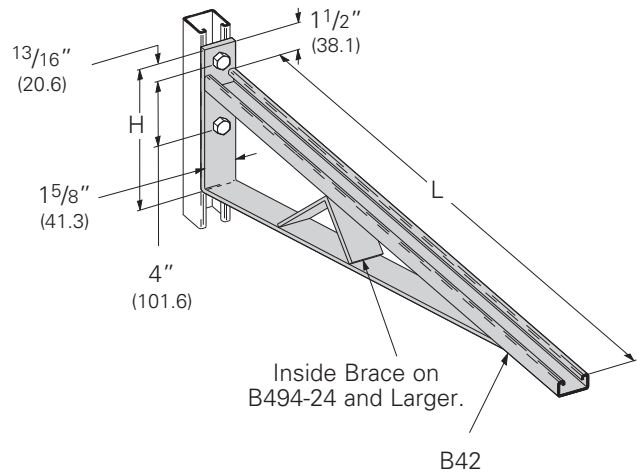
- Safety Factor of 2.5
- Standard finishes: ZN, GRN, HDG



Part No.	A		Uniform Load		Wt./C	
	In.	mm	Lbs.	kN	Lbs.	kg
B297-12	12"	(304.8)	1660	(7.37)	485	(220.0)
B297-18	18"	(457.2)	1100	(4.88)	668	(303.0)
B297-24	24"	(609.6)	835	(3.71)	857	(388.7)
B297-30	30"	(762.0)	665	(2.95)	1040	(471.7)
B297-36	36"	(914.4)	550	(2.44)	1240	(562.4)
B297-42	42"	(1066.8)	465	(2.06)	1440	(653.2)

B494 Braced Single Bracket

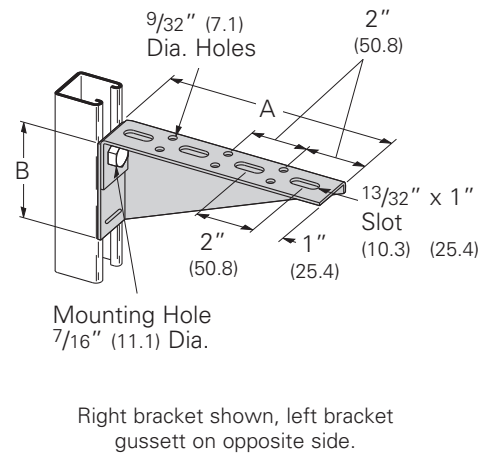
- Safety Factor of 2.5
- Standard finishes: ZN, GRN



Part No.	L	H	Uniform Load		Wt. /C			
	In.	mm	In.	mm	Lbs.	kg		
B494-12	12"	(304.8)	8 ³ / ₄ "	(222.2)	1580	(7.02)	364	(165.1)
B494-18	18"	(475.2)	8 ³ / ₄ "	(222.2)	1000	(4.45)	479	(217.3)
B494-24	24"	(609.6)	8 ³ / ₄ "	(222.2)	996	(4.43)	716	(324.8)
B494-30	30"	(762.0)	11 ¹ / ₄ "	(285.7)	924	(4.11)	927	(420.5)
B494-36	36"	(914.4)	11 ¹ / ₄ "	(285.7)	864	(3.84)	1095	(496.7)
B494-42	42"	(1066.8)	16"	(406.4)	580	(2.58)	1400	(635.0)
B494-48	48"	(1219.2)	16"	(406.4)	500	(2.22)	1510	(684.9)

B174SH-B186SH L&R Slotted Bracket

- Safety Factor of 2.5
- Specify L for left or R for right bracing
- Material: ASTM A1011 33,000 PSI min. yield
- Standard finishes: ZN, GRN



Part No.	A		B		Uniform Load		Wt./C	
	In.	mm	In.	mm	Lbs.	kN	Lbs.	kg
B174SH	24"	(609.6)	6 ⁷ / ₁₆ "	(163.5)	225	(1.00)	370	(167.8)
B175SH	26"	(660.4)	6 ¹⁵ / ₁₆ "	(176.2)	225	(1.00)	425	(192.8)
B176SH	28"	(711.2)	7 ⁷ / ₁₆ "	(188.9)	225	(1.00)	480	(217.7)
B177SH	30"	(762.0)	7 ¹⁵ / ₁₆ "	(201.6)	225	(1.00)	520	(235.9)
B178SH	12"	(304.8)	3 ⁷ / ₁₆ "	(87.3)	350	(1.55)	143	(64.8)
B179SH	14"	(355.6)	3 ¹⁵ / ₁₆ "	(100.0)	350	(1.55)	162	(73.5)
B180SH	16"	(406.4)	4 ⁷ / ₁₆ "	(112.7)	250	(1.11)	204	(92.5)
B181SH	18"	(457.2)	4 ¹⁵ / ₁₆ "	(125.4)	250	(1.11)	232	(105.2)
B182SH	20"	(508.0)	5 ⁷ / ₁₆ "	(138.1)	250	(1.11)	275	(124.7)
B183SH	22"	(558.8)	5 ¹⁵ / ₁₆ "	(150.8)	250	(1.11)	317	(143.8)
B184SH	6"	(152.4)	1 ¹⁵ / ₁₆ "	(49.2)	225	(1.00)	58	(26.3)
B185SH	8"	(203.2)	2 ⁷ / ₁₆ "	(61.9)	225	(1.00)	82	(37.2)
B186SH	10"	(254.0)	2 ¹⁵ / ₁₆ "	(74.6)	325	(1.44)	103	(46.7)

4Dimension compatible fitting

Reference page 73 for general fitting and standard finish specifications.