



# DEADENDS

## BOLTED STRAIGHT LINE

### DEADEND STRAIN CLAMP

### SWING AWAY ALUMINUM

DA  
12

ALUMINUM
GD900



For distribution and light transmission construction. The angle beam pressure pad effectively converts torque to maximum pressure and spreads this force over the total contact area.

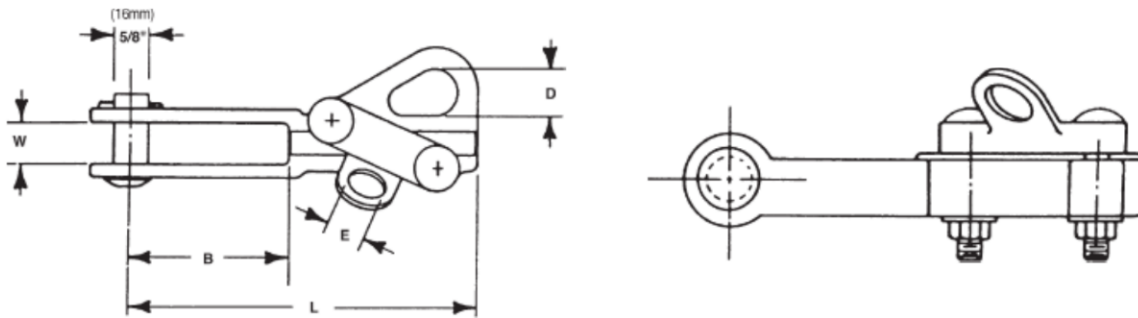
The compressive forces are combined with the modified parabolic "V" groove of the body to provide maximum conductor encirclement and increased holding ability.

The large pulling eye makes it convenient to connect and disconnect the "come-along" hook.

#### SWING AWAY DESIGN

The pressure pad is easily lifted and swung clear of the cable groove permitting convenient top loading of the conductor without disassembly.

**Material:** **Body and Keeper** - 356-T6 Aluminum Alloy  
**Hardware** - Galvanized Steel  
**Cotter Pin** - #302 Stainless Steel



### Product Data & Conductor Size

CATALOG NUMBER	CLAMPING RANGE			ULTIMATE BODY STRENGTH LBS. (kN)	BOLT SIZE INCHES (MM)	DIMENSIONS INCHES (MM)					APPROX. WT. EACH LBS. (KG)
	ACSR	ALUMINUM	INCHES (MM)			L	B	W	D	E	
GD961A**	#6 (6/1) To 2/0 (6/1)	#6 (7) to 3/0 (7)	.18-.47 (4.57-11.94)	7,000 (31.14)	3/8 (9.53)	6-5/8 (168.4)	3 (76.2)	3/4 (19.05)	7/8 (22.22)	-	1.1 (0.5)
GD963A	#4 (6/1) to 397.5 (30/7)	#4 (7) to 477 (37)	.25-.81 (6.35-20.57)	10,000 (44.48)	1/2 (12.70)	10 (254)	5 (127)	3/4 (19.05)	1 25.4	7/8 (22.22)	2.0 (0.9)
GD965A	3/0 (6/1) to 556.5 (18/1)	4/0 (7) to 556.5 (37)	.50-.88 (12.7-22.35)	10,000 (44.48)	1/2 (12.70)	10-1/8 (257.17)	5-1/4 (133.35)	3/4 (19.05)	1 25.4	7/8 (22.22)	3.3 (1.5)
GD967A	300 (26/7) to 954 (36/1)	336.4 (19) to 954 (61)	.68-1.15 (17.27-29.21)	10,000 (44.48)	1/2 (12.70)	16-1/2 (419.1)	10 (254)	1-1/4 (31.75)	1-1/8 25.58	7/8 (22.22)	3.8 (1.7)

NOTE: (1) Recommended Torque on bolts: 3/8" - 240 in. lbs., 1/2" - 480 in. lbs.  
 (2) All bolted deadends are rated 40% of RBS - Partial tension per ANSI C119.4"  
 (3) For conductor sizes not shown in catalog, consult factory

\*\* RUS Listed.