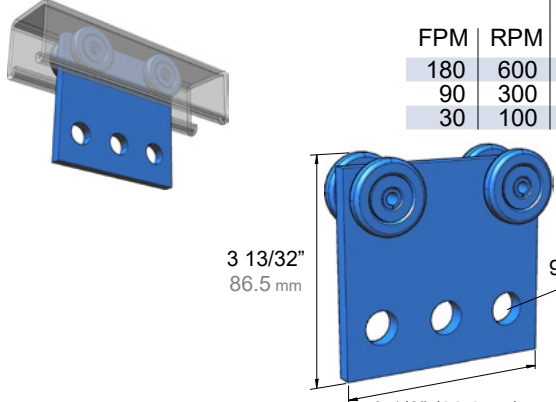


## TROLLEYS

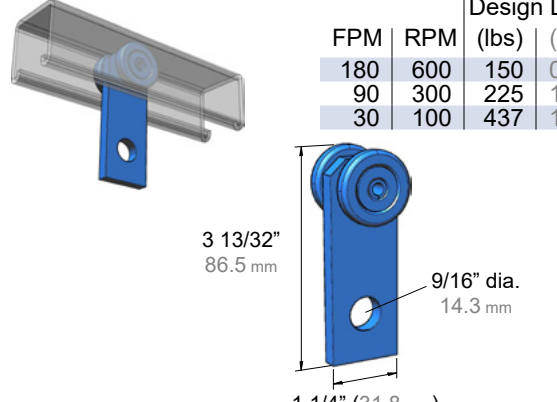
The Sasco Trolley System provides mobility, reliability and economy. Stainless Steel wheel bearings require no lubrication for longevity and maintenance-free performance. Specialized supports allow trolleys to travel the full length of the strut channel track. Great for doors, tools, curtains and other applications.



**S871T-EG**

		Design Load	
FPM	RPM	(lbs)	(kN)
180	600	300	1.33
90	300	450	2.00
30	100	600	2.67

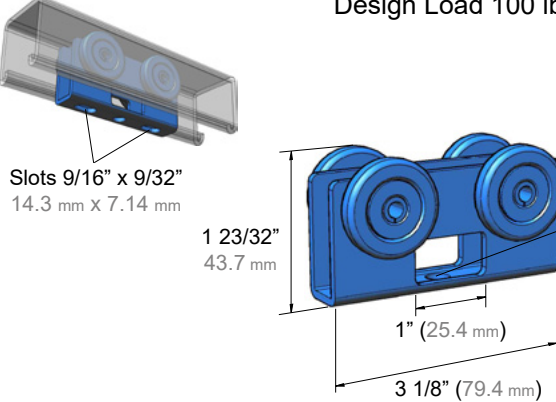
3 13/32" (86.5 mm)  
9/16" dia. holes (14.3 mm)  
3 1/2" (88.9 mm)  
Do not lubricate.



**S870T-EG**

		Design Load	
FPM	RPM	(lbs)	(kN)
180	600	150	0.67
90	300	225	1.00
30	100	437	1.94

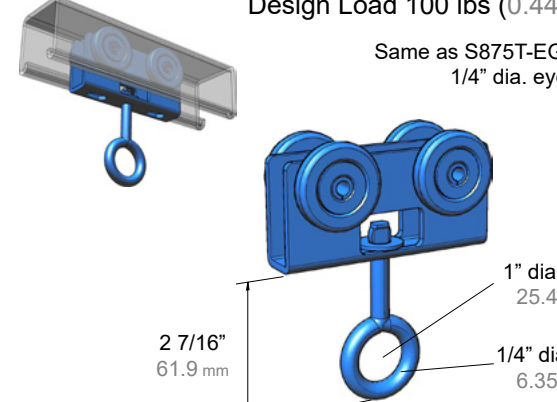
3 13/32" (86.5 mm)  
9/16" dia. (14.3 mm)  
1 1/4" (31.8 mm)  
Do not lubricate.



**S875T-EG**

Design Load 100 lbs (0.44 kN)

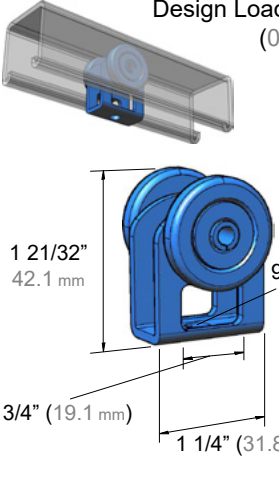
Slots 9/16" x 9/32" (14.3 mm x 7.14 mm)  
1 23/32" (43.7 mm)  
9/32" dia. (7.14 mm)  
1" (25.4 mm)  
3 1/8" (79.4 mm)  
Do not lubricate.



**S876HT-EG**

Design Load 100 lbs (0.44 kN)

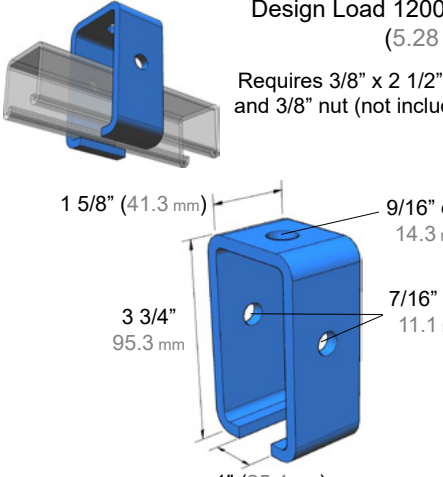
Same as S875T-EG with 1/4" dia. eye bolt  
1" dia. eye (25.4 mm)  
1/4" dia. rod (6.35 mm)  
2 7/16" (61.9 mm)  
Do not lubricate.



**S873T-EG**

Design Load 50 lbs (0.22 kN)

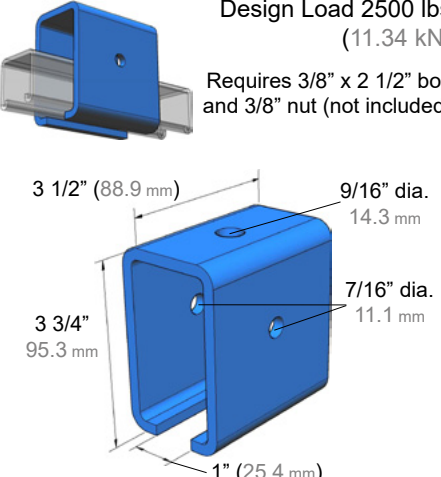
1 21/32" (42.1 mm)  
9/32" dia. (7.14 mm)  
3/4" (19.1 mm)  
1 1/4" (31.8 mm)  
Do not lubricate.



**S878TS-EG**

Design Load 1200 lbs (5.28 kN)

Requires 3/8" x 2 1/2" bolt and 3/8" nut (not included)  
1 5/8" (41.3 mm)  
9/16" dia. (14.3 mm)  
7/16" dia. (11.1 mm)  
3 3/4" (95.3 mm)  
1" (25.4 mm)



**S877TS-EG**

Design Load 2500 lbs (11.34 kN)

Requires 3/8" x 2 1/2" bolt and 3/8" nut (not included)  
3 1/2" (88.9 mm)  
9/16" dia. (14.3 mm)  
7/16" dia. (11.1 mm)  
3 3/4" (95.3 mm)  
1" (25.4 mm)