

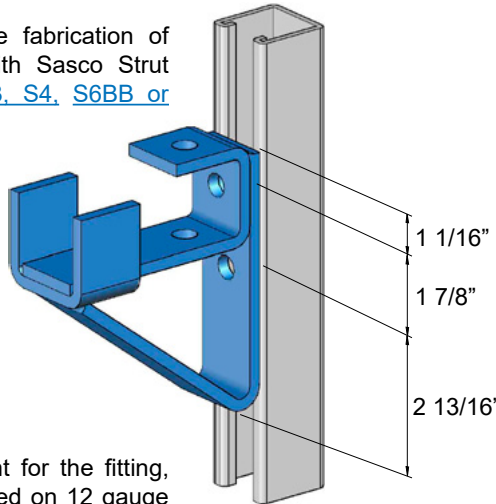
BRACKETS

The Sasco Brackets illustrated are the most common styles and lengths, and are suitable for wall or strut channel mounting.

Sasco will manufacture custom styles or lengths to meet your requirements.

S681B-HG

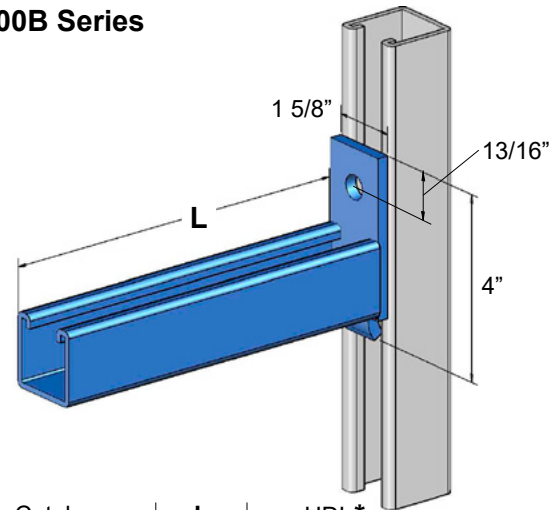
Allows for on-site fabrication of brackets. Use with Sasco Strut Channels [S2](#), [S3](#), [S4](#), [S6BB](#) or [S7BB](#).



Allowable moment for the fitting, only when mounted on 12 gauge vertical strut, is 5150 in-lbs. Safety factor of 2.5.

Inserted strut channel and length may limit capacity.

S600B Series

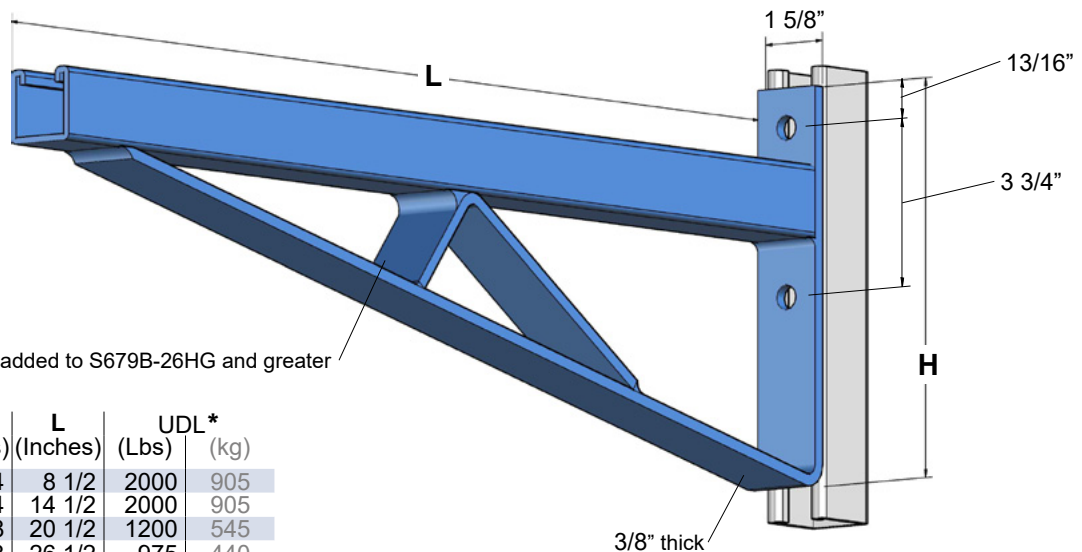


Catalogue No.	L (Inches)	UDL*	
		(Lbs)	(kg)
S600B-8HG	8	1100	500
S600B-14HG	14	550	250
S600B-20HG	20	350	160
S600B-26HG	26	250	110

Safety factor of 2.5.

Custom lengths on request.

S679B Series



Supports added to S679B-26HG and greater

Catalogue No.	H (Inches)	L (Inches)	UDL*	
			(Lbs)	(kg)
S679B-8HG	8 3/4	8 1/2	2000	905
S679B-14HG	8 3/4	14 1/2	2000	905
S679B-20HG	8 7/8	20 1/2	1200	545
S679B-26HG	8 7/8	26 1/2	975	440
S679B-32HG	11 1/4	32 1/2	920	420
S679B-38HG	11 1/2	38 1/2	860	390

Safety factor of 2.5.

*The Uniform Design Load (UDL) values shown are when 12 ga. vertical strut channel is used.

Uprights must be designed to properly support load. When wall mounted, anchors must be of sufficient size to support load.

Note: All holes 9/16" dia., 1.000 inches = 25.40 mm