



SMW4N-LED48

LED Surface Mount Wrap



SPECIFICATIONS*

Watts	48.4
Lumens	5111
Efficacy	106 lm/W
Replaces Up To	2 lamp T8
Colour Temp	4000K
Operating Temp	-25°C to +55°C
Voltage	120-277
LED Life	50,000 hours
Certification	ETL Listed, DLC
Housing Material	Steel
Lens	Polycarbonate
Power Factor	0.927
Total Harmonic Distortion	15.4
CRI	>80
Weight	4.9lbs
Maximum Fixtures Connected in a Row	8



DESCRIPTION

The SMW4N-LED Surface Mount Wrap is a 4' linkable linear fixture for indoor use. The wraparound fixture is easy to install and features a link connector ideal for combining multiple fixtures in one row.

APPLICATIONS



Stairwells



Hallways



Foyers



Utility Areas

FEATURES

- Easy to use link connector allows you to combine up to 8 fixtures in one row.
- Clips at either end facilitate seamless lens removal for easy install.
- DLC approved for energy rebates.

OTHER MODEL SPECIFICATIONS

MODEL DESCRIPTION	VOLTAGE (V)	INPUT POWER (W)	LIGHT OUTPUT	EFFICACY (Lm/W)	THD	PF	CCT	CRI
SMW4N-LED48-B-4K-XXX-FR	120-277V	48.4	5111	105.6	15.4	0.927	4000	83.5

LEGEND

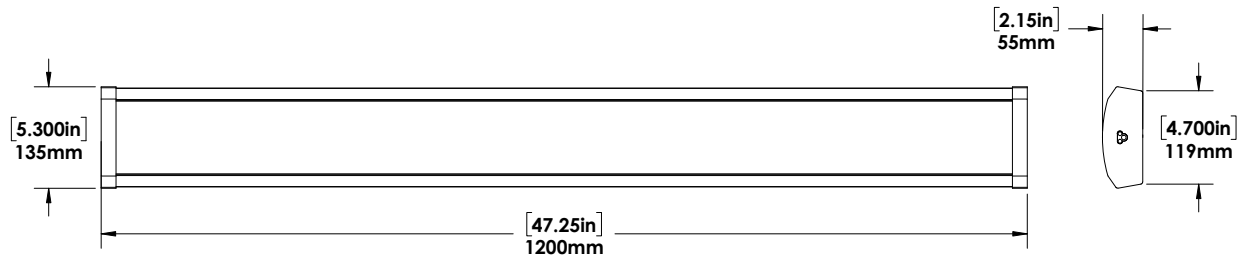
B - 120V-277V

4K - 4000K

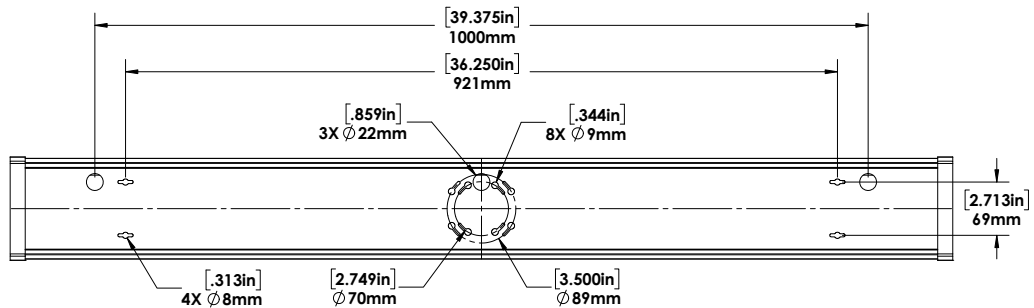
XXX - HOUSING FINISH

FR - FROSTED LENS

DIMENSIONS



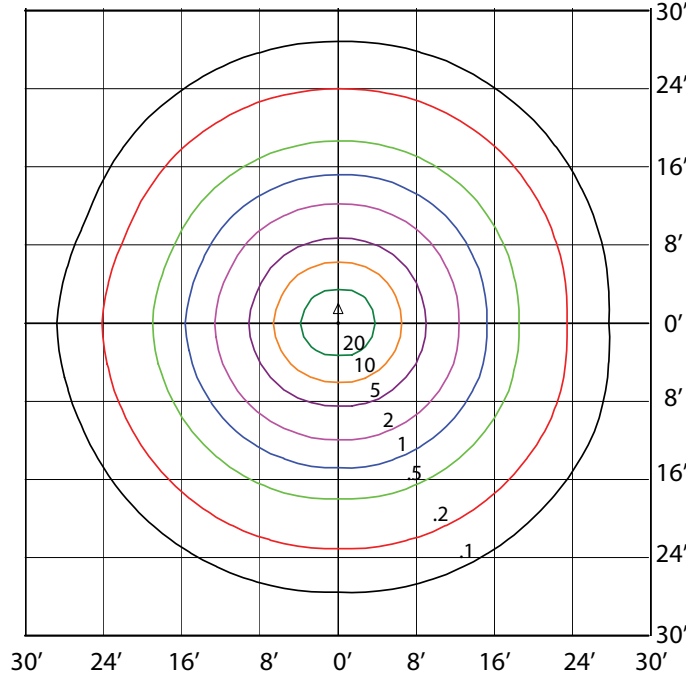
Knockouts On Back of the Fixture



Weight = 4.9lbs

PHOTOMETRICS

**SMW4N-LED48-B-4K
MOUNTED AT 8 FEET**



COEFFICIENTS OF UTILIZATION - ZONAL CAVITY METHOD

Effective Floor Cavity Reflectance 0.20

RC	80	70	50	30	10	0												
RW	70	50	30	10	50	30	10	50	30	10	50	30	10	0				
0	119	119	119	119	116	116	116	116	111	111	111	106	106	106	101	101	101	99
1	109	104	100	96	106	102	98	94	97	94	91	93	91	88	90	88	86	84
2	99	91	84	79	96	89	83	78	85	80	76	82	78	74	79	75	72	70
3	91	80	72	66	88	79	71	65	76	69	64	73	67	63	70	66	62	59
4	83	71	63	56	81	70	62	56	67	60	55	65	59	54	63	58	53	51
5	77	64	55	49	75	63	55	48	61	53	48	59	52	47	57	51	47	44
6	71	58	49	43	69	57	49	42	55	48	42	53	47	42	52	46	41	39
7	66	53	44	38	64	52	44	38	50	43	37	49	42	37	47	41	37	35
8	61	48	40	34	60	47	39	34	46	39	34	45	38	33	43	37	33	31
9	57	44	36	31	56	44	36	31	42	35	30	41	35	30	40	34	30	28
10	54	41	33	28	53	40	33	28	39	32	28	38	32	27	37	32	27	26

ZONAL LUMEN SUMMARY

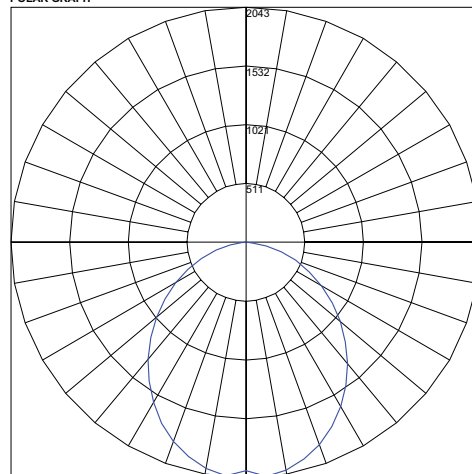
Zone	Lumens	%Lamp	%Fixt
0-20	718.77	14.20	14.20
0-30	1497.85	29.60	29.60
0-40	2394.99	47.30	47.30
0-60	4039.06	79.80	79.80
0-80	4918.52	97.20	97.20
0-90	5021.57	99.20	99.20
10-90	4833.55	95.50	95.50
20-40	1676.22	33.10	33.10
20-50	2559.2	50.60	50.60
40-70	2205.36	43.60	43.60
60-80	879.46	17.40	17.40
70-80	318.17	6.30	6.30
80-90	103.05	2.00	2.00
90-110	18.60	0.40	0.40
90-120	22.00	0.40	0.40
90-130	25.79	0.50	0.50
90-150	33.70	0.70	0.70
90-180	39.08	0.80	0.80
110-180	20.48	0.40	0.40
0-180	5060.65	100.00	100.00

ZONAL LUMEN SUMMARY

Zone	Lumens
0-10	188.03
10-20	530.74
20-30	779.08
30-40	897.14
40-50	882.98
50-60	761.09
60-70	561.29
70-80	318.17
80-90	103.05
90-100	14.99
100-110	3.61
110-120	3.40
120-130	3.78
130-140	4.09
140-150	3.82
150-160	3.01
160-170	1.81
170-180	0.56

Total Luminaire Efficiency = 100.00%

POLAR GRAPH



Maximum Candela = 2042.554 Located At Horizontal Angle = 90, Vertical Angle = 5
Vertical Plane Through Horizontal Angles (90 - 270) (Through Max. Cd.)