

CABLE MATERIAL

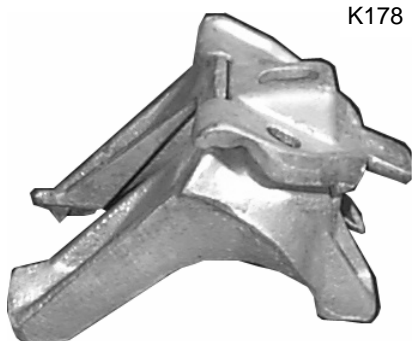
Aerial Cable Clamp



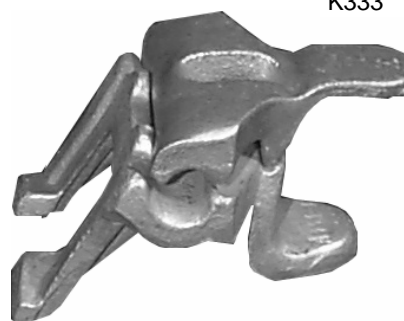
K193-1

- ◆ Ductile iron casting
- ◆ Curved clamping groove for sag of span
- ◆ Teeth on feet resist bending
- ◆ Hot dip galvanized
- ◆ * Heavy Duty

Cat No.	Shipping Wt. lbs (100 pcs)	Std. Pkg
K193-1	200	25
K333	200	15
K178*	750	6

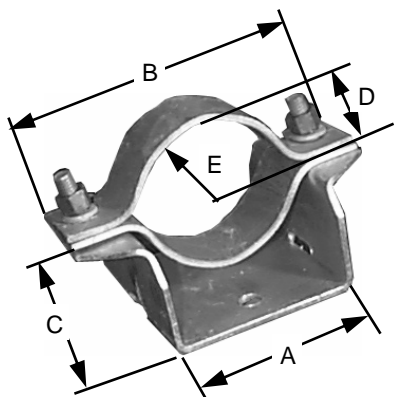


K178



K333

X, Y & Z Clamps



- ◆ All parts hot dip galvanized

Cat No.	Type	A Inches	B Inches	C Inches	D Inches	E Inches	Shipping Wt. lbs (100 pcs)	Std. Pkg
K490-1	X	2-1/8	4-3/8	1-1/4	11/16	3/4	150	20
K490-2	Y	2-7/8	5-1/4	1-5/8	1	1-1/8	200	10
K490-3	Z	3-3/4	6	2-1/8	1-7/16	1-9/16	200	10