

SE Series

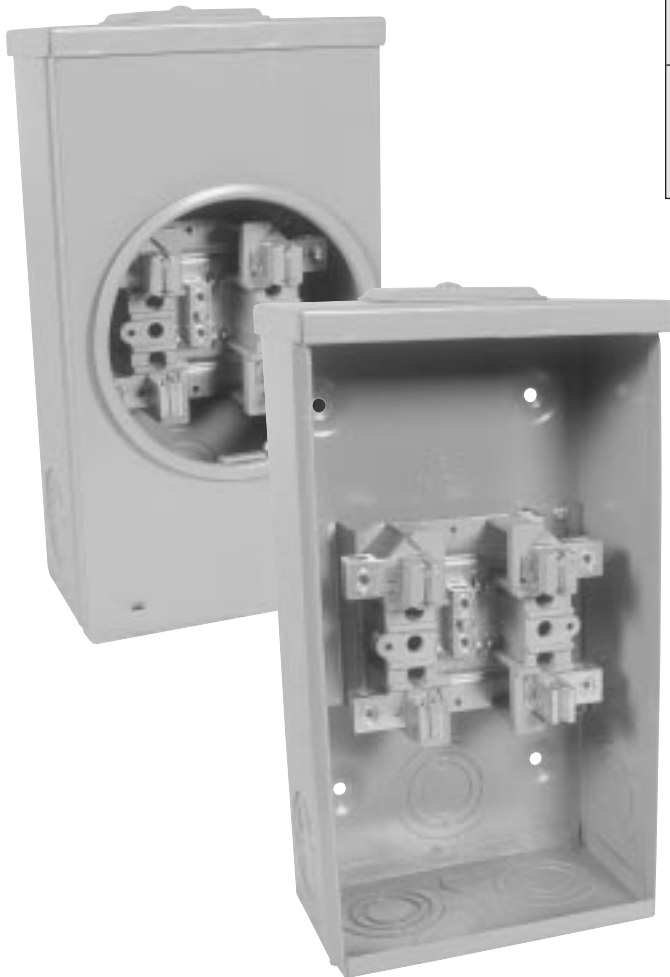
100 AMP - 600 VOLTS King Size



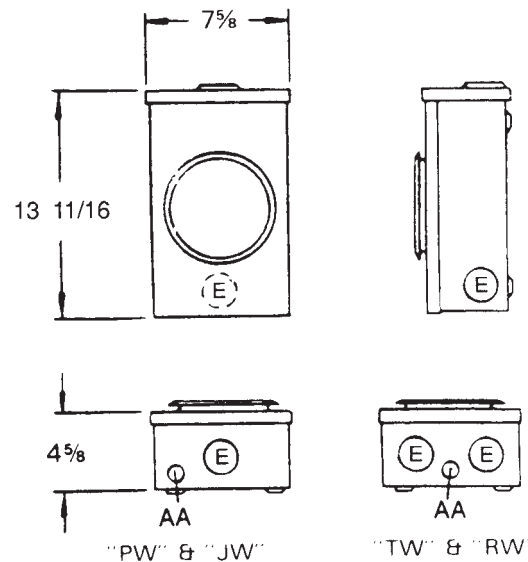
| CATALOGUE # | DESCRIPTION | WEIGHT |
|----------------|---|--------|
| SE400PW | Overhead, hub opening, hub plate not included | 8 lbs. |
| SE400JW | Overhead c/w 1 1/4" hub | 8 lbs. |
| SE400TW | Underground blank top | 8 lbs. |
| SE400RW | Combination overhead / underground | 8 lbs. |
| SE400BW | Overhead c/w twin 1 1/4" hubs | 9 lbs. |
| SE400BP | Overhead twin closure plates not included | 8 lbs. |
| SE420RW | Combination OH/UG c/w water heater lugs | 8 lbs. |

- Conductor range No. 6 - 1/0 AWG CU/AL
- CSA weatherproof enclosure 3
- Approved for copper or aluminum
- For extra ground lug on neutral add suffix NB - Used in New Brunswick

- Field adaptable accessories
- 5th Jaw at 9 O'clock - **SXK503**
- Insulated neutral - **ink 100**
- 5th Jaw at 6 O'clock - **ink 105**



| KNOCKOUT CODE | CONDUIT SIZE |
|---------------|------------------------|
| AA | 1/2" |
| D | 1 1/4", 1 1/2", 2" |
| E | 1", 1 1/4", 1 1/2", 2" |



SFC Series



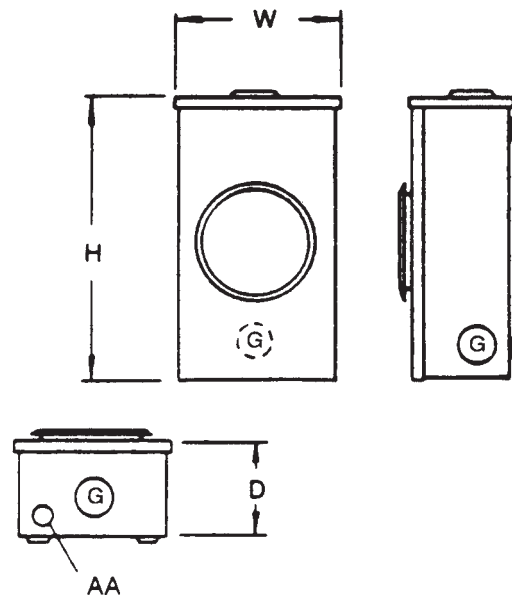
100 AMP - 7 JAW Polyphase 3 PH - 4 Wire Meter Sockets

| CATALOGUE # | DESCRIPTION | ENCLOSURE SIZE H X W X D | WEIGHT |
|-----------------|--|---|---------|
| SFC700PW | 7 Jaw overhead c/w hub closure plate | 15 ³ / ₈ " x 8 ⁵ / ₈ " x 5" | 12 lbs. |
| SFC703PW | as above, c/w insulated neutral | 15 ³ / ₈ " x 8 ⁵ / ₈ " x 5" | 12 lbs. |
| SFC800PW | 8 Jaw - overhead | 15 ³ / ₈ " x 8 ⁵ / ₈ " x 5" | 12 lbs. |
| SFC700RW | 7 Jaw combination overhead/underground | 15 ³ / ₈ " x 8 ⁵ / ₈ " x 5" | 12 lbs. |

- 100 Amp, 600 VOLT
- CSA enclosure 3
- CSA approved for copper or aluminum
- Conductor range #6 - 1/0 AWG CU/AL

- Order "SXC" hubs separately
- Insulated neutral can be field added
"INK 100"

| KNOCKOUT CODE | CONDUIT SIZE |
|------------------|---|
| AA | 1/2" |
| G | 1 ¹ / ₄ ", 1 ¹ / ₂ ", 2", 2 ¹ / ₂ " |



JA Series



100 AMP SOCKET & BREAKER

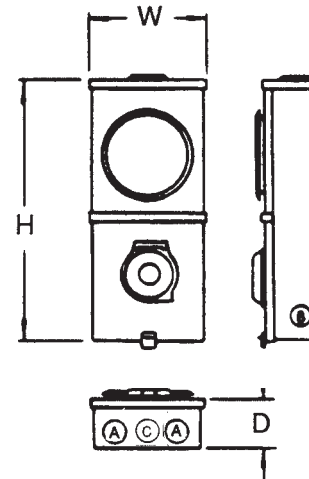
Breaker not included, Service Entrance Approved

| CATALOGUE # | DESCRIPTION | ENCLOSURE SIZE H X W X D | WEIGHT |
|------------------|--|--|---------|
| JA400RW | Conductor range #6 - 1/0 AWG CU/AL (combination)*† | 22 ³ / ₈ " x 8 ¹ / ₄ " x 3 ³ / ₄ " | 20 lbs. |
| JA400RWT | As above, c/w 100 amp 2 pole breaker | 22 ³ / ₈ " x 8 ¹ / ₄ " x 3 ³ / ₄ " | 21 lbs. |
| JA400PW | Conductor range #6 - 1/0 AWG CU/AL overhead | 22 ³ / ₈ " x 8 ¹ / ₄ " x 3 ³ / ₄ " | 20 lbs. |
| JA000PW | Conductor range #6 - #3 copper only (overhead)*† | 18 ¹ / ₄ " x 7 ⁵ / ₈ " x 3 ³ / ₄ " | 15 lbs. |
| JA000PWSD | As above but adapted to take SQ D breaker only - "QO" series | 18 ¹ / ₄ " x 7 ⁵ / ₈ " x 3 ³ / ₄ " | 15 lbs. |

- 4 Jaw - 100Amp - 120/240 VOLT
- Combination meter socket & circuit breaker
- CSA weatherproof enclosure 3
- Suitable for mobile homes, farm services, trailers, temporary services, etc.
- JA000 used with the following makes of breakers: Westinghouse - "BR"
ITE - "Q"
CGE - "THQAL"

*Breaker not included (sold separately)
†Select from table below
- Plug-in circuit breakers fully magnetic
- Use SXX503 for 5th Jaw at 9 O'clock

| KNOCKOUT CODE | CONDUIT SIZE |
|---------------|------------------------|
| A | 1/2", 1", 1 1/4" |
| C | 1", 1 1/4", 1 1/2" |
| E | 1", 1 1/4", 1 1/2", 2" |



SINGLE POLE

| CAT. NO. | AMPS |
|--------------|------|
| MP115 | 15 |
| MP120 | 20 |
| MP130 | 30 |
| MP140 | 40 |
| MP150 | 50 |

DOUBLE POLE

| CAT. NO. | AMPS |
|--------------|------|
| MP215 | 15 |
| MP220 | 20 |
| MP230 | 30 |
| MP240 | 40 |
| MP250 | 50 |

DOUBLE POLE

| CAT. NO. | AMPS |
|--------------|------|
| MP260 | 60 |
| MP270 | 70 |
| MP211 | 100 |