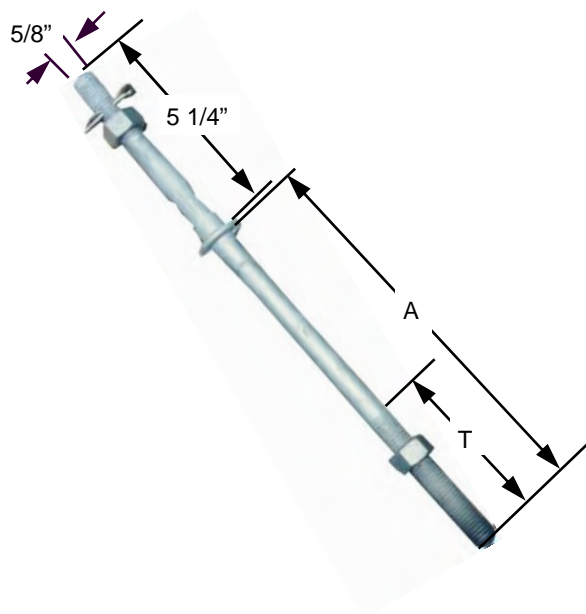


BOLTS, NUTS AND WASHERS

Single Upset Spool Bolts

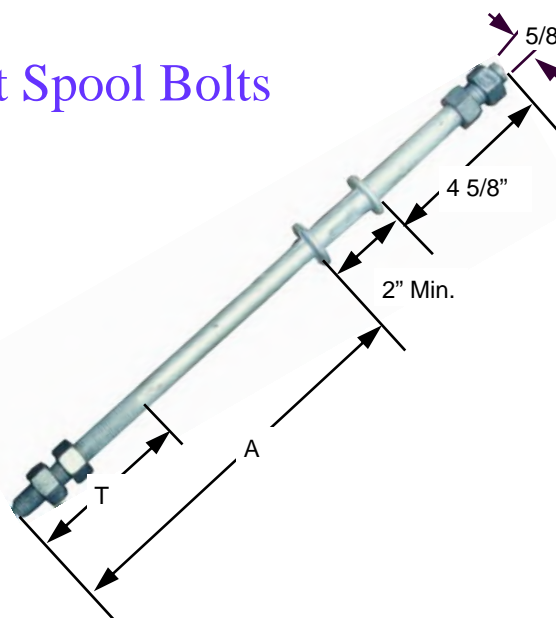


Cat No.	A Inches	T Inches	Shipping Wt. lbs (100 pcs)	Std. Pkg
K126-8	8	4	140	25
K126-10	10	6	160	25
K126-12	12	6	180	25
K126-14	14	6	200	25
K126-16	16	6	220	25

- ◆ C.S.A. standard
- ◆ Drop forged steel
- ◆ Supplied complete as shown
- ◆ Used to support neutral wire in rural or light construction
- ◆ Spool insulator to be ordered separately
- ◆ Wrench flats provided on shank
- ◆ Cotter pin hole located 4 1/8" from the shoulder
- ◆ Hot dip galvanized

Double Upset Spool Bolts

Cat No.	A Inches	T Inches	Shipping Wt. lbs (100 pcs)	Std. Pkg
K126-8D	8	4	150	25
K126-10D	10	6	170	25
K126-12D	12	6	190	25
K126-14D	14	6	210	25
K126-16D	16	6	230	25





BOLTS, NUTS AND WASHERS

Square Nuts

Cat No.	Bolt Size Inches	Shipping Wt. lbs (100 pcs)	Std. Pkg
K4-1	3/8	3	100
K4-2	1/2	10	50
K4-3	5/8	11.5	200
K4-4	3/4	23.5	150
K4-5	7/8	46	50
K4-6	1	50	50



K4-1



K5-1

Hexagon Nuts

Cat No.	Bolt Size Inches	Shipping Wt. lbs (100 pcs)	Std. Pkg
K5-1	3/8	3	100
K5-2	1/2	10	50
K5-3	5/8	11.5	200
K5-4	3/4	23.5	150
K5-5	7/8	46	50
K5-6	1	50	50

- ◆ C.S.A. Standard
- ◆ Made from grade "A" steel

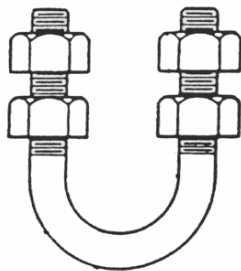
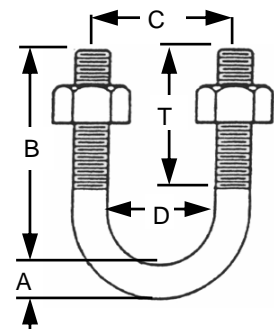
- ◆ Hot dip galvanized
- ◆ Tapped UNC thread over size

U Bolts

- ◆ *Specify if required black or hot dip galvanized and number of nuts required (hex or square)
- ◆ Please accompany order with a sketch showing dimensions A,B,C,D & T

Standard Type

- ◆ Used in a vast variety of applications



Medium Type

- ◆ Used extensively on tower arms and other steel structures for attaching insulator strings

Cat No.	Shipping Wt. lbs (100 pcs)	Std. Pkg
K120*	63	50

Strand Eye Nuts

Cat No.	Bolt Dia. Inches	Minimum Strength lbs	Shipping Wt. lbs (100 pcs)	Std. Pkg
K498-1	1/2	7700	90	25
K498-2	5/8	12400	84	50
K498-3	3/4	18300	82	25

- ◆ Drop forged steel
- ◆ Hot dip galvanized
- ◆ Used for span & single head guying



BOLTS, NUTS AND WASHERS

Bolt Eyes



Cat No.	Bolt Dia. Inches	Bolt Hole Inches	Inside Eye Inches	Shipping Wt. lbs (100 pcs)	Std. Pkg
K499-1*	3/4	13/16 x 1	1 -1/4 x 3	125	50
K499-2*	5/8	11/16 x 1	1 -1/4 x 3	125	50

- ◆ * Add "F" for Drop Forged
- ◆ Bolt can be inserted at an angle as hole is elongated
- ◆ Used for dead-ending on crossarms
- ◆ Hot dip galvanized

Oval Eye Nuts

Cat No.	Bolt Dia. Inches	Strength lbs	Shipping Wt. lbs (100 pcs)	Std. Pkg
K450-1	1/2	7700	47	50
K450-2	5/8	12400	60	50
K450-3	3/4	18300	60	50



- ◆ Used for dead ending suspension insulators
- ◆ Drop forged steel
- ◆ Hot dip galvanized

Angle Thimble Eyelet



Cat No.	Bolt Dia. Inches	Strand Dia. Inches	Strength lbs	Shipping Wt. lbs (100 pcs)	Std. Pkg
K496-1	11/16	3/16 TO 1/2	12400	134	50
K496-2	13/16	3/16 TO 1/2	18300	128	50

- ◆ Drop forged steel
- ◆ Bent at 45° angle
- ◆ Used to assemble upper end of guy on ground
- ◆ Hot dip galvanized