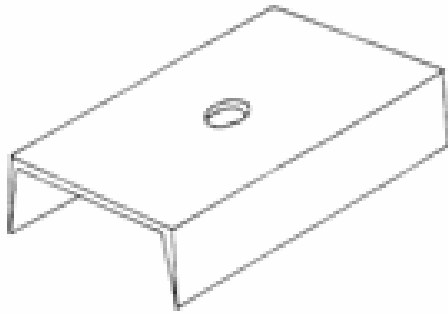




LINE POST HARDWARE

Line Post Insulator Saddle

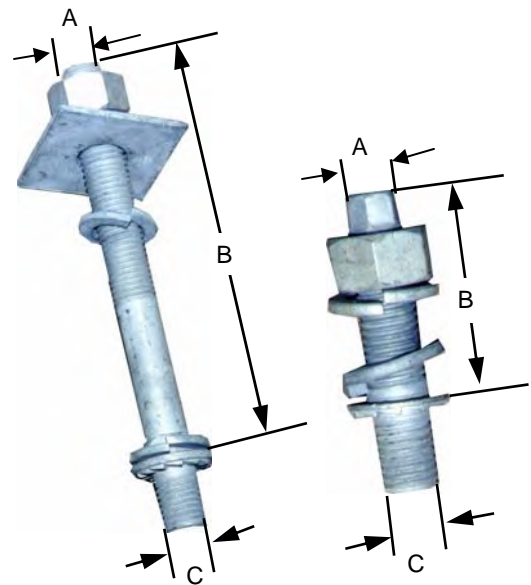


- ◆ For heavy duty or extra factors of safety
- ◆ Used to prevent splitting of arms
- ◆ Steel construction
- ◆ Hot dip galvanized

Cat No.	Shipping Wt. lbs (100 pcs)	Std. Pkg
K86	350	10

Insulator Studs (for Line Post Insulators)

Cat No.	A Inches	B Inches	C Inches	Shipping Wt. lbs (100 pcs)	Std. Pkg
K59-1	3/4	2-1/8	3/4	76	50
K59-2	3/4	6-7/8	3/4	176	25
K59-3	5/8	6-7/8	3/4	100	25
K59-4	3/4	2-1/8	7/8	90	50
K59-5	3/4	7-1/2	7/8	200	25
K59-6	7/8	3-1/2	7/8	75	100
K59-7	7/8	8	7/8	266	15



- ◆ Made from high strength forging steel
- ◆ All studs made with hexagon to fit 11/16" wrench
- ◆ Studs also available with end hexagon for 9/16" socket wrench
- ◆ Ultimate strength in tension 21,000 lbs. min.
- ◆ Hot dip galvanized