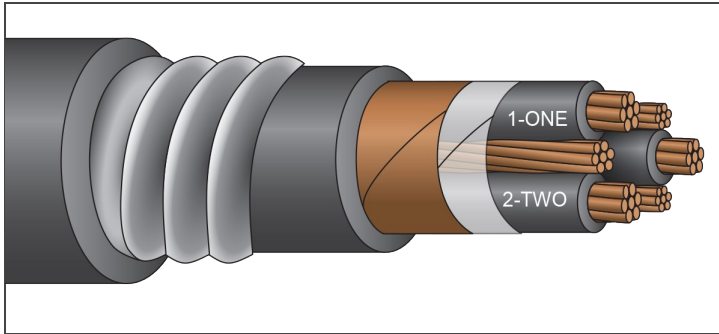


SERVICEDRIVE®



**VFD TECK90
RWU90/CPE**
1,000/2,000 Volt Copper



Description:

Three copper conductors, stranded and insulated with heat and moisture resistant, chemically crosslinked polyethylene (*type RWU90*), phase identified and cabled together with suitable fillers and three symmetrical copper ground conductors. Cable core covered with mylar binder tape, 5-mil helical copper tape shield, inner jacket, aluminium interlocked armour, and overall CPE jacket.

Application:

For use in VFD applications, in exposed or concealed dry or wet locations, in ventilated or ladder stype cable trays in dry or wet conditions, on walls or beams, or directly buried.

Suitable for use in hazardous locations: Class I - Groups A, B, C and D;
Class II - Groups E, F, and G; Class III - All Groups

*Patented for use with ServiceDrive® connector and termination kit.

Standards:

UL 1569
C(UL) Teck90: UL Listed/C(UL): Certified by UL for use in Canada
ICEA S-95-658/NEMA WC-70
Flame Rated: IEEE 383 (70,000 BTU), ICEA T-29-520 (210,000 BTU),
IEEE 1202/CSA FT-4, Two-hour Firewall
Temperature Rated at 90°C Wet/Dry, Cold Temperature Rated at -40°C
Sunlight and Oil Resistant II Jacket
Direct Burial (*includes encasement in concrete*)
Colour Code: Method 4 (*other colour codes available*)
RoHS Compliant

*U.S. Patent No. 7,309,835

Part Number	Size (AWG or Kcmil)	Strand (no.)	Insulation Thickness (mils)	Grounding Conductors (AWG)	CPE Jacket Thickness Inner (mils)	CPE Jacket Thickness Outer (mils)	Diameter Inner Jacket (in.)	Diameter Armor (in.)	Approx. Diameter Overall (in.)	Approx. Net Weight (lb./1000')	Ampacity** (30°C ambient) 90°C Wet/Dry
VFD2KCAAC14/3	14	7	60	(3) #14	50	50	0.53	0.73	0.83	366	25
VFD2KCAAC12/3	12	7	60	(3) #14	50	50	0.57	0.77	0.87	413	30
VFD2KCAAC10/3	10	7	60	(3) #14	50	50	0.62	0.83	0.93	477	40
VFD2KCAAC8/3	8	7	80	(3) #14	50	50	0.77	0.97	1.07	630	55
VFD2KCAAC6/3	6	7	85	(3) #12	50	50	0.87	1.07	1.17	847	75
VFD2KCAAC4/3	4	7	85	(3) #12	50	50	0.98	1.23	1.33	1,077	95
VFD2KCAAC3/3	3	7	85	(3) #10	50	50	1.03	1.31	1.41	1,283	115
VFD2KCAAC2/3	2	7	85	(3) #10	50	50	1.09	1.37	1.47	1,464	130
VFD2KCAAC1/3	1	19	105	(3) #10	50	60	1.25	1.51	1.63	1,803	145
VFD2KCAAC1/03	1/0	19	105	(3) #10	50	60	1.34	1.61	1.73	1,899	170
VFD2KCAAC2/03	2/0	19	105	(3) #10	50	60	1.43	1.71	1.83	2,438	195
VFD2KCAAC3/03	3/0	19	105	(3) #8	50	60	1.54	1.81	1.93	2,913	225
VFD2KCAAC4/03	4/0	19	105	(3) #8	60	60	1.68	1.95	2.07	3,481	260
VFD2KCAAC250/3	250	37	120	(3) #8	60	60	1.82	2.09	2.21	3,973	290
VFD2KCAAC300/3	300	37	120	(3) #6	60	75	2.01	2.29	2.44	4,781	320
VFD2KCAAC350/3	350	37	120	(3) #6	60	75	2.03	2.31	2.46	5,281	350
VFD2KCAAC400/3	400	37	120	(3) #6	60	75	2.21	2.47	2.62	5,919	380
VFD2KCAAC500/3	500	37	120	(3) #6	60	75	2.30	2.57	2.72	6,970	430
VFD2KCAAC600/3	600	61	135	(3) #6	75	75	2.66	2.93	3.08	8,382	475
VFD2KCAAC750/3	750	61	135	(3) #4	75	85	2.87	3.17	3.34	10,250	535

**Per NEC Table 310.15 (B)(16). NOTE: The data shown is approximate and subject to standard industry tolerances.