



FL5A-LED150

LED Flood Light



SPECIFICATIONS*

Watts	150
Lumens	20,680
Efficacy	138.23
Replaces Up To	400W MH
Colour Temp	4K*, 5K
Certification	cULus, DLC
Operating Temp	-40°C to +40°C
Voltage	120-277*, 347
LED Life	100,000 hours
Housing Material	Aluminum
Lens Material	Polycarbonate
Beam Pattern	T2 - TYPE 2/7HX6V, T3 - TYPE 3/7HX7V, T4 - TYPE 4/7HX7V, T5 - ELONGATED TYPE 5/7HX6V*
Total Harmonic Distortion	15
Power Factor	0.9



Mounting Options

Yoke, Slipfit, Wall mount, round and square pole mount

*Standard



DESCRIPTION

The FLA-LED fixtures are high efficacy DLC Premium floods/area lights at an approx efficacy of 140 lumens/watt. These fixtures have a universal mounting system that allows you to order the fixture separately with your choice of mounting system.

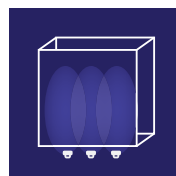
APPLICATIONS



Building
Facades



Parking
Lots



Wall Wash
Applications

FEATURES

- Rugged in construction - die cast aluminum housing, polycarbonate lens, IP65 rated for outdoors
- T2 - Type 2/7HX6V, T3 - Type 3/7HX7V, T4 - Type 4/7HX7V, T5 - Elongated Type 5/7HX6V* beam distributions available.
- 0-10V dimming driver is standard

*The above specs apply to the standard product configuration. For spec information on other product configurations please see page 2.

NOTE: Not all of our product configurations are qualified on the DLC QPL. To view all of our DLC qualified products please visit the DLC qualified products list at www.designlights.org/qpl.

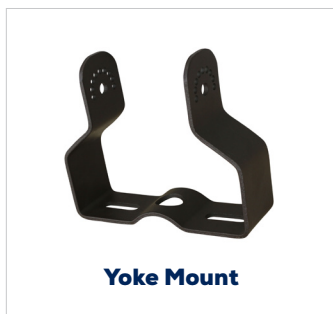
OTHER MODEL SPECIFICATIONS

MODEL DESCRIPTION	VOLTAGE (V)	INPUT POWER (W)	LIGHT OUTPUT	EFFICACY (Lm/W)	THD	PF	BUG RATING
FL5A-LED150-B-4K-T5-XXX-DIM	120-277V	149.60	20680	138.23	15	0.9	B4-U0-G3
FL5A-LED150-B-4K-T2-XXX-DIM	120-277V	149.60	19630	131.22	15	0.9	B3-U0-G3
FL5A-LED150-B-4K-T3-XXX-DIM	120-277V	149.60	20680	138.23	15	0.9	B3-U0-G3
FL5A-LED150-B-4K-T4-XXX-DIM	120-277V	147.50	19418	131.65	12.72	0.944	B3-U0-G3
FL5A-LED150-B-5K-T5-XXX-DIM	120-277V	149.60	20680	138.23	15	0.9	B4-U0-G3
FL5A-LED150-B-5K-T2-XXX-DIM	120-277V	149.60	19889	132.95	15	0.9	B3-U0-G3
FL5A-LED150-B-5K-T3-XXX-DIM	120-277V	149.60	20680	138.23	15	0.9	B3-U0-G3
FL5A-LED150-B-5K-T4-XXX-DIM	120-277V	147.50	19418	131.65	15	0.9	B3-U0-G3
FL5A-LED150-C-4K-T5-XXX-DIM	347V	154.90	21618	139.56	15	0.9	B4-U0-G3
FL5A-LED150-C-4K-T2-XXX-DIM	347V	154.90	20521	132.48	15	0.9	B3-U0-G3
FL5A-LED150-C-4K-T3-XXX-DIM	347V	154.90	21618	139.56	15	0.9	B3-U0-G3
FL5A-LED150-C-4K-T4-XXX-DIM	347V	154.90	20589	132.92	15	0.9	B3-U0-G3
FL5A-LED150-C-5K-T5-XXX-DIM	347V	154.90	21618	139.56	15	0.9	B4-U0-G3
FL5A-LED150-C-5K-T2-XXX-DIM	347V	154.90	20521	132.48	15	0.9	B3-U0-G3
FL5A-LED150-C-5K-T3-XXX-DIM	347V	154.90	21618	139.56	15	0.9	B3-U0-G3
FL5A-LED150-C-5K-T4-XXX-DIM	347V	154.90	20589	132.92	15	0.9	B3-U0-G3

LEGEND

B - 120V-277V, C - 347V
 4K - 4000K, 5K - 5000K
 T2 - TYPE 2/7HX6V, T3 - TYPE 3/7HX7V, T4 - TYPE 4/7HX7V, T5 - ELONGATED TYPE 5/7HX6V*
 XXX - HOUSING FINISH
 DIM - DIMMABLE

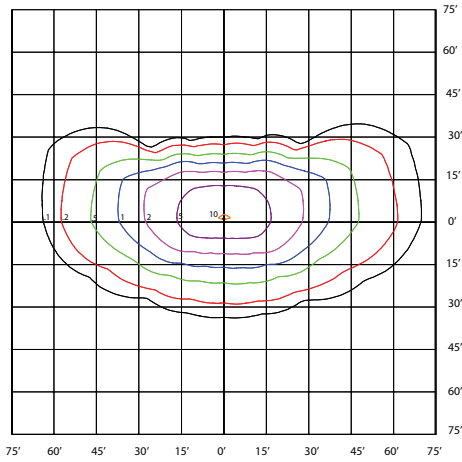
MOUNTING OPTIONS



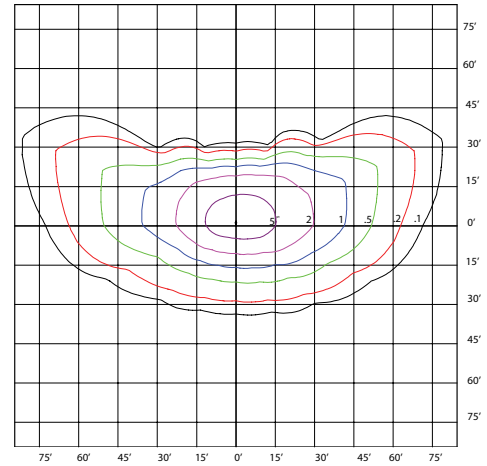
**To mount on a round pole, purchase the arm for the square pole/wall mount along with the round pole mount adaptor kit. Round pole adaptor kit works with 4", 5", and 6" diameter poles.

CANDELA PLOTS

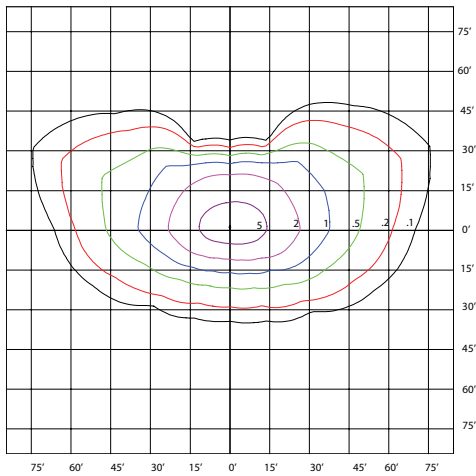
FLA5-LED150 TYPE II / 7H X 6V



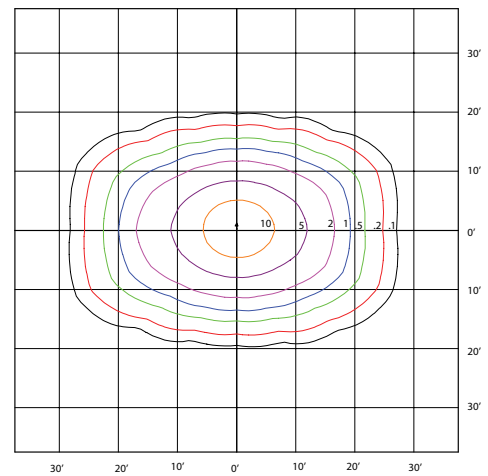
FLA5-LED150 TYPE III / 7H X 7V



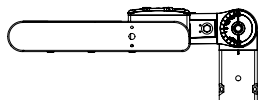
FLA5-LED150 TYPE IV / 7H X 7V



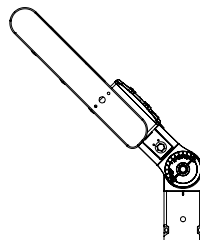
FLA5-LED150 TYPE V / 7H X 6V



EPA RATING



0° TILT:
0.67

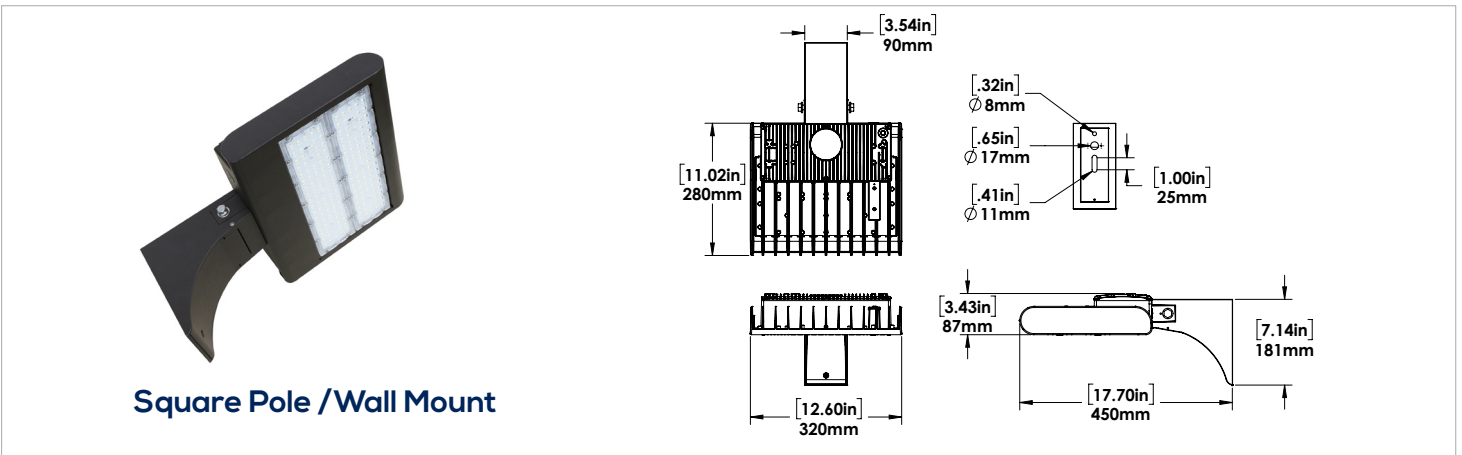
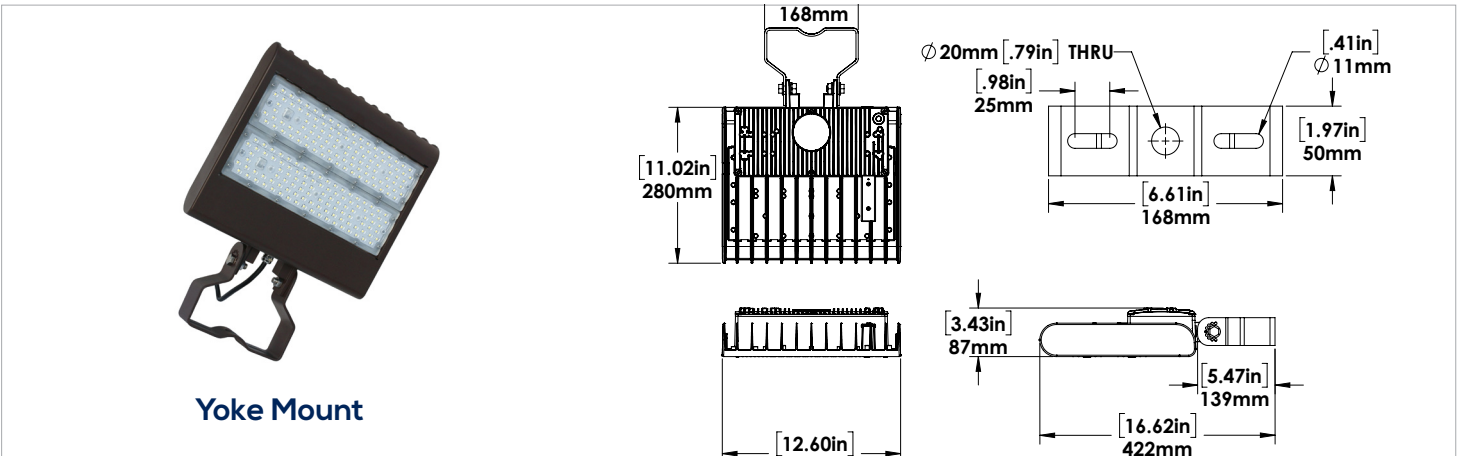
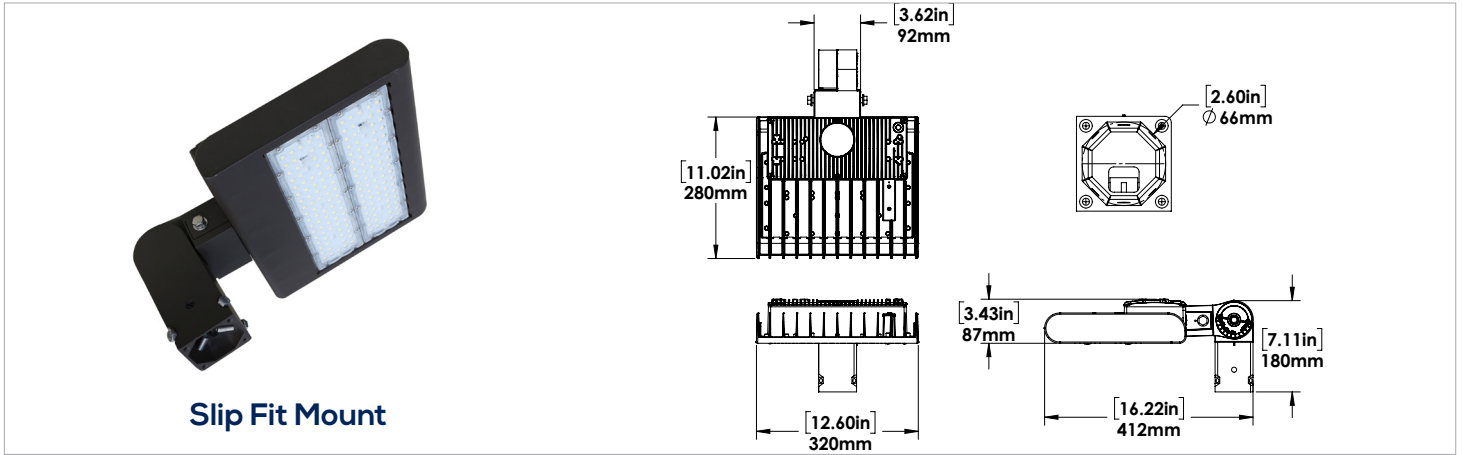


45° TILT:
1.19

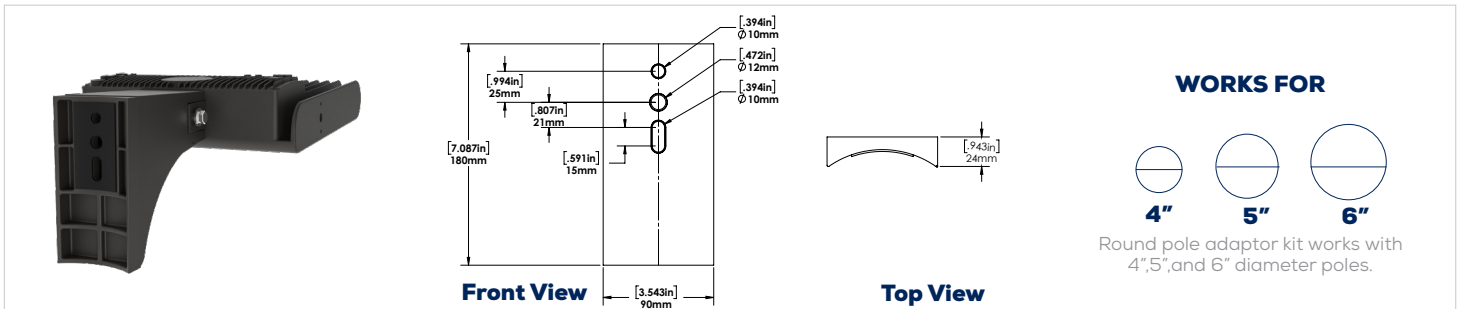


90° TILT:
1.63

DIMENSIONS



ROUND POLE ADAPTOR KIT
(order with Square pole/wall mount)**



**To mount fixture on a round pole, purchase the arm for the square pole/wall mount along with the round pole mount adaptor kit.

ORDERING GUIDE - Fill out steps 1 and 2 to complete your order.

1 STEP 1 - FILL OUT BASE FIXTURE ORDER

FL5A **LED150**

WATTS	VOLTAGE	COLOUR TEMP.	BEAM	FINISH	DRIVER	OPTIONS
	B - 120 - 277V*	5K - 5000K	T2 - TYPE 2 / 7HX6V	BRZ - BRONZE*	DIM - DIMMABLE DRIVER*	PC - PHOTOCELL
	C - 347V	4K - 4000K*	T3 - TYPE 3 / 7HX7V	CC - CUSTOM		
			T4 - TYPE 4 / 7HX7V			
			T5 - ELONGATED TYPE 5 / 7HX6V*			

2 STEP 2 - CHOOSE YOUR MOUNTING SYSTEM

MOUNTING SYSTEM - FIELD INSTALLED

CHECK THE MOUNTING SYSTEM YOU WISH TO ORDER:

- Yoke
- Slip fit for 2 3/8" tenon
- Arm for square pole/wall mount
- Round pole adaptor kit for 4", 5", 6" diameter poles**

****To mount fixture on a round pole, purchase the arm for the square pole/wall mount along with the round pole mount adaptor kit.**